

1

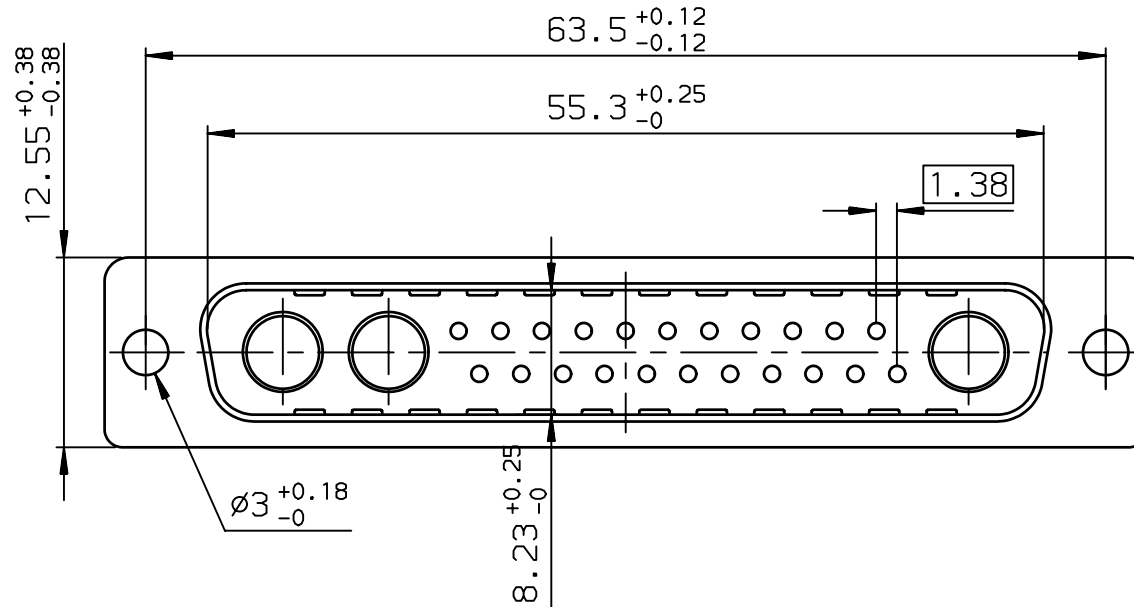
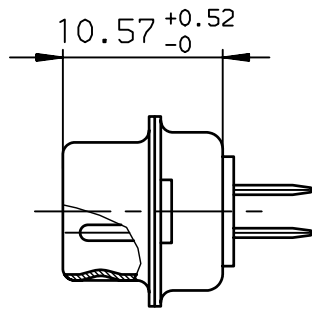
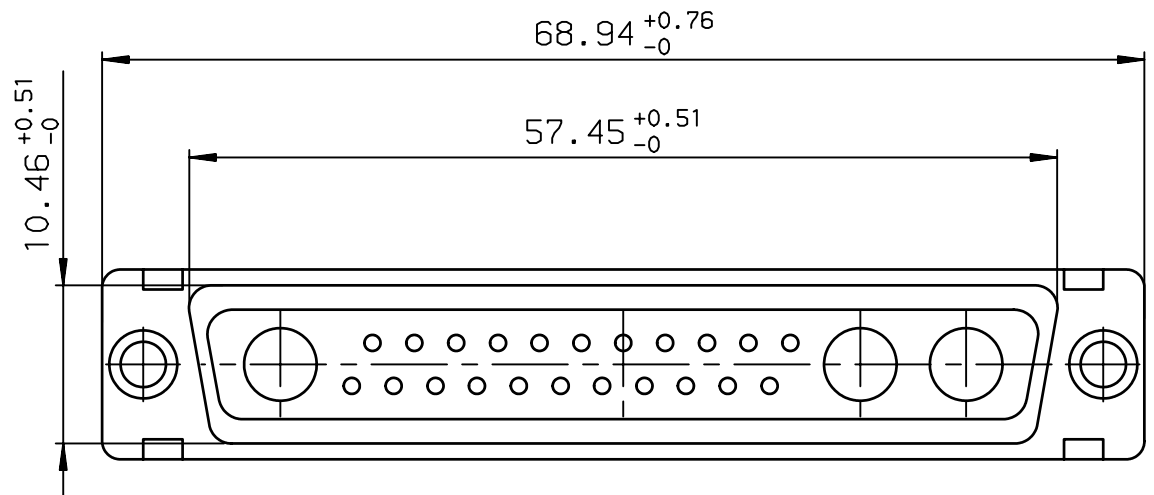
2

3

4

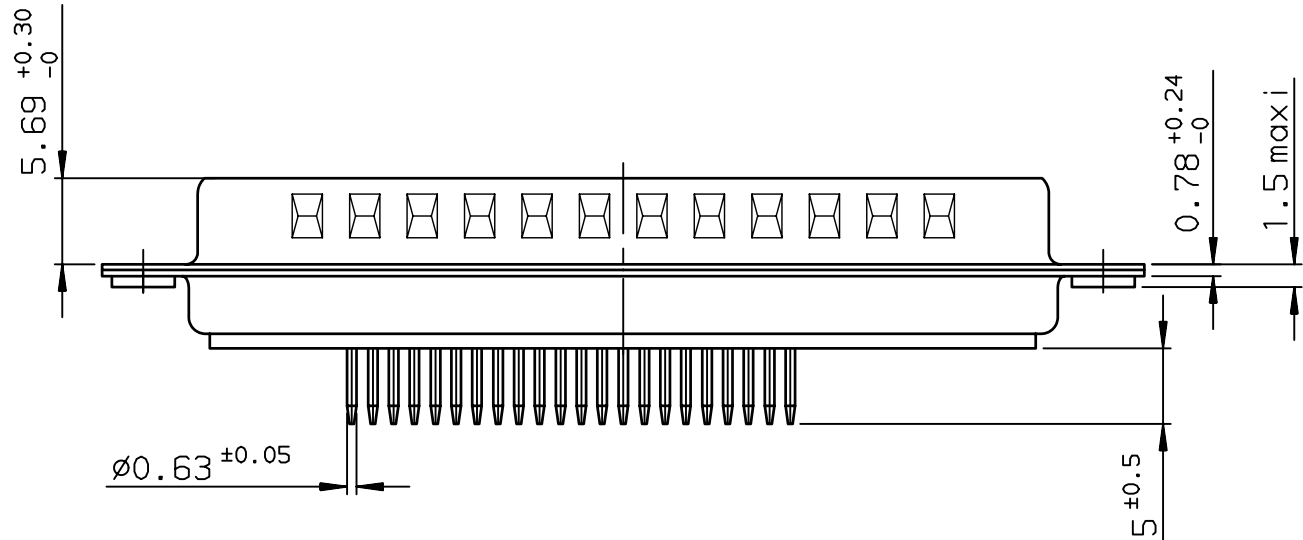
A

A



B

B

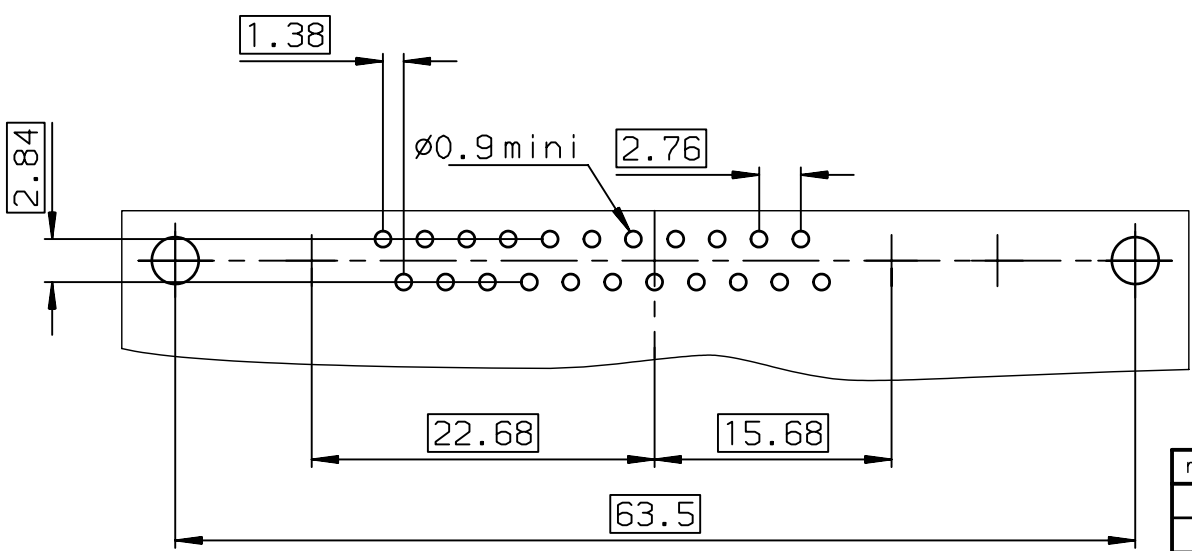


C

C

LAYOUT DIMENSIONS (after plating)
CONNECTOR SIDE VIEW

DC25W3P300A00LF
PART NUMBER



GENERAL CHARACTERISTICS AND ROHS INFORMATIONS:
SEE DRAWING C01-8639-0000

European Views

www.fciconnect.com		surface ISO 1302	tolerance std ISO 406 ISO 1101	projection 	mm
TOLERANCES UNLESS OTHERWISE SPECIFIED					
Dr	PESSON	2005/12/01	ANGULAR	0.X	±0.1
Eng	PESSON	2005/12/01	LINEAR	0.XX	±0.1
Chr	LEGARE	2005/12/01	0.XX'	0.XXX	±0.1
Appr	LEGARE	2005/12/01	Product family		D-SUB
title PIN CONNECTORS SUB D WITH STRAIGHT SPILLS				size A3	Scale 2
catalog no				ECN LS06-0095	Spec ref -
title SPILLS				ECN LS06-0095	Spec ref -
catalog no				ECN LS06-0095	Spec ref -
title PIN CONNECTORS SUB D WITH STRAIGHT SPILLS				ECN LS06-0095	Spec ref -
catalog no				ECN LS06-0095	Spec ref -
title SPILLS				ECN LS06-0095	Spec ref -
catalog no				ECN LS06-0095	Spec ref -

rev	ecn no	dr	date
A	LS05-0106	MPE	2005/12/01
B	LS06-0095	LGO	2006/06/16
-	-	-	-
-	-	-	-
-	-	-	-
-	-	-	-
-	-	-	-



Rev. B
C01-8639-2267
CUSTOMER sheet 1 of 1

Copyright FCI.
FCI

1

2

3