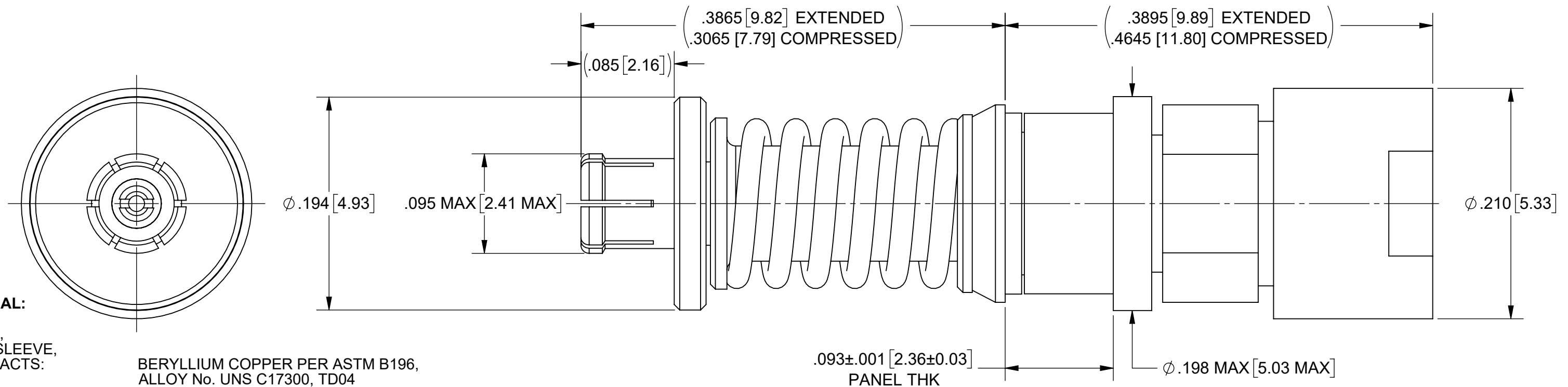


PRODUCT DATA DRAWING

REVISION HISTORY			
REV	DESCRIPTION	DATE	APPROVED
-	NRN 46233	08/21	SEE PDM



MATERIAL:
BODIES, INNER SLEEVE, & CONTACTS: BERYLLIUM COPPER PER ASTM B196, ALLOY No. UNS C17300, TD04

OUTER SLEEVE & CAP: STAINLESS STEEL PER AMS-5640, ALLOY UNS S30300, TYPE 1, OR ASTM A582, TYPE 303, CONDITION A.

INSULATORS: PTFE PER ASTM D1710, TYPE I, GRADE 1, CLASS B AND POLYETHERIMIDE (ULTEM 1000) PER ASTM D5205

SPRING: STAINLESS STEEL PER AMS-5678, ALLOY UNS S17700

RESISTOR ELEMENT: ALUMINUM NITRIDE SUBSTRATE WITH TANTALUM NITRIDE RESISTOR WITH GOLD PLATED TERMINALS

BELLOWS SPRING: ELECTRO-DEPOSITED NICKEL, GOLD PLATED

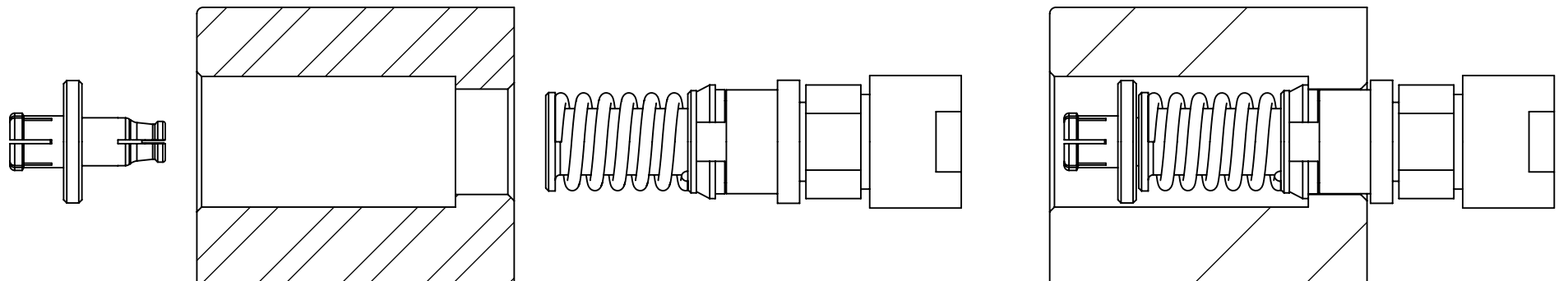
FINISH:
BODIES, INNER SLEEVE & CONTACTS: GOLD PER ASTM B488, TYPE II, CODE C, CLASS 1.27, OVER NICKEL PER AMS-QQ-N-290, CLASS 1, .00005" MIN.


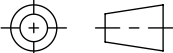
OUTER SLEEVE & CAP: PASSIVATED PER AMS-2700

SPRING: PASSIVATED PER ASTM A967

PERFORMANCE:
IMPEDANCE: 50 OHMS
FREQ. RANGE: DC TO 40.0 GHz

FOR USE IN VITA 67.3 BACKPLANE MODULE
 REMOVAL TOOL P/Ns 500-32-007 & 500-32-015



MATERIAL: SEE NOTES	DIMENSIONS ARE IN INCHES TOLERANCES: FRACTIONAL: ±1/64 ANGULAR: X° ±1'0" X'X' ±15'	UNLESS OTHERWISE SPECIFIED 1) ALL DIMENSIONS ARE IN INCHES (MILLIMETERS) 2) ALL DIMENSIONS ARE AFTER PLATING. 3) BREAK CORNERS & EDGES .005 R. MAX. 4) CHAM. 1ST & LAST THREADS. 5) SURFACE ROUGHNESS 63-MIL-STD-10. 6) DIA.'S ON COMMON CENTERS TO BE CONCENTRIC WITHIN .005 T.I.R. 7) REMOVE ALL BURRS	 Amphenol SV MICROWAVE www.svmicrowave.com
FINISH: SEE NOTES	DECIMAL: X ±.030 .XX ±.010 .XXX ±.005 INTERPRET DIMENSIONS AND TOLERANCES PER ASME Y14.5M - 1994		
SURFACE AREA: N/A	THIRD ANGLE PROJECTION	DRAWN: JPM 08/24/21	TITLE: VITA 67.3 BACKPLANE 1/2 WATT TERMINATION
PROPRIETARY THE INFORMATION CONTAINED IN THIS DRAWING IS THE SOLE PROPERTY OF SV MICROWAVE, INC. ANY REPRODUCTION IN PART OR AS A WHOLE WITHOUT THE WRITTEN PERMISSION OF SV MICROWAVE, INC IS PROHIBITED.		CHECKED: SEE PDM	SIZE DWG. NO.: B 8032-4025
		APPROVED: SEE PDM	SCALE: 11:1 SHEET 1 OF 1