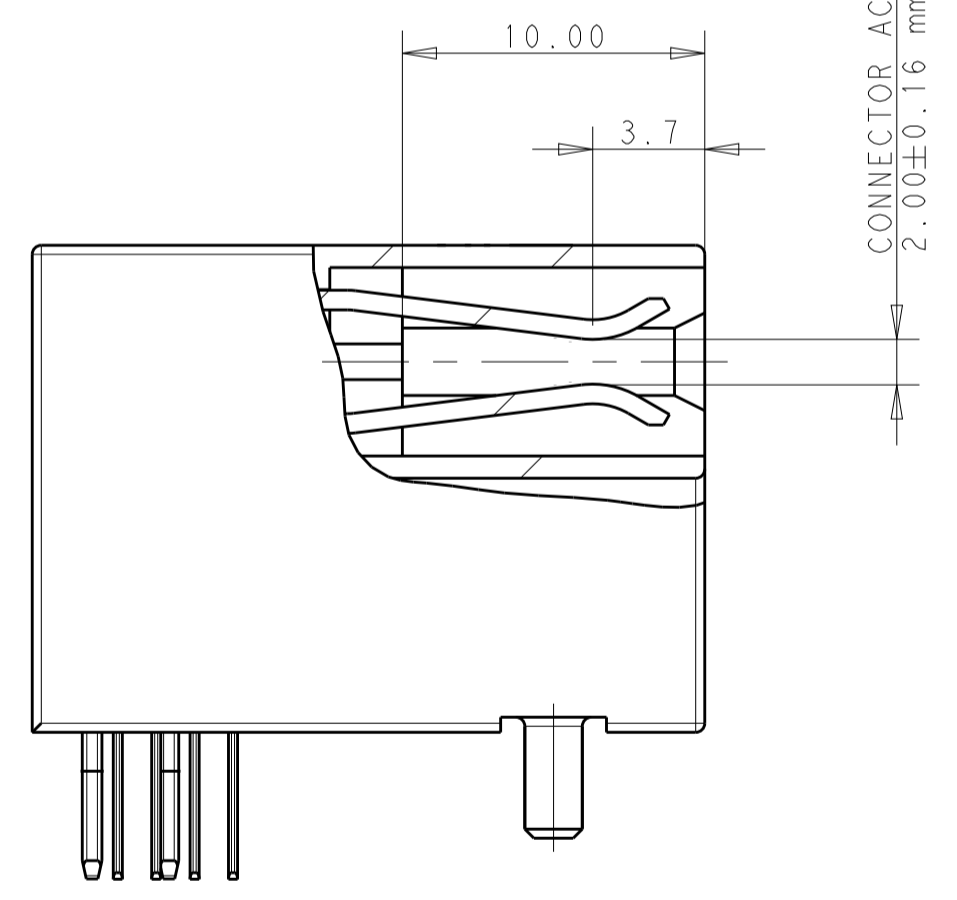
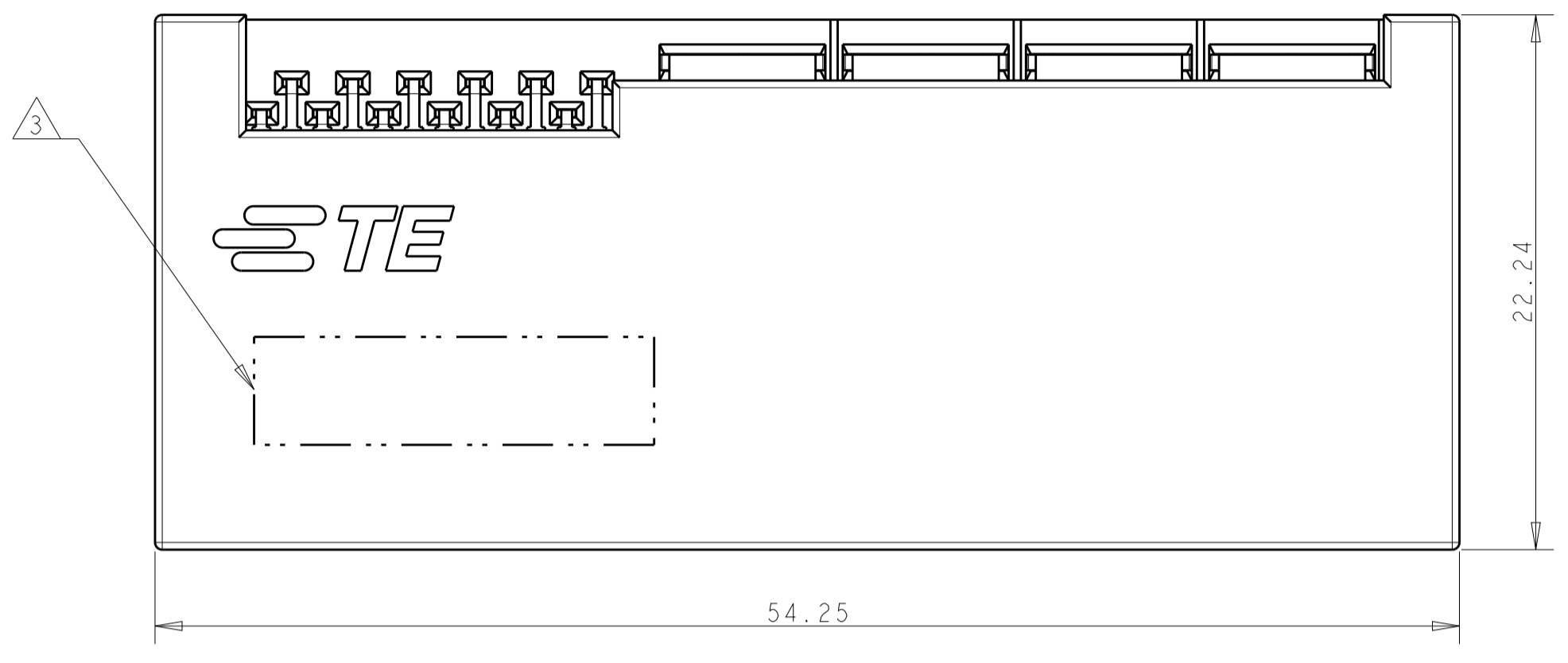
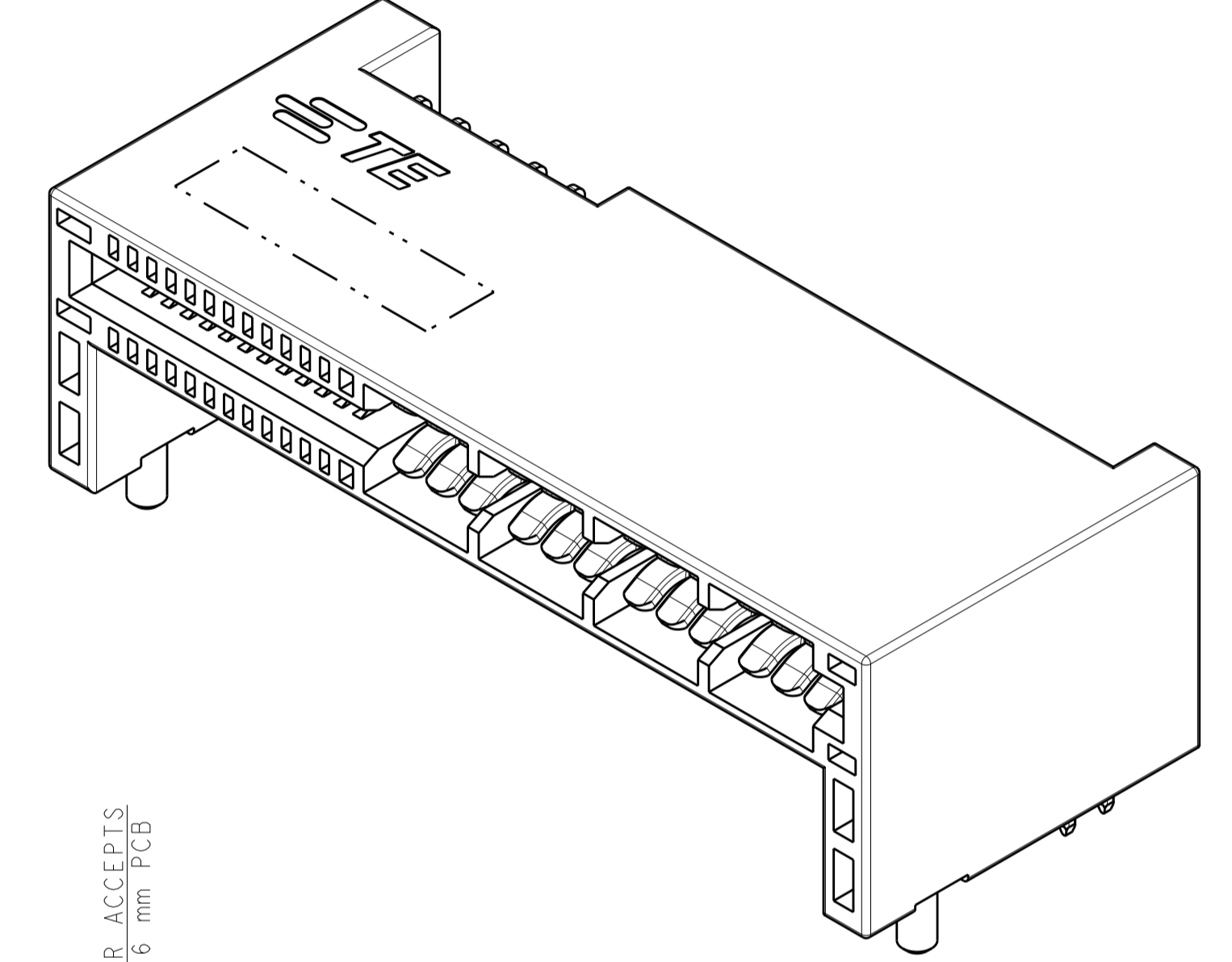


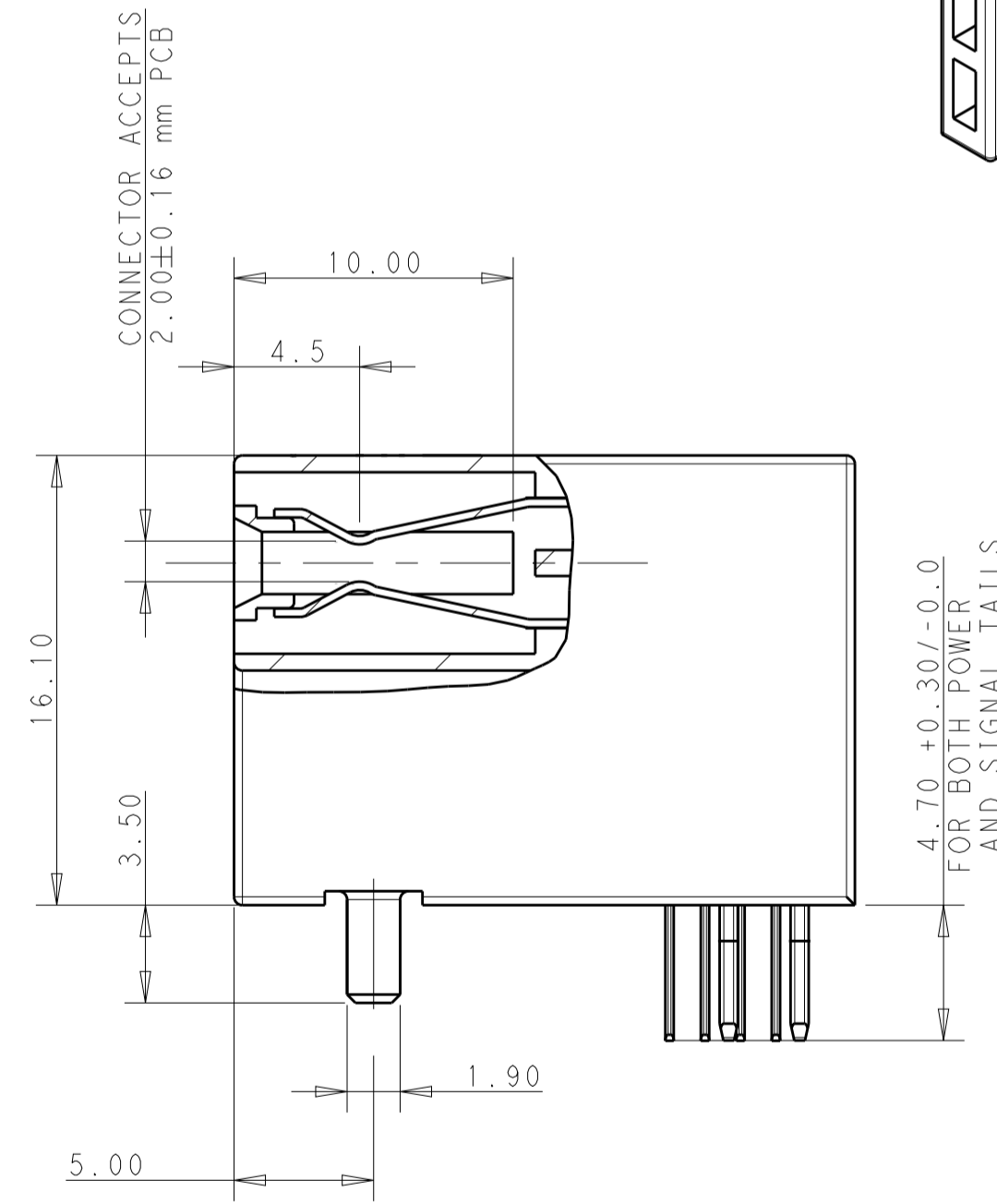
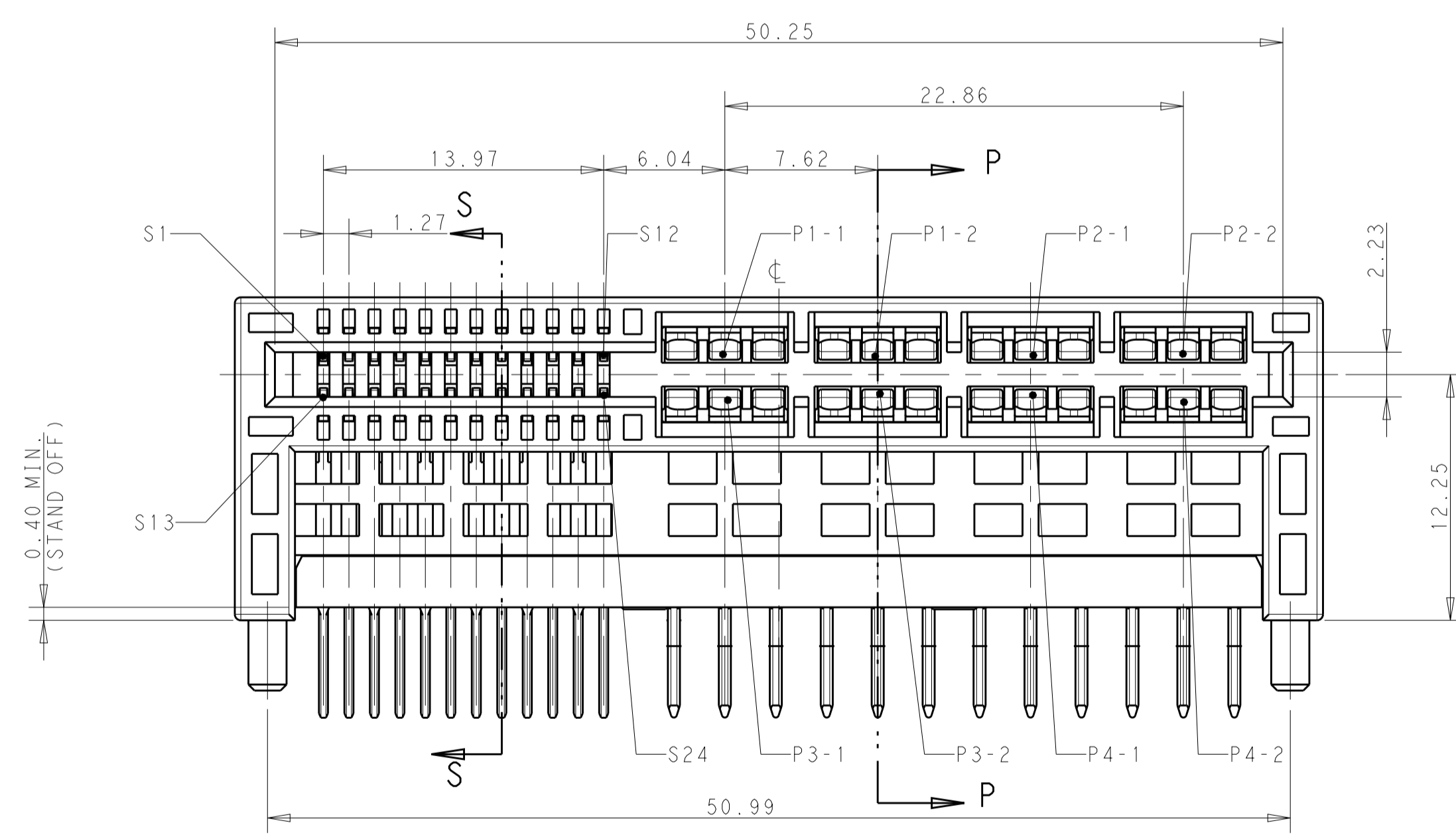
REVISIONS				
P	LTM	DESCRIPTION	DATE	APVD
A		FIRST RELEASE	18 JUN 2020	SZ SZ

- NOTES, UNLESS OTHERWISE SPECIFIED
- 1. MATERIAL:
    - HOUSING - THERMOPLASTIC, GLASS PREINFORCED, COLOR, BLACK, UL 94V-0
    - CONTACTS - COPPER ALLOY.
  - 2. FINISH:
    - MATING AREA - NOBLE METAL OVERALL NICKEL.
    - SOLDER TAIL - MATTE TIN OVERALL NICKEL.
  - 3. MARK P/N AND DATA CODE IN APPROX. AREA AS SHOWN.
  - 4. DETERMINED BY CUSTOMER.
  - 5. IR REFLOW COMPATIBLE:
    - TIME OVER LIQUIDUS(217°C): 60 TO 150S
    - PEAK TEMP.: 260+0/-5°C
    - TIME WITHIN 5°C OF PEAK: 20 TO 40S



SECTION P-P

CONNECTOR ACCEPTS  
2.00±0.16 mm PCB

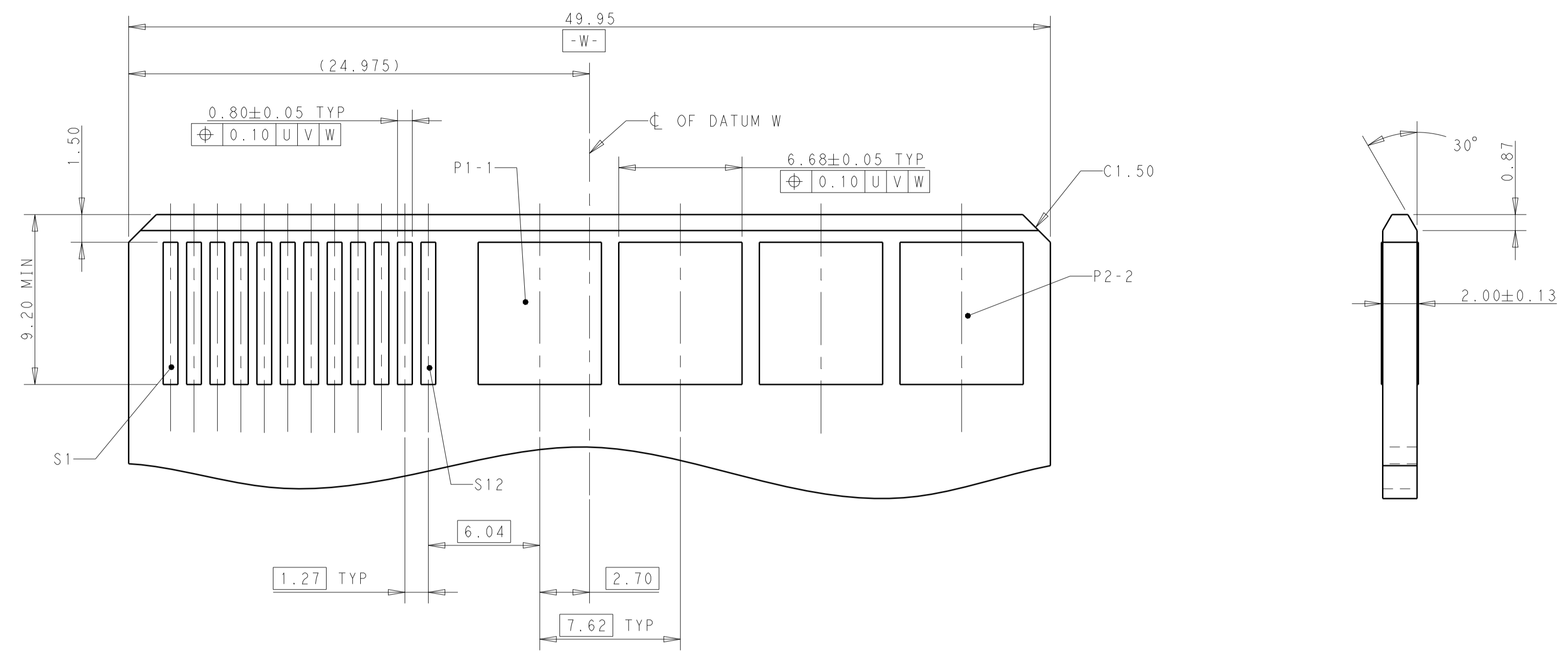


SECTION S-S

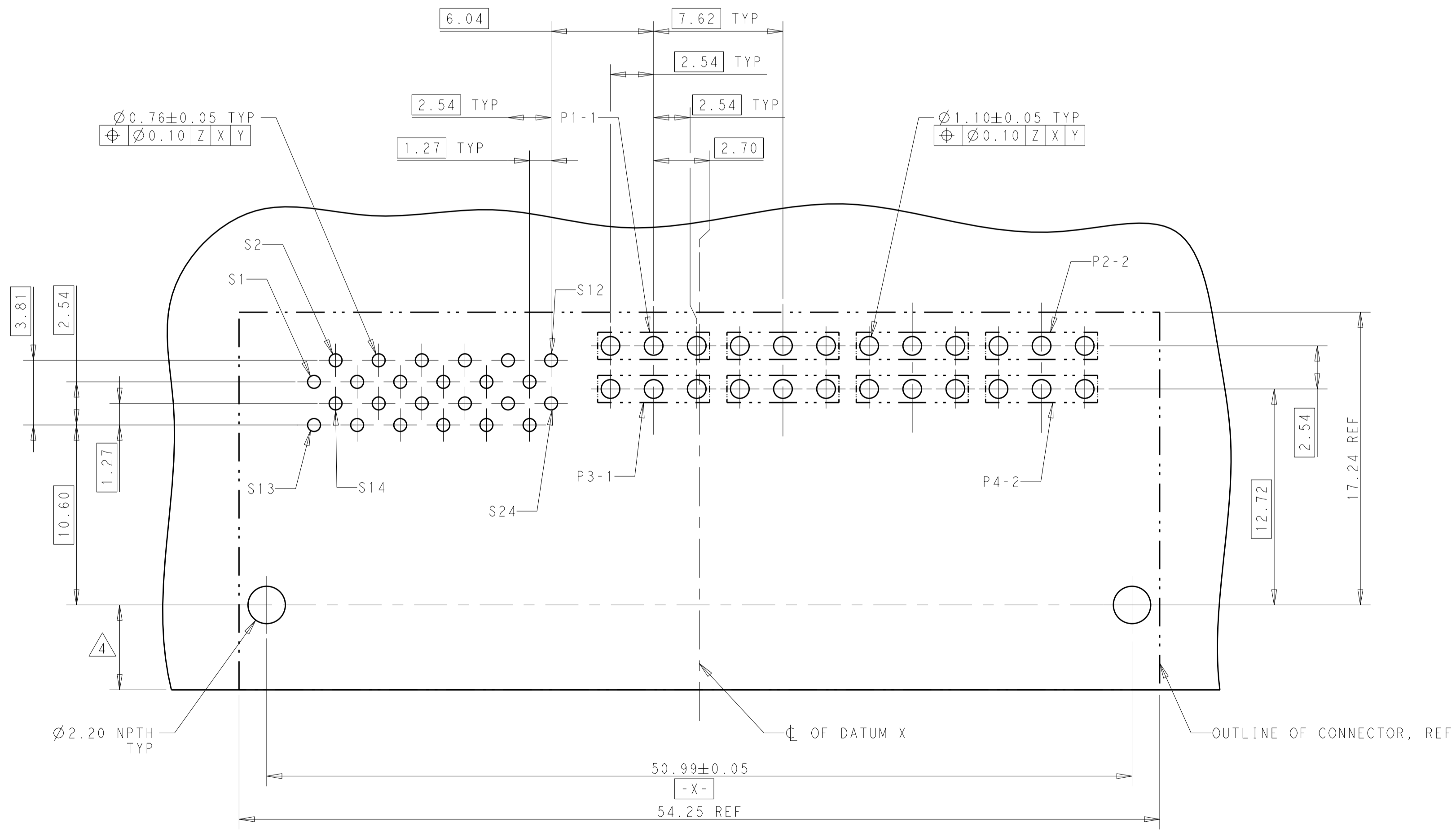
PART NUMBER 2363332-1

THIS DRAWING IS A CONTROLLED DOCUMENT.		OWN: SEAN ZHANG 24SEP2019	TE Connectivity	
DIMENSIONS: mm		CHK: -	NAME: HEIGHTEN RA POWER CARD EDGE 2x4P-2X12S	
TOLERANCES UNLESS OTHERWISE SPECIFIED:		APVD: -	PRODUCT SPEC: 108-128108	
0 PLC ±0.50		APPLICATION SPEC: -		
P PLC ±0.25		SIZE: A1		
S PLC ±		CAGE CODE: -		
4 PLC ±		DRAWING NO: 2363332		
ANGLES ±		RESTRICTED TO: -		
FINISH: -		SCALE: NTS		
MATERIAL: -		SHEET 1 OF 2		
CUSTOMER DRAWING		REV A		

REVISIONS				
P.	LTN	DESCRIPTION	DATE	APVD
-	-	SEE SHEET 1	-	-



RECOMMENDED MATING BOARD EDGE CONFIGURATION



RECOMMENDED MOUNTING BOARD CONFIGURATION LAYOUT VIEW FROM COMPONENT SIDE

THIS DRAWING IS A CONTROLLED DOCUMENT.		OWN: SEAN ZHANG	DATE: 24SEP2019	TE Connectivity
DIMENSIONS: mm		CHK: -	APVD: -	
TOLERANCES UNLESS OTHERWISE SPECIFIED: 0 PLC ± 1 PLC ±0.10 2 PLC ±0.05 3 PLC ± 4 PLC ± ANGLES ±		PRODUCT SPEC: - APPLICATION SPEC: - WEIGHT: -		NAME: HEIGHTEN RA POWER CARD EDGE 2x4P-2X12S
MATERIAL: TBD	FINISH: -	SIZE: A1 CAGE CODE: - DRAWING NO: C=2363332		RESTRICTED TO: - SCALE: NTS SHEET: 2 OF 2 REV: A
CUSTOMER DRAWING				