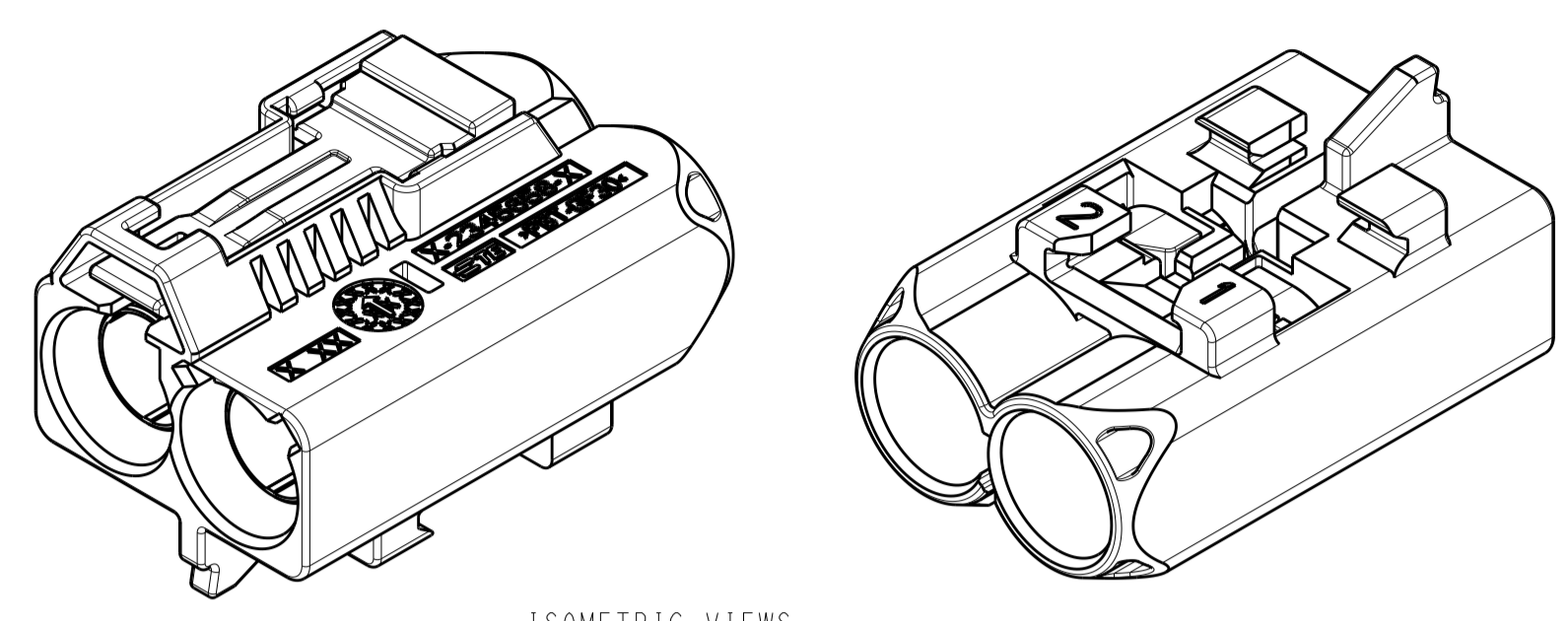
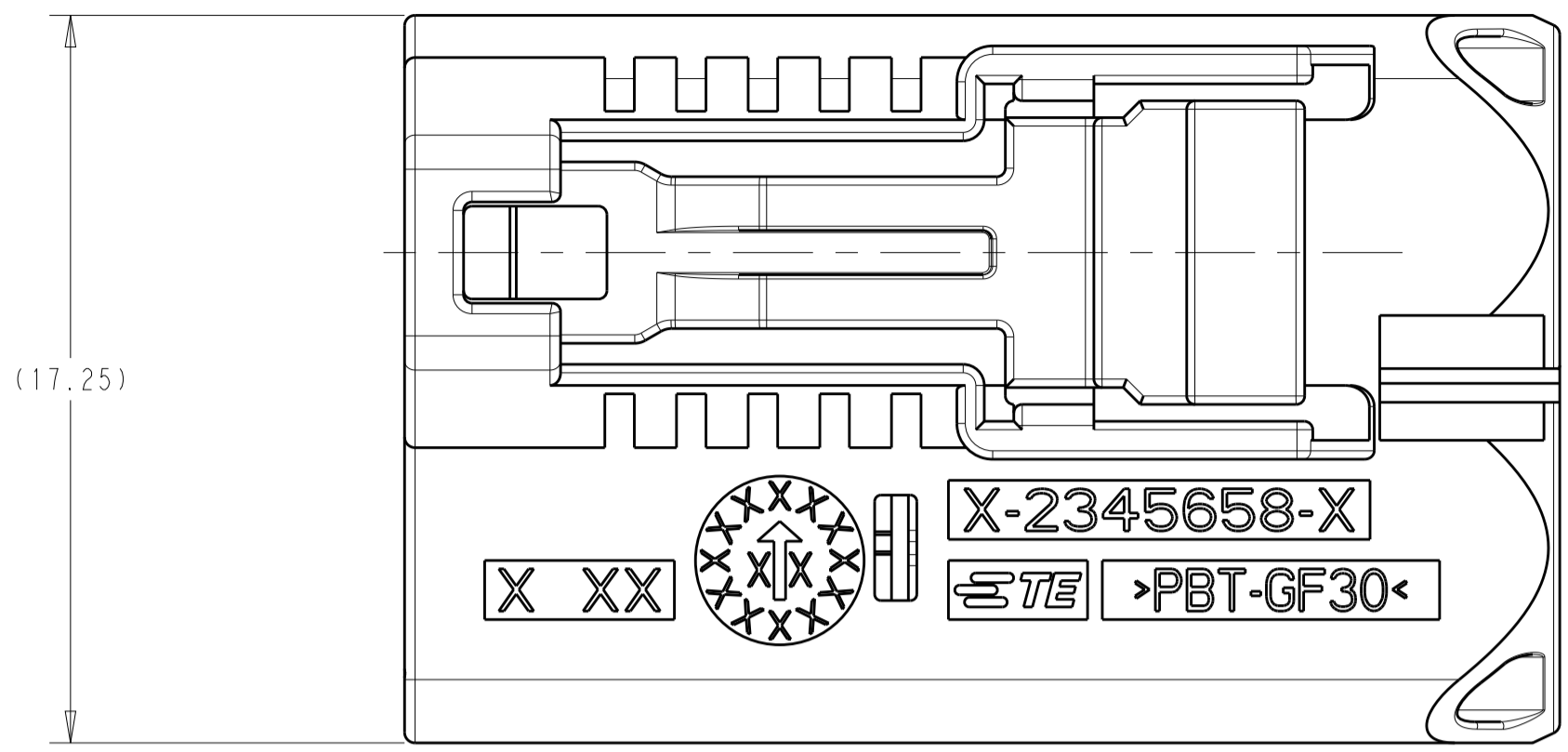
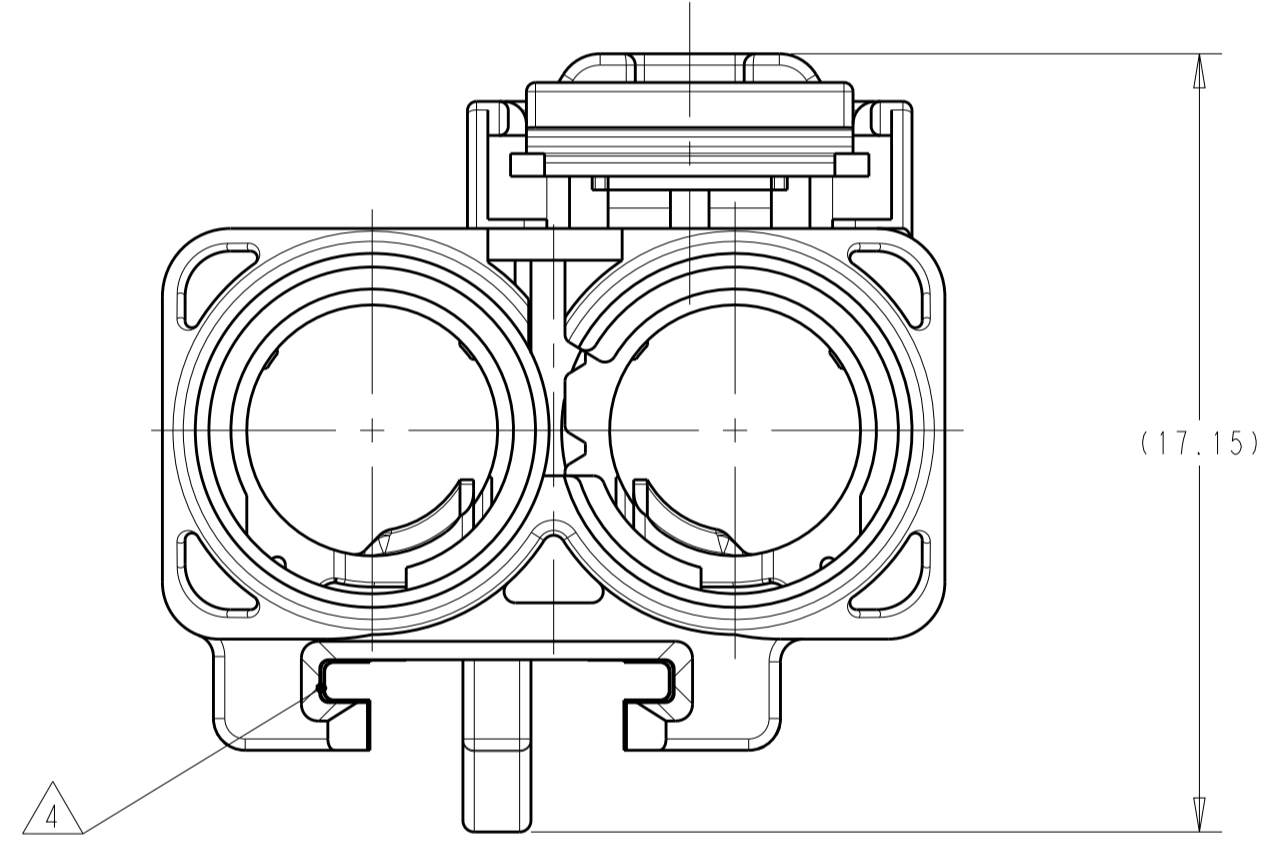
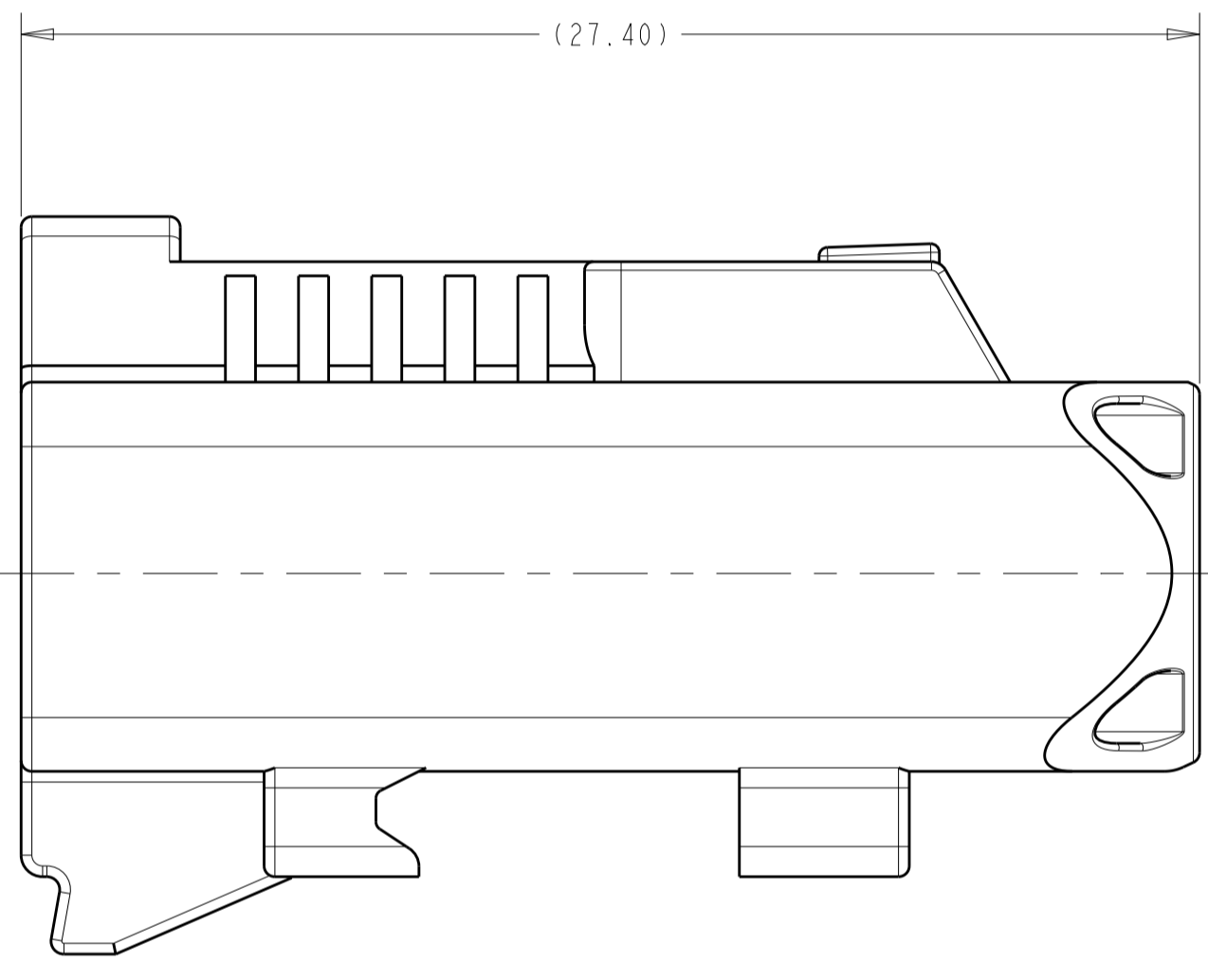
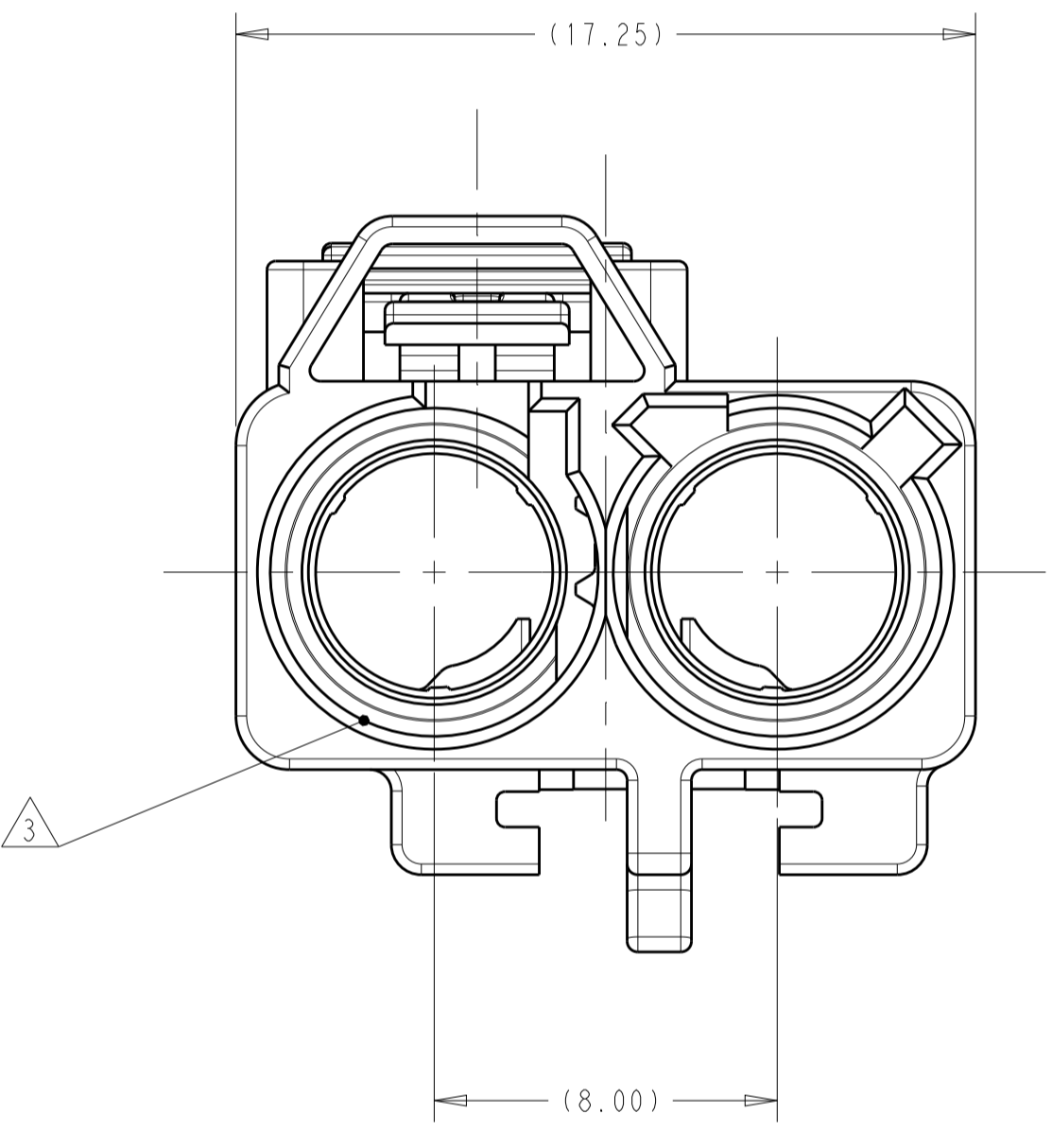


| REVISIONS | | | | |
|-----------|-----|----------------------------|-----------|--------|
| P | LTN | DESCRIPTION | DATE | APVD |
| 1 | | INITIAL DRAWING | 08JUL2019 | JMS NE |
| A | | RELEASED PER ECO-19-013783 | 06SEP2019 | KF NE |



ISOMETRIC VIEWS
SCALE 3:1

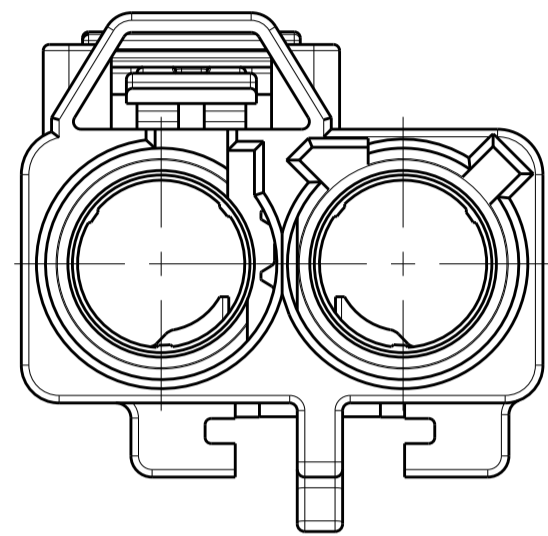


- 1. 2345658-1 AS SHOWN.
- 2 MATERIAL, POLYESTER PBT, COLOR SEE TABLE.
- 3 FEMALE INTERFACE PER ISO-20860-1, ISO-20860-2, SAE/USCAR-17, SAE/USCAR-18.
- 4 STANDARD 7mm CLIP SLOT EWCAP-005-7.

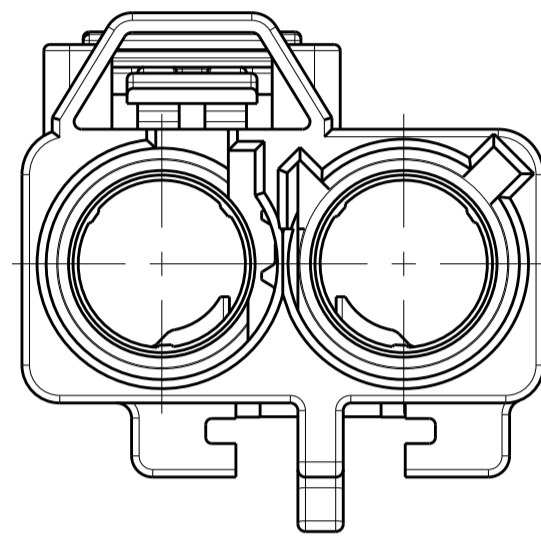
| | | | |
|----------|--------------|----------------|-------------|
| Z | PER DETAIL Z | WATER BLUE | 2-2345658-0 |
| N | PER DETAIL N | PASTEL GREEN | 1-2345658-3 |
| M | PER DETAIL M | PASTEL ORANGE | 1-2345658-2 |
| L | PER DETAIL L | CARMINE RED | 1-2345658-1 |
| K | PER DETAIL K | CURRY | 1-2345658-0 |
| I | PER DETAIL I | BEIGE | 2345658-9 |
| H | PER DETAIL H | HEATHER VIOLET | 2345658-8 |
| G | PER DETAIL G | BLUE GREY | 2345658-7 |
| F | PER DETAIL F | NUT BROWN | 2345658-6 |
| E | PER DETAIL E | LEAF GREEN | 2345658-5 |
| D | PER DETAIL D | CLARET VIOLET | 2345658-4 |
| C | PER DETAIL C | SIGNAL BLUE | 2345658-3 |
| B | PER DETAIL B | CREAM | 2345658-2 |
| A | PER DETAIL A | JET BLACK | 2345658-1 |
| KEY CODE | KEYING | CODING COLOR | PART NUMBER |

| | | | |
|--|---|--|-----------------|
| THIS DRAWING IS A CONTROLLED DOCUMENT. | | DWN J. SHIRK 08JUL2019 CHK N. EVANS 08JUL2019 APVD N. EVANS 08JUL2019 | TE Connectivity |
| DIMENSIONS: mm | TOLERANCES UNLESS OTHERWISE SPECIFIED: 0 PLC ± 1 PLC ± 2 PLC ± 3 PLC ± 4 PLC ± ANGLES ±1° FINISH | NAME FEMALE HOUSING, CLIP SLOT, 2 POSITION, 8.0mm CENTERLINE, 180 DEGREE, FAKRA PRODUCT SPEC 108-32137 APPLICATION SPEC 114-32145 SIZE CAGE CODE DRAWING NO WEIGHT - CUSTOMER DRAWING | |

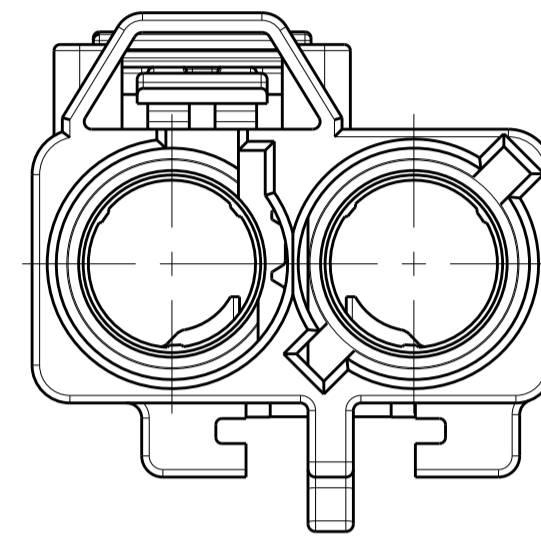
| REVISIONS | | | | |
|-----------|-----|-------------|------|------|
| P. | LTN | DESCRIPTION | DATE | APVD |
| - | | SEE SHEET 1 | - | - |
| | | | | |
| | | | | |



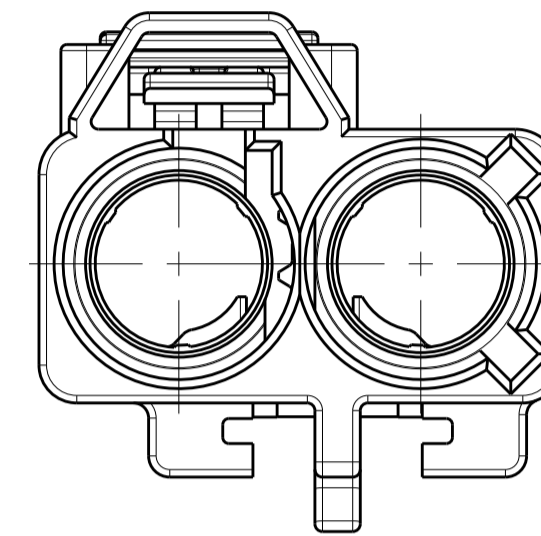
DETAIL A
SCALE 4:1



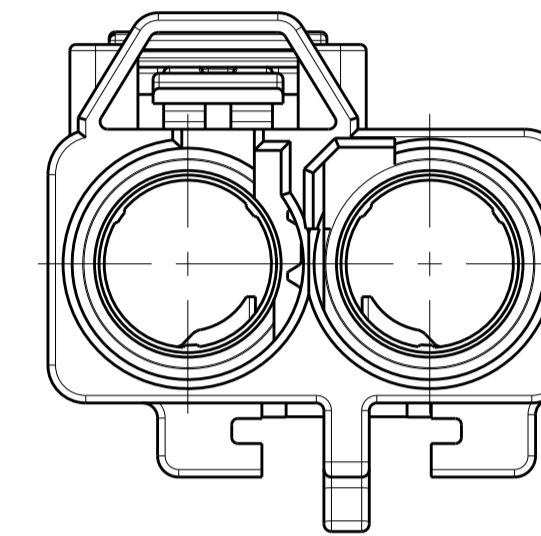
DETAIL B
SCALE 4:1



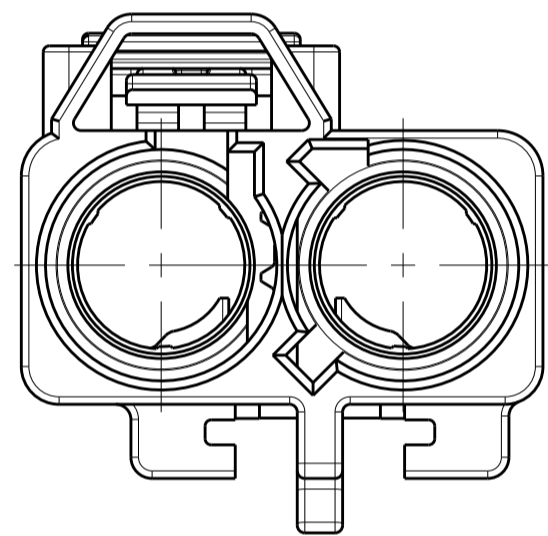
DETAIL C
SCALE 4:1



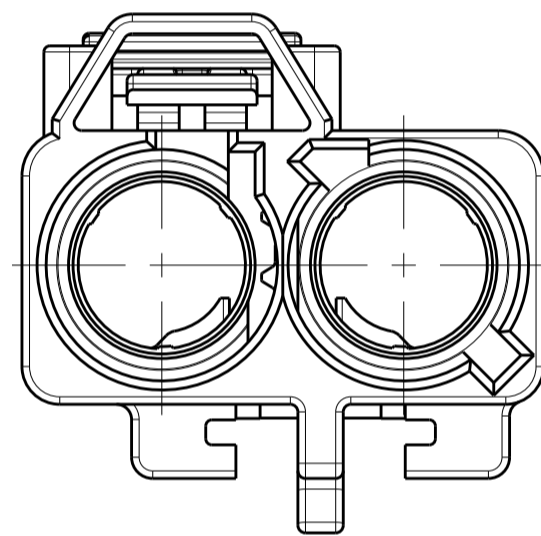
DETAIL D
SCALE 4:1



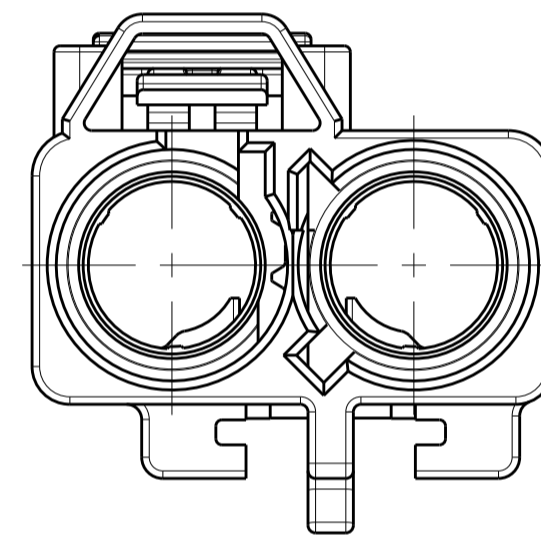
DETAIL E
SCALE 4:1



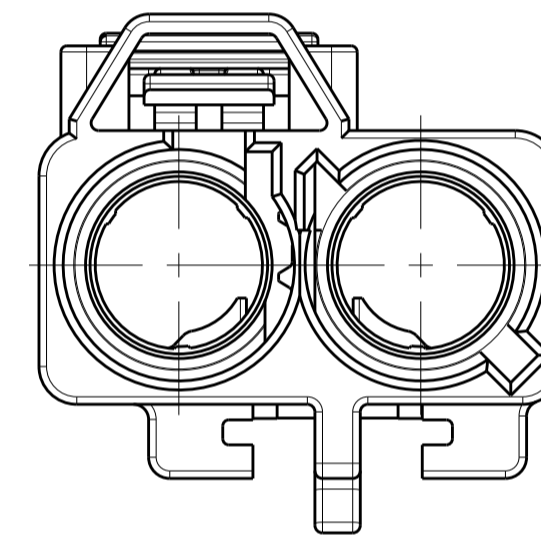
DETAIL F
SCALE 4:1



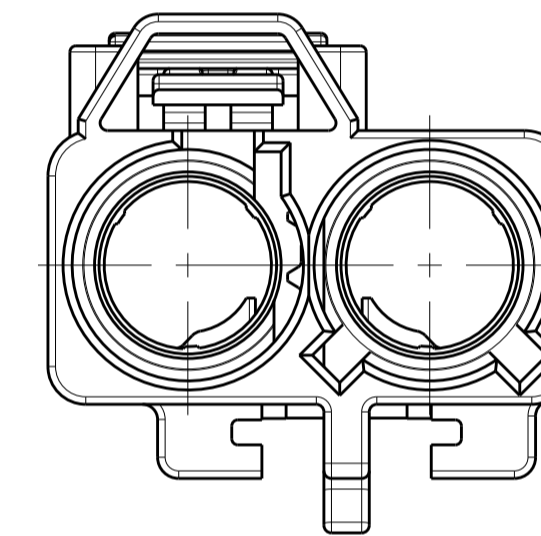
DETAIL G
SCALE 4:1



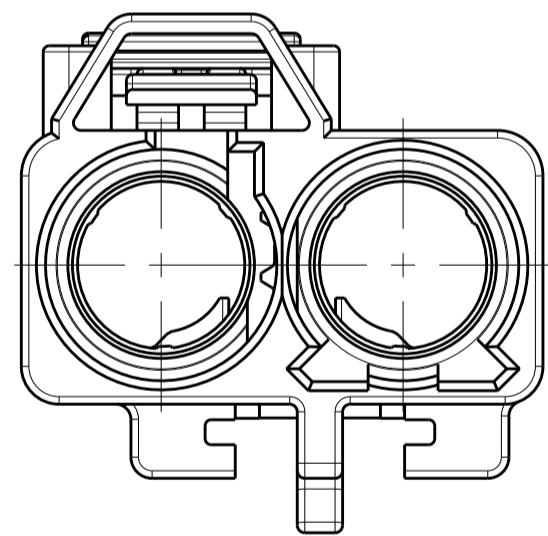
DETAIL H
SCALE 4:1



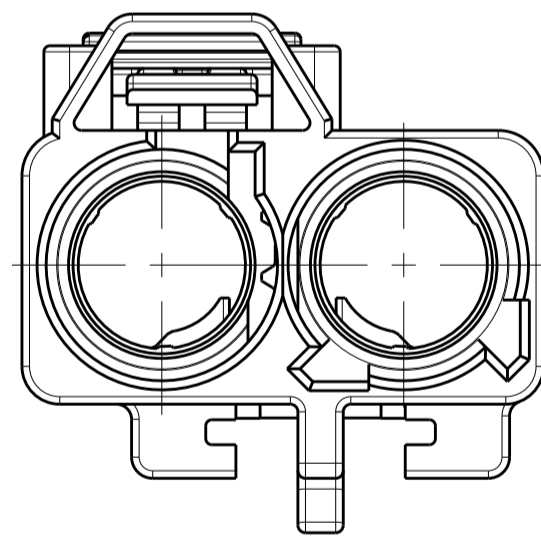
DETAIL I
SCALE 4:1



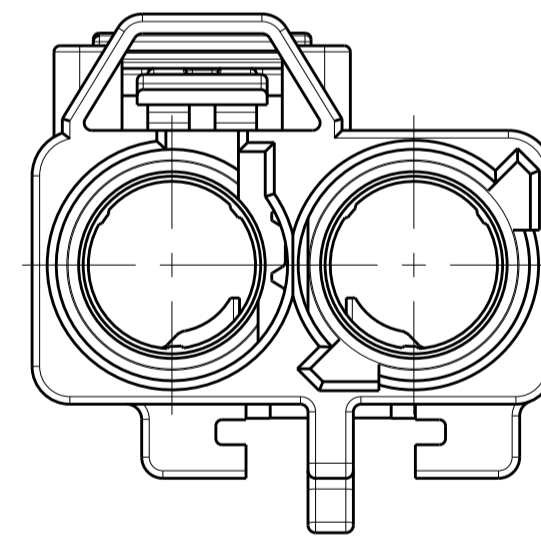
DETAIL K
SCALE 4:1



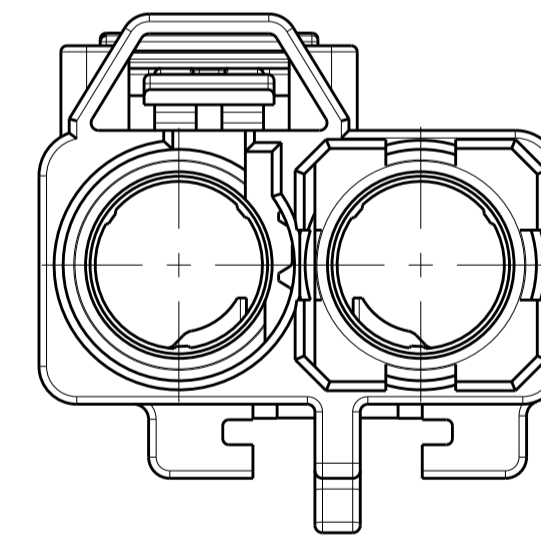
DETAIL L
SCALE 4:1



DETAIL M
SCALE 4:1



DETAIL N
SCALE 4:1



DETAIL Z
SCALE 4:1

| | | | |
|--|------------|-----------------------------|--|
| THIS DRAWING IS A CONTROLLED DOCUMENT. | | OWN: J. SHIRK 08JUL2019 | |
| DIMENSIONS: mm | | CHK: N. EVANS 08JUL2019 | |
| TOLERANCES UNLESS OTHERWISE SPECIFIED: | | APVD: N. EVANS 08JUL2019 | NAME: FEMALE HOUSING, CLIP SLOT, 2 POSITION, 8.0mm CENTERLINE, 180 DEGREE, FAKRA |
| 0 PLC ± | 1 PLC ± | PRODUCT SPEC: 108-32137 | RESTRICTED TO: - |
| 2 PLC ± | 3 PLC ± | APPLICATION SPEC: 114-32145 | SCALE: 5:1 |
| 4 PLC ± | ANGLES ±1° | WEIGHT: - | SHEET 2 OF 2 |
| MATERIAL: - | FINISH: - | CUSTOMER DRAWING | REV: A |