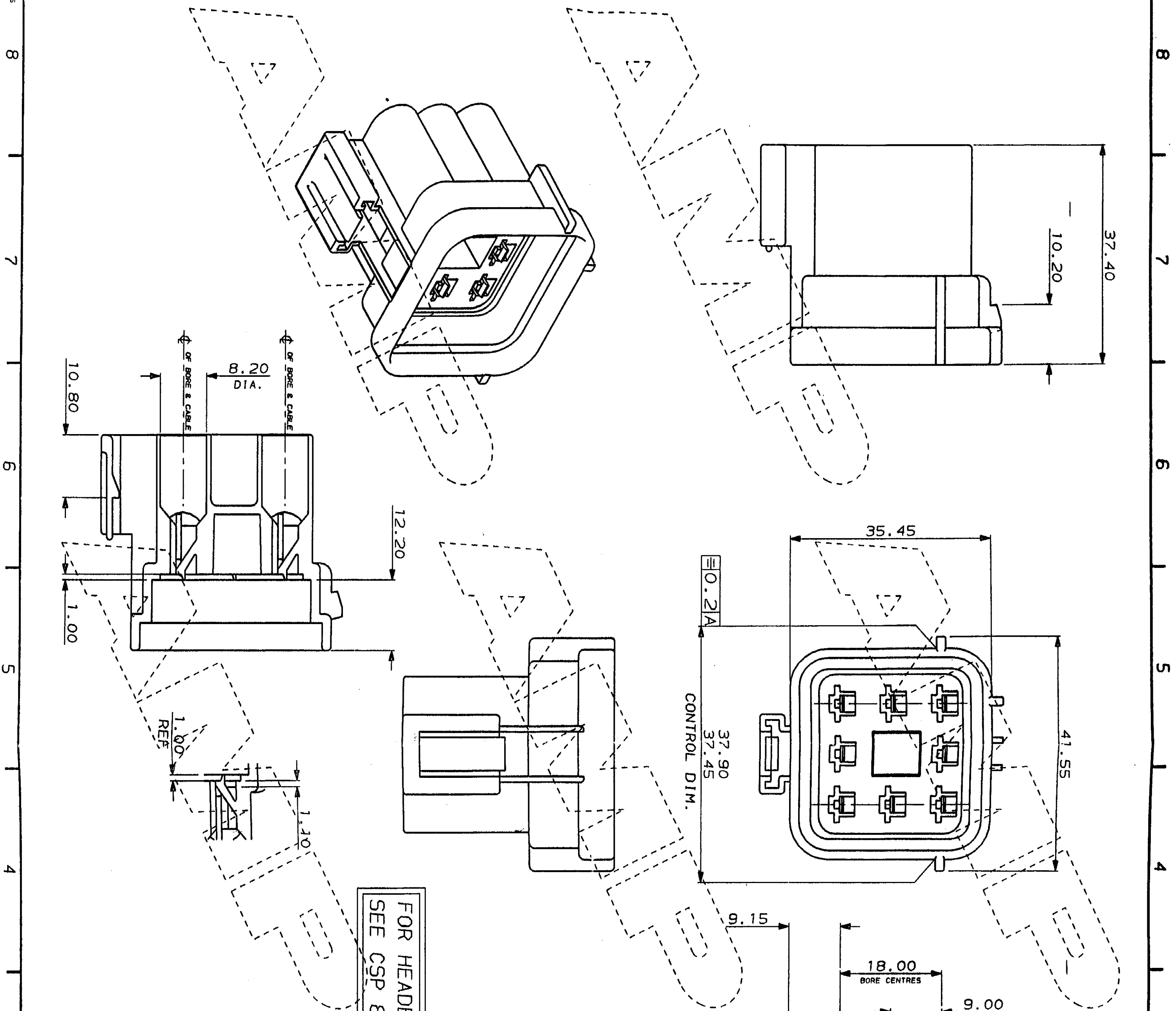


A B C D E F 8 7 6 5 4 3 2 1



FOR HEADER DETAILS OF THIS PART
SEE CSP 8391 REV. 14

DO NOT SCALE
DIMENSIONS IN MM.



FINISH	MATERIAL	PART NUMBER
WHITE	NYLON 6.6	344073-4
BLUE	NYLON 6.6	344073-3
RED	NYLON 6.6	344073-2
BLACK	NYLON 6.6	344073-1

CUSTOMER DWG
FOR REFERENCE ONLY

ALL RIGHTS RESERVED BY GREAT BRITAIN LTD.
ALL INTERNATIONAL RIGHTS RESERVED. ALL PRODUCTS
MAY BE COVERED BY BRITISH AND FOREIGN PATENTS AND/OR PATENTS PENDING.
DR. R. S.
CH. R. J. S.
APP. B. J.
17.5.87
17.5.87

UNLESS OTHERWISE STATED DEC & 0.5° ANGLES & 1°

8 WAY TAB HSG.
ECONOMISEL 3 HIGH CURRENT

SCALE 2/1
LOC E
SIZE A2
Dwg. No. C344073
REV D
SHEET 1/1