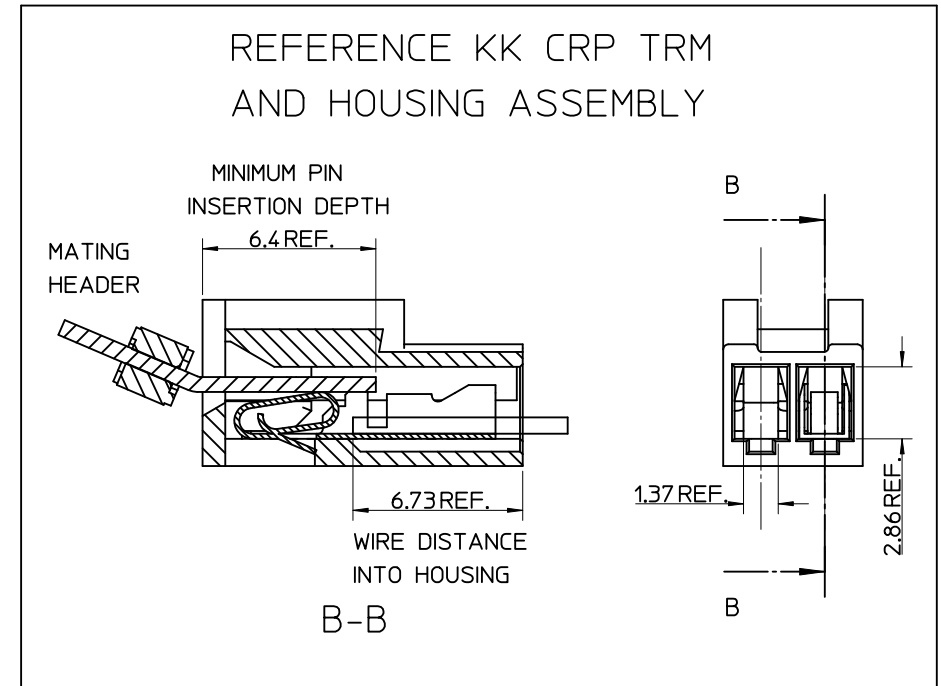


NOTES:

1. MATERIAL: POLYAMIDE (PA66/6),UL94 V-0
COLOUR: NATURAL
2. FINISH: N/A
3. FOR PRODUCT SPECIFICATION SEE PS-91560-003
4. PACKAGING: SEE PACKAGING SPECIFICATION PK-91560-005.
5. FOR USE WITH ANTI-FISH HOOKING TERMINAL 8088-(555)L (08-65-0106).
6. THIS PART CONFORMS TO CLASS B REQUIREMENTS OF COSMETIC SPECIFICATION PS-45499-002.



CIRCUIT 1 I.D.

REVISE NOTES EC NO: UCP2010-1407 DRWN:MKIPPER 2009/12/14 CHKD:JBELL APPR: 2009/12/17	QUALITY SYMBOLS ▽ - 0 ▽ - 0	GENERAL TOLERANCES (UNLESS SPECIFIED) mm INCH 4 PLACES ± --- ± --- 3 PLACES ± --- ± --- 2 PLACES ± 0.15 ± --- 1 PLACE ± 0.25 ± --- ANGULAR ± 2 °	SCALE 5:1 DESIGN UNITS METRIC DIMENSION STYLE MM ONLY	THIRD ANGLE PROJECTION REVISE ON CAD ONLY
	DRAWN BY DATE LKIERNAN 2001/12/03	TITLE 2.54MM KK CRP TRM HSG 2CKT		MOLEX INCORPORATED
	CHECKED BY DATE BMAGUIRE 2001/10/03	MATERIAL NO. 915600002	DOCUMENT NO. SD-91560-001	
	APPROVED BY DATE MWILHITE 2001/10/03	DRAFT WHERE APPLICABLE MUST REMAIN WITHIN DIMENSIONS		SHEET NO. 1 OF 1
THIS DRAWING CONTAINS INFORMATION THAT IS PROPRIETARY TO MOLEX INCORPORATED AND SHOULD NOT BE USED WITHOUT WRITTEN PERMISSION				A3