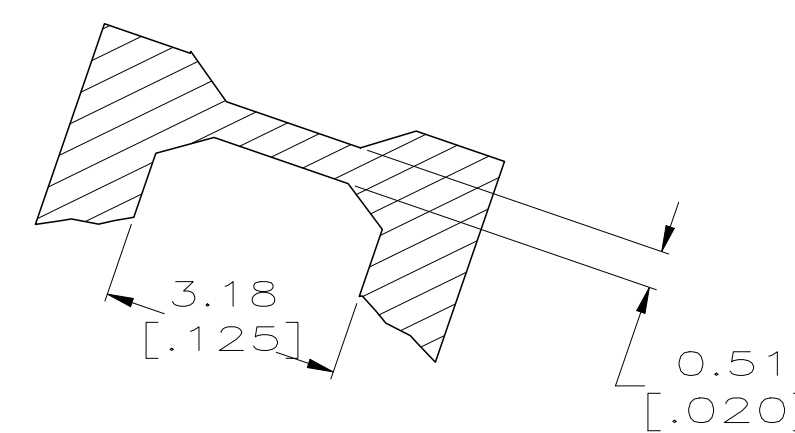
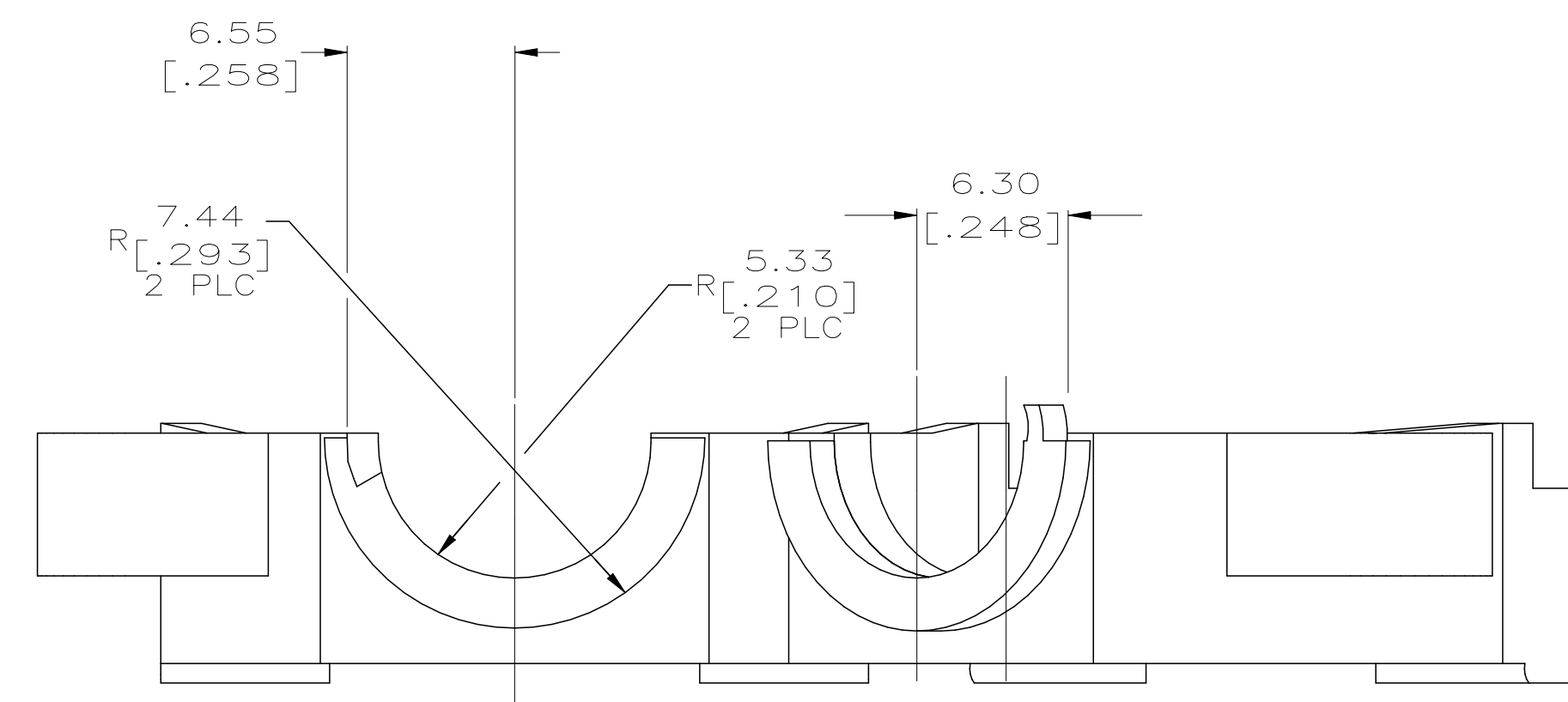
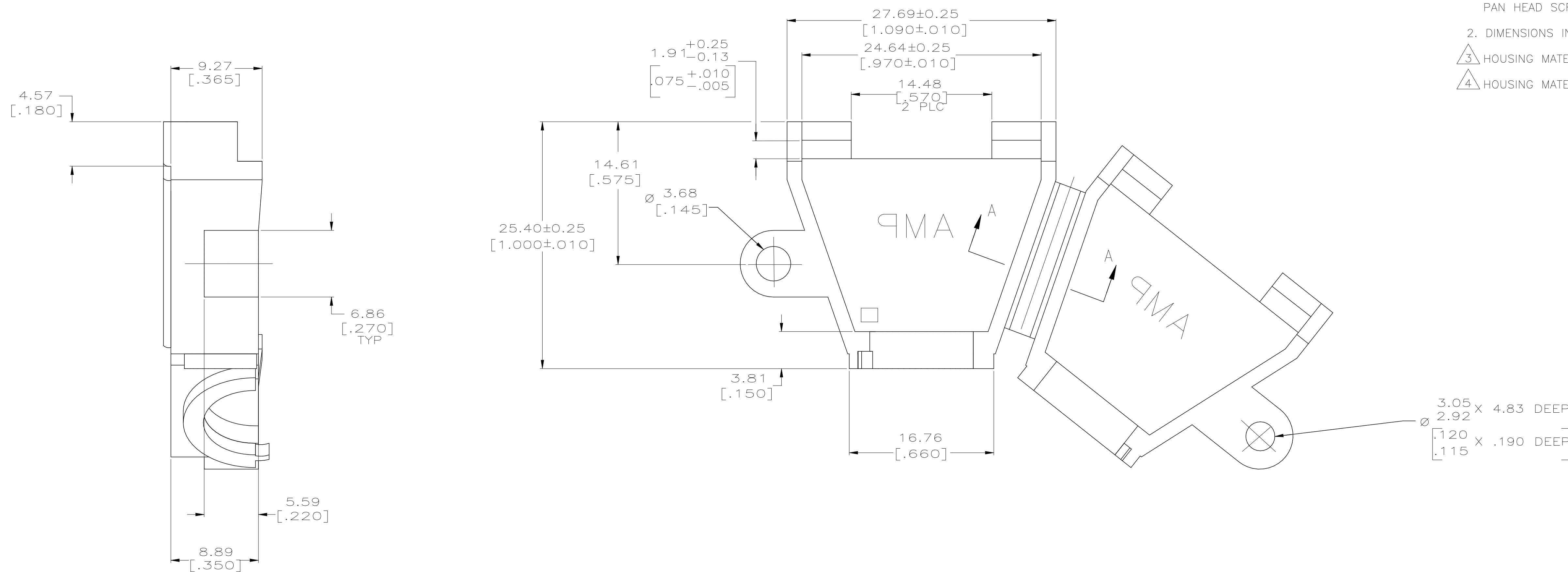
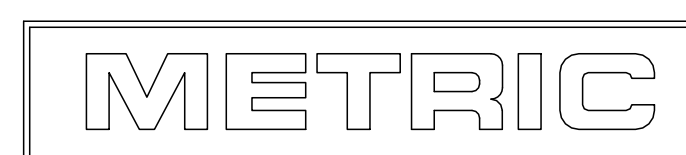
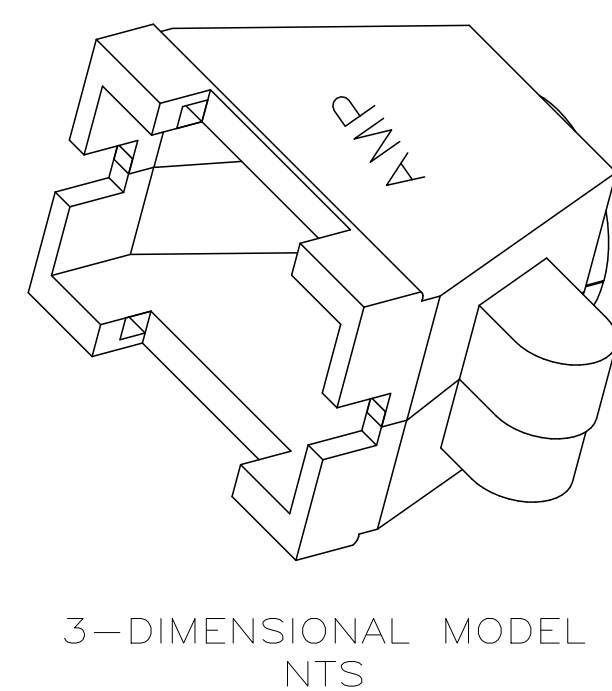


REVISIONS				
P	LTR	DESCRIPTION	DATE	APVD
K		REVISED PER ECO-21-006918	06DEC2021	RK MZ

- REQUIRES A #6 PAN HEAD TYPE "B" SELF TAPPING PAN HEAD SCREW, 9.53 [.375] LONG.
- DIMENSIONS IN BRACKETS ARE IN INCHES.
- HOUSING MATERIAL: PA66, BLACK, UL 94 V-0 RATED
- HOUSING MATERIAL: PA66, BLACK, UL 94 V-2 RATED



SECTION A-A
SCALE 10:1



4	1-350523-9
3	350523-1
MATERIAL	PART NO

TE TE Connectivity

STRAIN RELIEF, HINGED,
15 POSITION

THIS DRAWING IS A CONTROLLED DOCUMENT.		DWN K. SALMON 8-26-93	NAME
DIMENSIONS: mm [INCHES]		CHK R. SWING 8-26-93	APVD
TOLERANCES UNLESS OTHERWISE SPECIFIED:		PRD	PRODUCT SPEC
0 PLC	± -	APP	APPLICATION SPEC
1 PLC	± -	ANG	± -
2 PLC	± 0.13[.005]	FIN	FINISH
3 PLC	± -	WEI	WEIGHT
4 PLC	± -	SCALE	SCALE
MATERIAL	SEE TABLE	CUSTOMER DRAWING	RESTRICTED TO
SIZE	A1	CAGE CODE	00779
DRAWING NO	350523	SCALE	4:1
SHEET	1 OF 1	REV	K