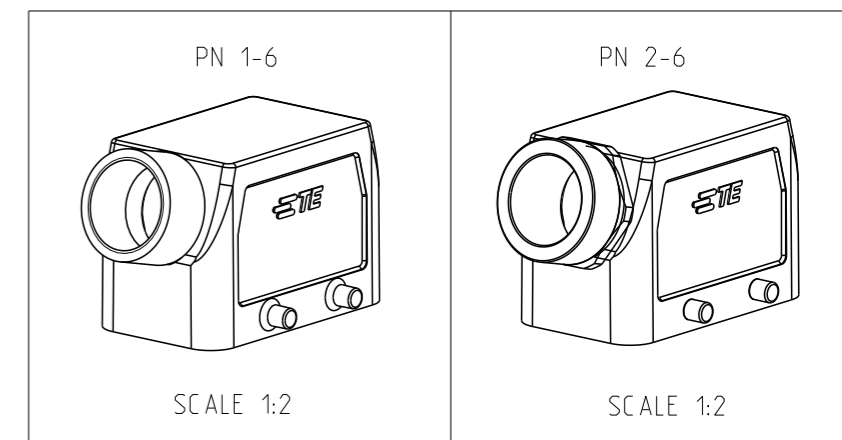


REVISIONS

P	LTR	DESCRIPTION	DATE	DWN	APVD
A3		Released as per ECR-07-030422	17.12.07	SP	
A4		REVISED PER ECR-17-013084	12JAN2018	SRG	MKO

NOTES.

- 1 Material:Housing:Aluminium Diecasting Alloy
- 2 Surface-Powder Varnish Grey
-Aluminium Oxide +
Varnish Black
- 3 Varnish on the inside not necessary
- 4 Packaging
Quantity 5 Pieces in a box



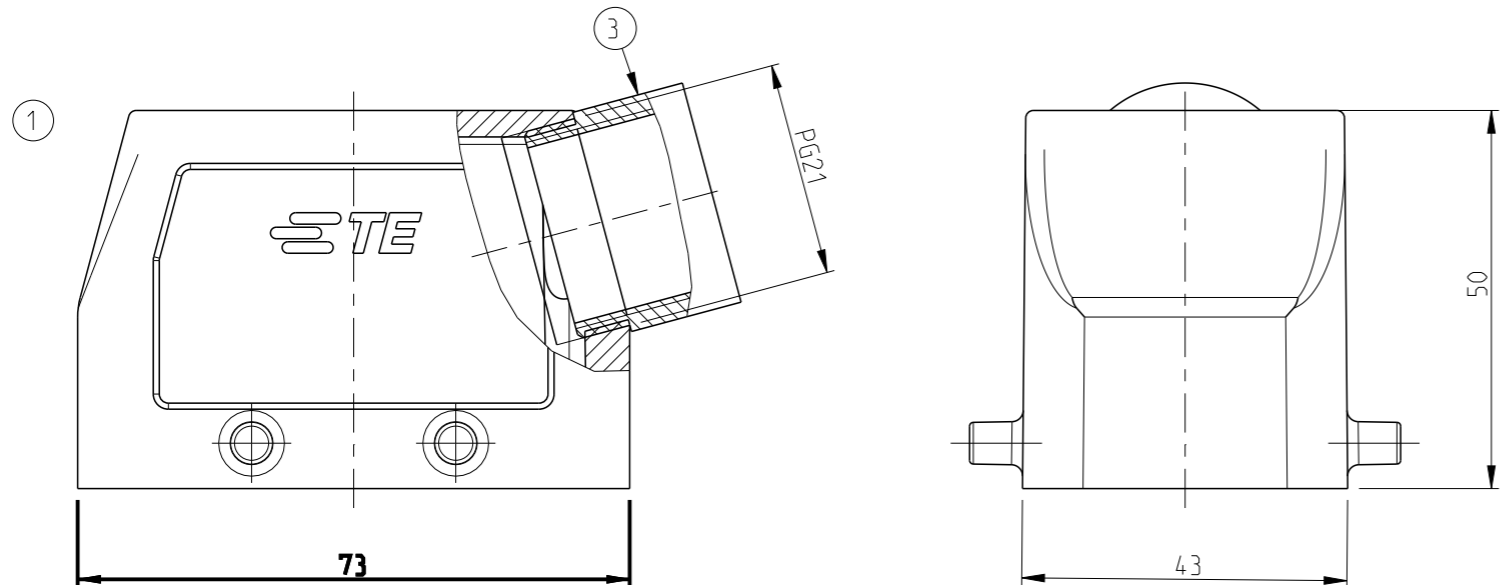
OBSOLETE

QTY	DESCRIPTION	MATERIAL	SURFACE	COLOR	ITEM NO	REMARKS
4	VS-Clip bolt	Stainless steel	Blank	-	6	
1	O Ring Ø26x2	Neoprene	-	Black	5	
1	6-Kt-Adaptor PG21	Brass	Nickel plated	-	4	
1	Adaptor round PG21	Brass	Nickel plated	-	3	
1	Hood HB.10.PG.1.21	Aluminium	Aluminium oxide	Black	2	
1	Hood HB.10.PG.1.21	Aluminium	-	Grey	1	

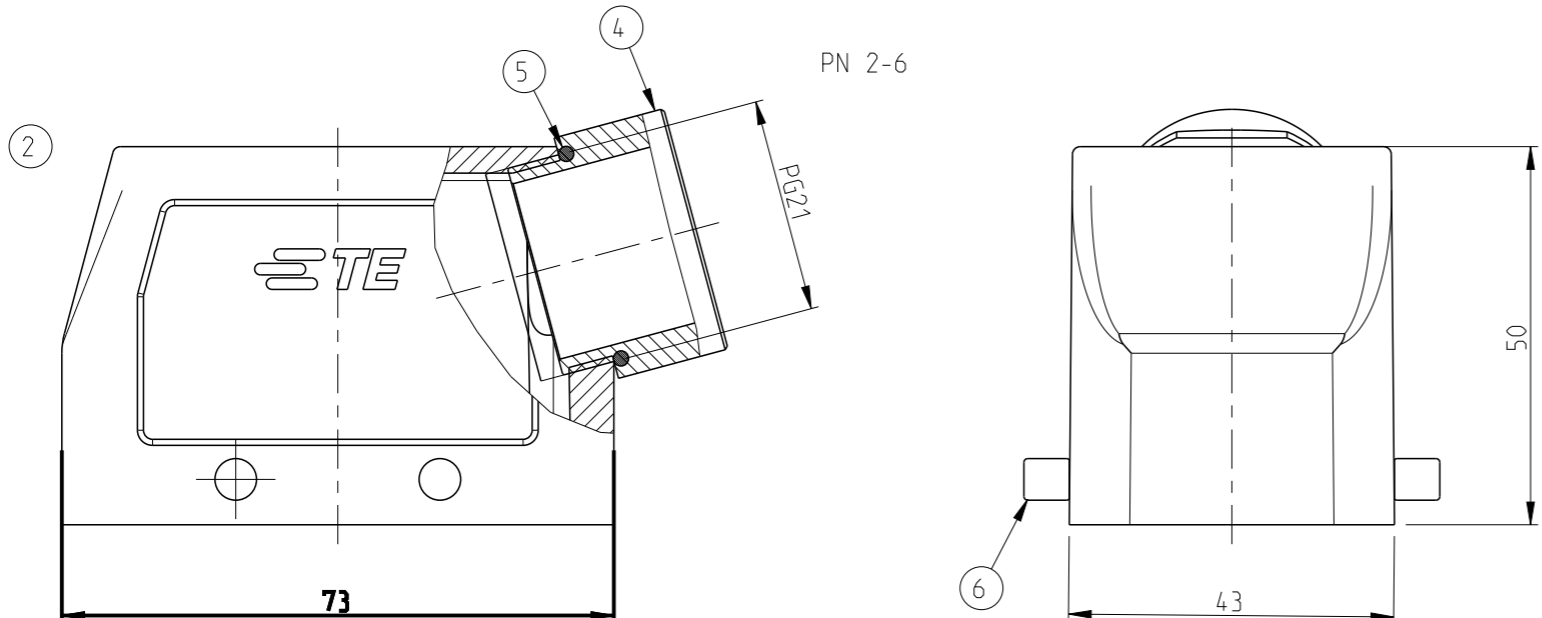
ORDERING TEXT

HB.10.STS.1.21.Z
HB-K.10.STS.1.21.Z

PN 1-6

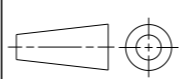


PN 2-6



THIS DRAWING IS A CONTROLLED DOCUMENT.

DIMENSIONS:
mm



MATERIAL
-
material_2

TOLERANCES UNLESS OTHERWISE SPECIFIED:

0 PLC	±
1 PLC	±
2 PLC	±
3 PLC	±
4 PLC	±
ANGLES	±

FINISH
-
finish_spec_2

DWN Kramer 11.05.98
CHK -
APVD -
PRODUCT SPEC 114-74004
APPLICATION SPEC 108-74003
WEIGHT -



TE Connectivity

NAME
Hood
HB.10.STS.1.21.Z

SIZE	CAGE CODE	DRAWING NO	RESTRICTED TO
A3	00779	©=1102263	

CUSTOMER DRAWING SCALE 1:1 SHEET 1 OF 1 REV A4