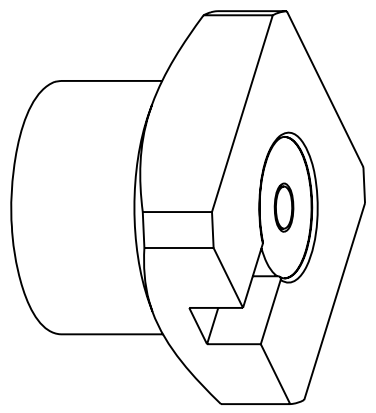


NOTES:

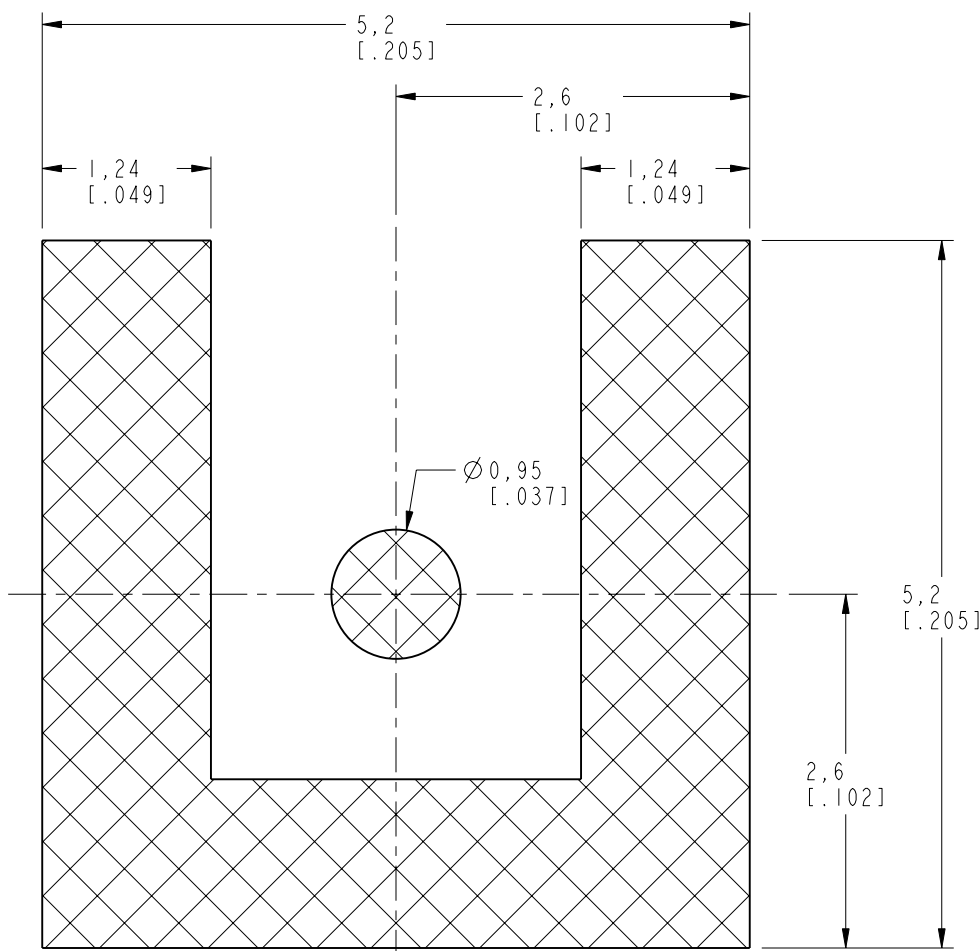
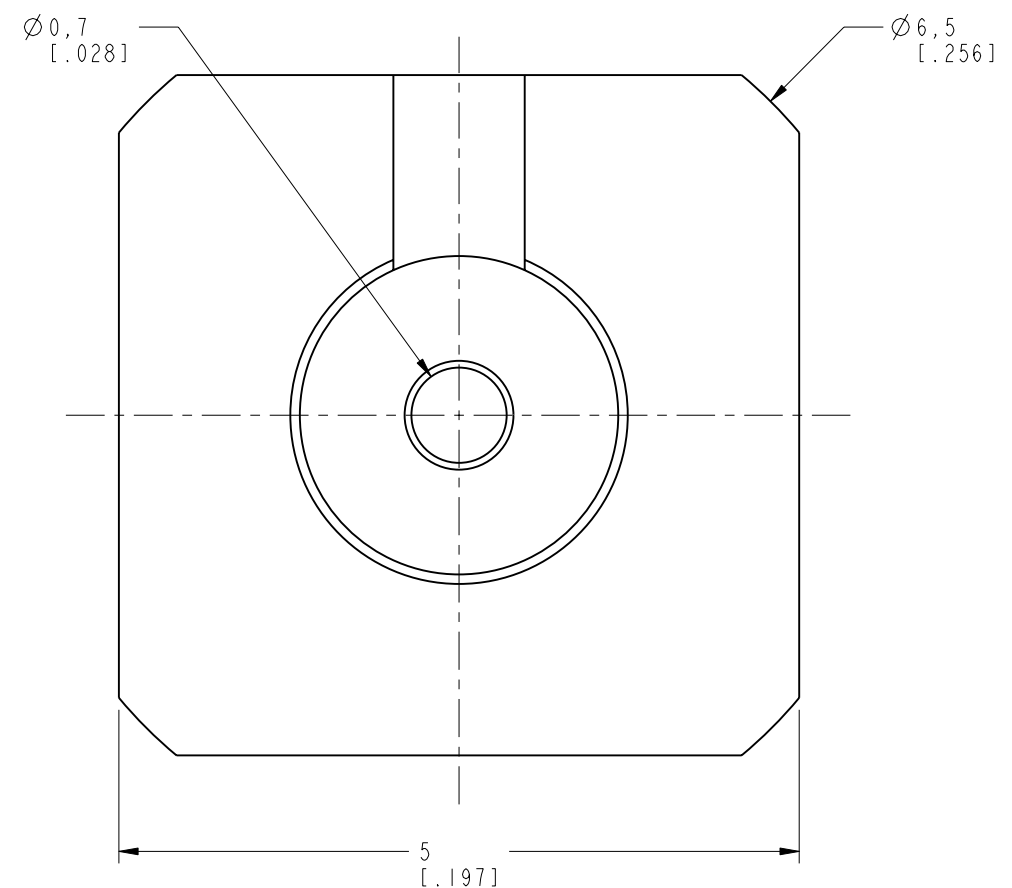
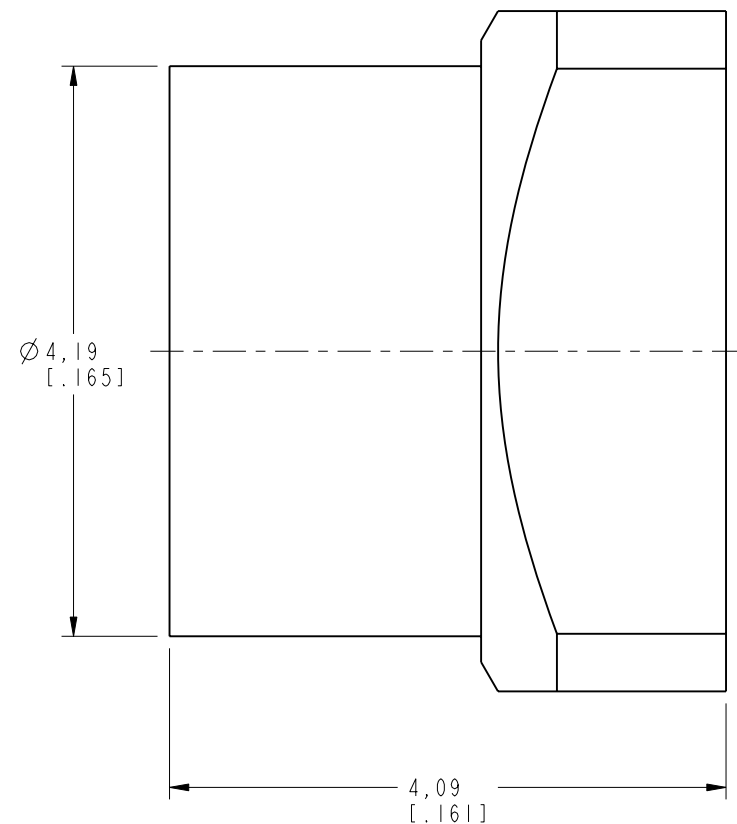
1. MATERIALS AND FINISHES:  
 BODY - BRASS, GOLD PLATING  
 CONTACT - BeCu, GOLD PLATING  
 INSULATOR - PTFE
2. ELECTRICAL:  
 A. IMPEDANCE: 50 OHM  
 B. FREQUENCY RANGE: DC - 26.5 GHz  
 C. VSWR(RETURN LOSS): 1.10 (26.4 dB), MAX. DC - 6 GHz  
                                   1.15 (23.1 dB), MAX. 6 - 10 GHz  
                                   1.30 (17.7 dB), MAX. 10 - 18 GHz  
 D. DIELECTRIC WITHSTANDING VOLTAGE: 335 VRMS, MIN.
3. MECHANICAL:  
 A. DURABILITY: 500 CYCLES MIN.  
 B. ENGAGEMENT FORCE: 10 LBS [45 N] MAX.  
 C. DISENGAGEMENT FORCE: 2 LBS [9 N] MIN.  
 D. INNER CONTACT RETENTION FORCE: 1.5 LB [7 N] MIN.  
 E. TEMPERATURE RANGE: -65° C TO 165° C
4. PACKAGING:  
 A. QUANTITY: TAPE & REEL PACKAGING, 1000 PCS/REEL  
 B. MARKING: REEL TO BE MARKED:  
   "AMPHENOL, SMP-MSLD-PCS18T, DATE CODE"

THIRD ANGLE PROJ.

REVISIONS				
REV	DESCRIPTION	DATE	ECN	APPR
A	RELEASE TO MFG.	29-Jul-19	12481	SV



SCALE 8.000



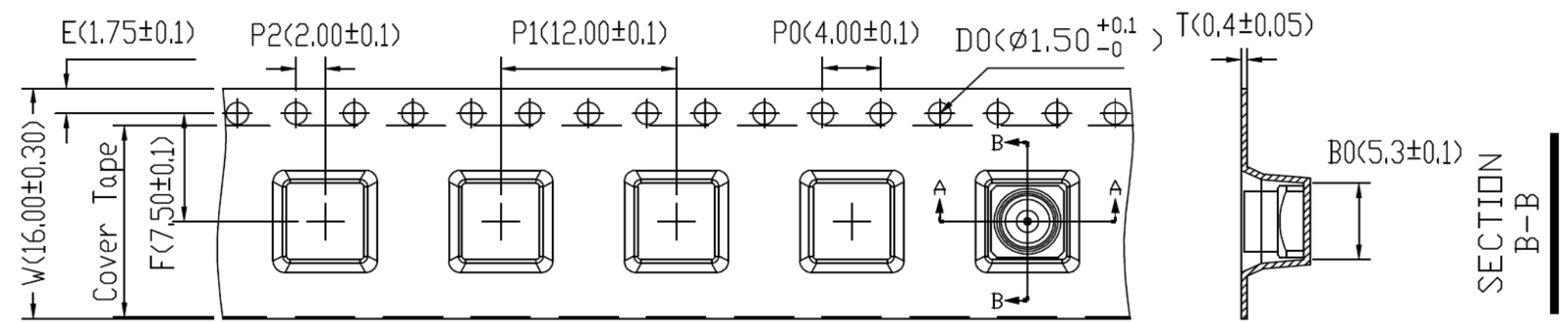
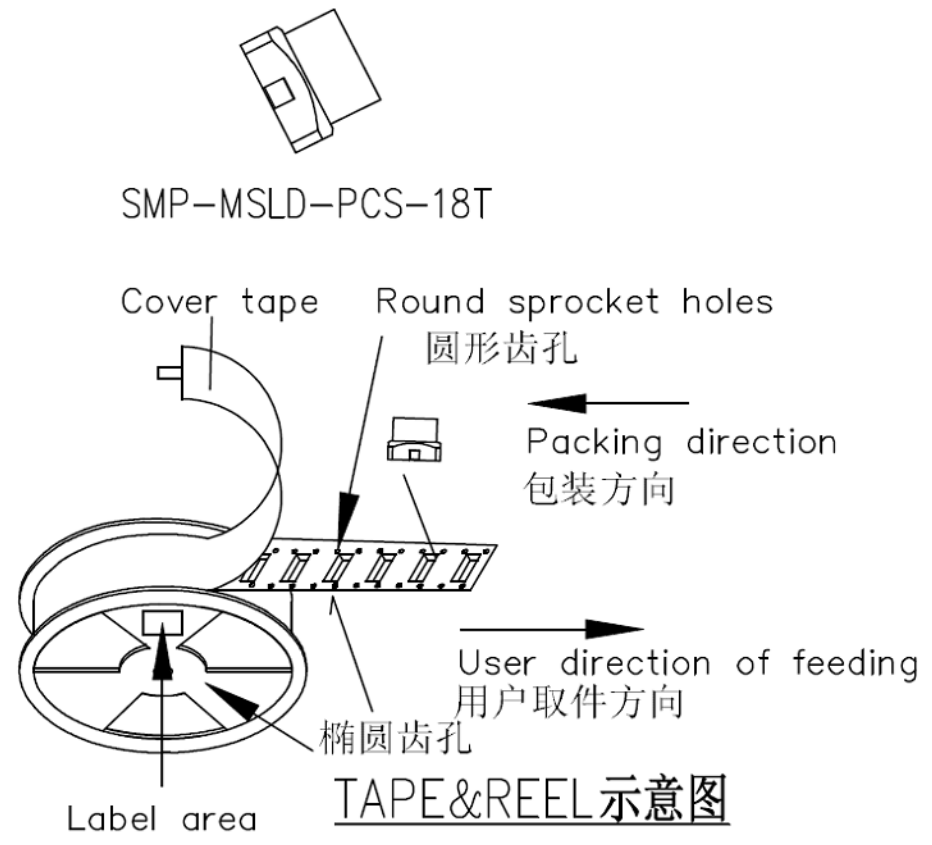
RECOMMENDED PCB PAD LAYOUT

**CUSTOMER OUTLINE DRAWING**  
 ALL OTHER SHEETS ARE FOR INTERNAL USE ONLY

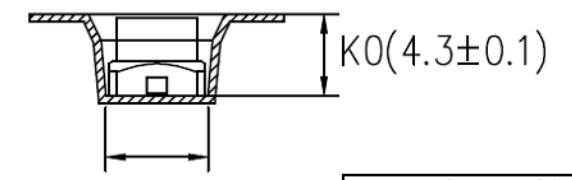
UNLESS OTHERWISE SPECIFIED, DIMENSIONS ARE IN METRIC AND TOLERANCES ARE: <0.5mm ±0.05mm    0.5 - 6mm ±0.1mm    6 - 30mm ±0.2mm    30 - 120mm ±0.3mm    ANGLES ±1°	MATERIAL SEE NOTES	DRAWN S. DUAN	DATE 6-Aug-19	TITLE SMP JACK PCB SMT RECEPTACLE LIMITED DETENT	Amphenol RF <a href="http://www.amphenolrf.com">www.amphenolrf.com</a>
	REFERENCE EAR# 8532	ENGINEER S. DUAN	DATE 6-Aug-19		
NOTICE - These drawings, specifications, or other data (1) are, and remain the property of Amphenol corp. (2) must be returned upon request; and (3) are confidential and not to be disclosed to any person other than those to whom they are given by Amphenol Corp. the furnishing of these drawings, specifications, or other data by Amphenol Corp., or to any other person to anyone for any purpose is not to be regarded by implication or otherwise in any manner licensing, granting rights to permitting such holder or any other person to manufacture, use or sell any product, process or design, patented or otherwise, that may in any way be related to or disclosed by said drawings, specifications, or other data.	REF: SMP1251DI-001-30GP30G-50	APPROVED S. HSIEH	DATE 12-Aug-19	SCALE: 18.0:1.0 SHEET 2 OF 3	ITEM NO. SMP-MSLD-PCS18T
	CONFIGURATION LEVEL: In Work	FINISH	CAD FILE	DWG SIZE B	REV A

REV	DESCRIPTION	DATE	ECN	APPR
A	RELEASE TO MFG.	29-Jul-19	12481	SV

SMP-MSLD-PCS-18T



载带卷料方向



- Notes:
- 10 sprocket hole pitch cumulative tolerance  $\pm 0.20\text{mm}$   
(每10个链轮齿孔径累计公差为 $\pm 0.2\text{mm}$ )
  - Carrier camber not to exceed 1mm in 250mm.  
(传送料带弯曲变形度每250MM不超过1MM)
  - $A_0$  and  $B_0$  measured on a plane 0.3mm above the bottom of the pocket. ( $A_0$ 与 $B_0$ 在同一平面测量且距口袋底部0.3MM)
  - $K_0$  measured from a plane on the inside bottom of the pocket to the top surface of the carrier.  
( $K_0$ 为口袋底部与材料表面的平面距离。)
  - All dimensions meet EIA-481-D requirements.  
(所有尺寸符合EIA-481-D标准要求。)
  - Material: Black Antistatic polystyrene.  
(材料: 黑色聚苯乙烯。)
  - Thickness:  $0.40 \pm 0.05 \text{ mm}$ .  
(厚度:  $0.40 \pm 0.05$ 毫米。)
  - Packing length per 13" reel : 12.864Meters.  
(每个13"卷轴包装长度12.864米。)
  - Component loader per 13" reel : 1000pcs.  
(每个13"卷轴可装1000个零件。)

技术要求:  
在没有保护膜的情况下, 0-90度往返折弯3次, 卷带不会破裂; 冷封带0.3~1.3N; 厚度及防静电要求需满足要求, 防静电性能使用寿命至少大于半年。载带侧壁支撑力2kgf以上。

ITEM	W	$A_0$	$B_0$	$K_0$	$K_1$	$P_1$	F	E	$D_0$	$D_1$	$P_0$	$P_2$	T
DIM	$16 \pm 0.3$	$5.3 \pm 0.1$	$5.3 \pm 0.1$	$4.3 \pm 0.1$		$12.0 \pm 0.1$	$7.5 \pm 0.1$	$1.75 \pm 0.1$	$1.5^{+0.1}_{-0.00}$		$4.0 \pm 0.1$	$2.0 \pm 0.1$	$0.4 \pm 0.05$

包装信息	
卷盘	330mmx16mm
卷盘信息	宝蓝连体盘
上封带	13.3MM
每盘格数	1000pcs+前后各空36pcs
生产模具信息	
间距	12mm
模具穴数	8穴
成型模数	134模
每盘长度	12.864M

UNLESS OTHERWISE SPECIFIED, DIMENSIONS ARE IN METRIC AND TOLERANCES ARE: <0.5mm ±0.05mm    0.5 - 6mm ±0.1mm    6 - 30mm ±0.2mm    30 - 120mm ±0.3mm    ANGLES ±1°	MATERIAL	DRAWN S. DUAN	DATE 6-Aug-19	TITLE SMP JACK PCB SMT RECEPTACLE LIMITED DETENT	Amphenol RF <a href="http://www.amphenolrf.com">www.amphenolrf.com</a>
	REFERENCE EAR# 8532 REF: SMP1251DI-001-30GP30G-50	ENGINEER S. DUAN	DATE 6-Aug-19		
NOTICE - These drawings, specifications, or other data (1) are, and remain the property of Amphenol corp. (2) must be returned upon request; and (3) are confidential and not to be disclosed to any person other than those to whom they are given by Amphenol Corp. the furnishing of these drawings, specifications, or other data by Amphenol Corp., or to any other person to anyone for any purpose is not to be regarded by implication or otherwise in any manner licensing, granting rights to permitting such holder or any other person to manufacture, use or sell any product, process or design, patented or otherwise, that may in any way be related to or disclosed by said drawings, specifications, or other data.	CONFIGURATION LEVEL: In Work	APPROVED S. HSIEH	DATE 12-Aug-19	SCALE: 18.0:1.0 SHEET 3 OF 3	ITEM NO. SMP-MSLD-PCS18T
	FINISH	CAD FILE	DWG SIZE B	REV A	PART NO. SMP-MSLD-PCS18T