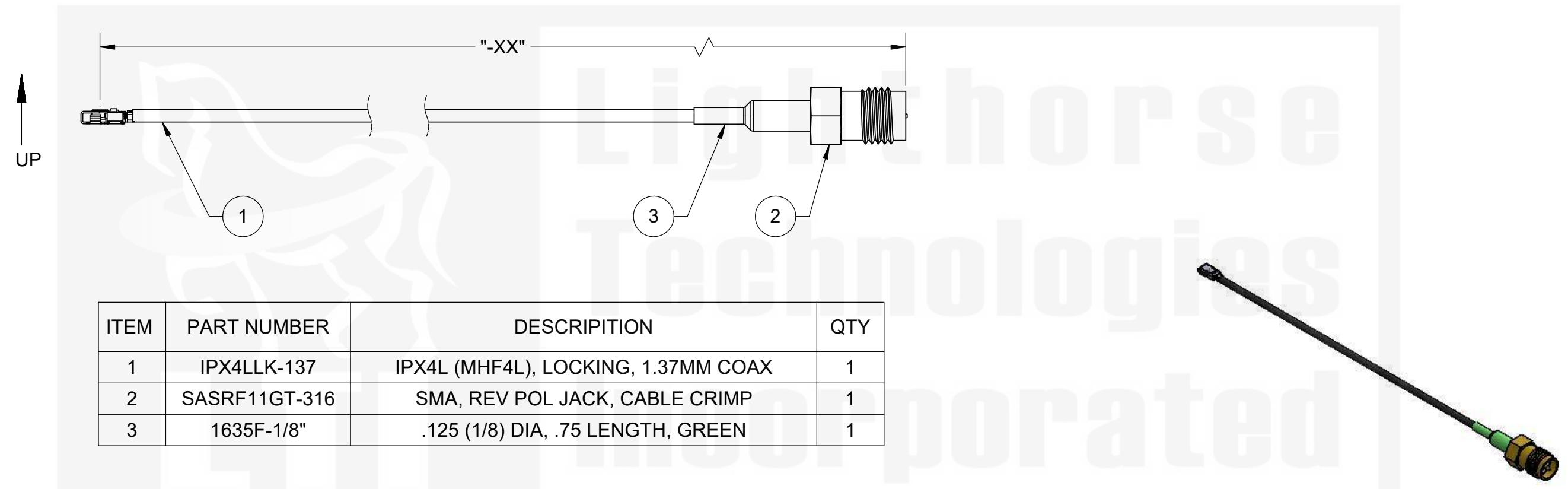


REVISIONS				
REV	ECR	DESCRIPTION	DRAWN	DATE
1		ENGINEERING RELEASE	P. BURDGE	11/10/2020

-XX IN THE ENDING OF THE CABLE PART NUMBER IS CALLING OUT THE LENGTH OF THE ASSEMBLY FROM CENTER TO MATING FLANGE OF CONNECTORS. EXAMPLES SHOWN BELOW:

LTI P/N: CB1.37-IPX4LLK-SARFGT-6IN (6 INCHES)  
 CB1.37-IPX4LLK-SARFGT-8IN (8 INCHES)



ITEM	PART NUMBER	DESCRIPTION	QTY
1	IPX4LLK-137	IPX4L (MHF4L), LOCKING, 1.37MM COAX	1
2	SASRF11GT-316	SMA, REV POL JACK, CABLE CRIMP	1
3	1635F-1/8"	.125 (1/8) DIA, .75 LENGTH, GREEN	1

SCALE: NONE

IPX® AND MHF® ARE REGISTERED TRADEMARKS OF I-PEX CO., LTD. CORPORATION

DO NOT SCALE DRAWING		Lighthorse Technologies San Diego, CA WWW.RFCONNECTOR.COM	
TOLERANCES UNLESS OTHERWISE SPECIFIED		TITLE: CABLE ASSEMBLY, I-PEX LOCKING, (MHF4L) R/A JACK, CRIMP TO SMA, RP JACK, CABLE MNT, 1.37MM COAX	
DIMENSIONS ARE IN MILLIMETERS		SIZE: B	
X = ±0.5		PART/DWG. NO: CB1.37-IPX4LLK-SARFGT-xxIN	
X.X = ±0.25		REV: 1	
X.XX = ±0.13		SCALE: 2:1	
ANGLE = ±30'		FILE NAME	
THIRD ANGLE PROJECTION		SHEET 1 OF 1	
CUSTOMER APPROVAL			
SIGN / DATE:			
ENG APPR.			
CHECKED			
DRAWN	P. BURDGE	11-10-2020	
	NAME	DATE	

PROPRIETARY AND CONFIDENTIAL  
 UNLESS OTHERWISE SPECIFIED: THIS DOCUMENT CONTAINS LIGHORSE TECHNOLOGIES INFORMATION. REPRODUCTION, USE, DISCLOSURE OR TRANSMITTAL OF ALL OR ANY PART OF THIS DOCUMENT IS PROHIBITED EXCEPT TO THE EXTENT APPROVED IN WRITING BY AN AUTHORIZED REPRESENTATIVE OF LIGHORSE TECHNOLOGIES. LIGHORSE TECHNOLOGIES RESERVES ALL RIGHTS UNDER PATENTS, TRADEMARKS, COPY RIGHTS AND TRADE SECRETS. COPY RIGHTS OF LIGHORSE TECHNOLOGIES 2011, ALL RIGHTS RESERVED.

