

MATERIALS AND FINISHES

BODY, JAM NUT, CRIMP TUBE: BRASS
PLATED NICKEL

CENTER CONTACT BERYLLIUM COPPER
PLATED GOLD

INSULATORS: TEFLON

CABLE CONTACT: BRASS
PLATED GOLD

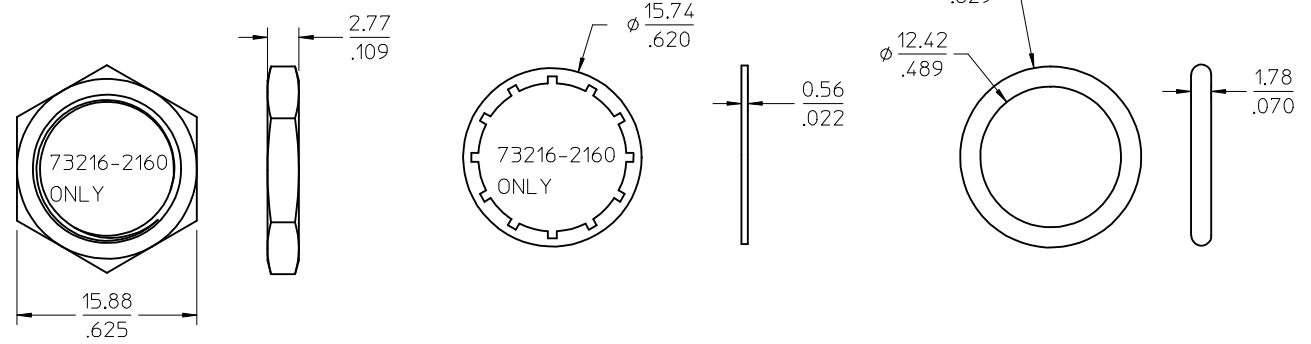
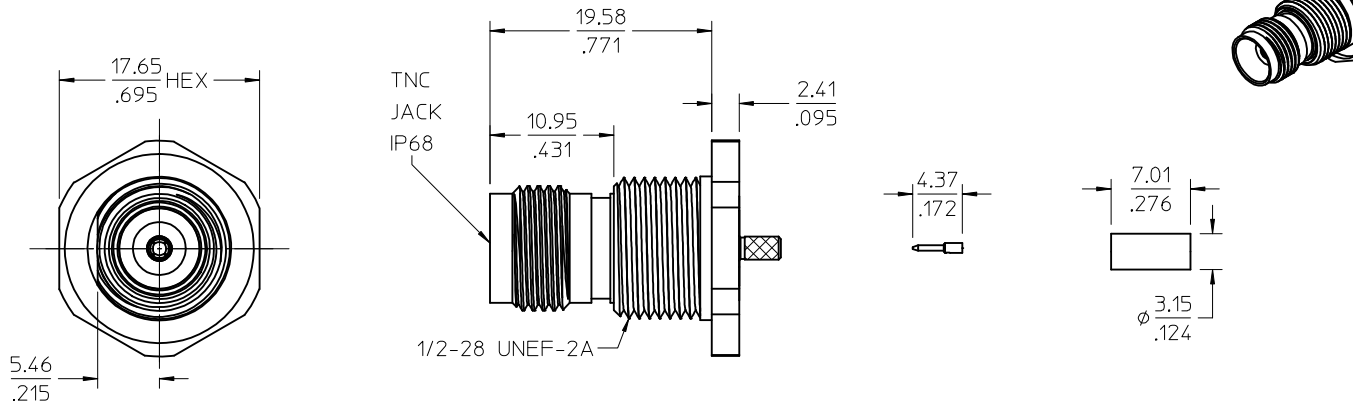
LOCK WASHER: PHOSPHOR BRONZE
PLATED NICKEL

O-RING: SILICONE RUBBER

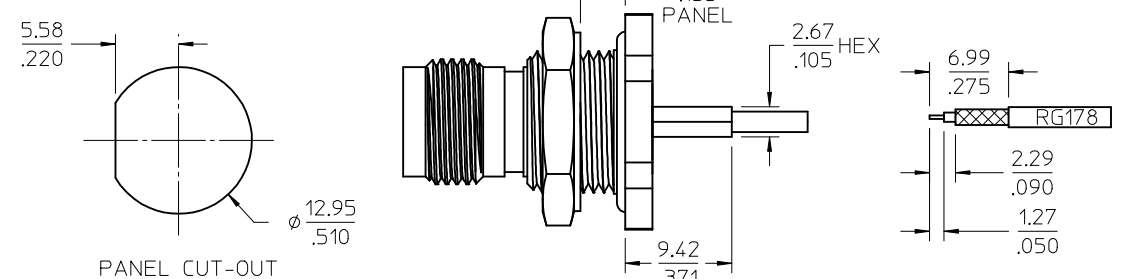
VSWR: 1.25 MAX (DC TO 3 GHz)

WORKING PRESSURE: 55.2kPa (8.0 PSI) UNMATED

OPERATING TEMPERATURE: -40°C TO +85°C



73216-2161	HARDWARE NOT INCLUDED (JAM NUT & WASHER)
73216-2160	HARDWARE INCLUDED
PART NO.	DESCRIPTION



MIL-STD-348A, FIG. 313.2	INTERFACE
SPECIFICATION	DESCRIPTION

CHG: UPDATED BODY 10.95 WAS 10.49 EC NO: URF2015-0082 DRVNSSHAH 2014/08/25 CHKD:ROBERTSON 2014/08/25 APPR:WSPINK 2014/08/29	QUALITY SYMBOLS ▽=0 ▽=0	GENERAL TOLERANCES (UNLESS SPECIFIED) <table border="1"> <tr> <th></th> <th>mm</th> <th>INCH</th> </tr> <tr> <td>4 PLACES</td> <td>± .005</td> <td>± .0005</td> </tr> <tr> <td>3 PLACES</td> <td>± .005</td> <td>± .0005</td> </tr> <tr> <td>2 PLACES</td> <td>± .005</td> <td>± .0005</td> </tr> <tr> <td>1 PLACE</td> <td>± .005</td> <td>± .0005</td> </tr> </table> ANGULAR ± 2 °		mm	INCH	4 PLACES	± .005	± .0005	3 PLACES	± .005	± .0005	2 PLACES	± .005	± .0005	1 PLACE	± .005	± .0005	DIMENSION STYLE MM/IN	SCALE DESIGN UNITS METRIC	THIRD ANGLE PROJECTION
				mm	INCH															
4 PLACES	± .005	± .0005																		
3 PLACES	± .005	± .0005																		
2 PLACES	± .005	± .0005																		
1 PLACE	± .005	± .0005																		
DRAWN BY AZR	DATE 2009/04/08	CHECKED BY SSS	DATE 2009/04/08	APPROVED BY JDW	DATE 2009/04/08															
DRAFT WHERE APPLICABLE MUST REMAIN WITHIN DIMENSIONS		MATERIAL NO. SEE TABLE	DOCUMENT NO. SD-73216-216	TITLE TNC JACK ISOLATED GROUND BLKD IP68 REAR MNT RG178 TNC-JC, EWR-4053																
REV B1		MOLEX INCORPORATED		SHEET NO. 1 OF 1																

MATERIALS AND FINISHES

BODY, JAM NUT, CRIMP TUBE: BRASS
PLATED NICKEL

CENTER CONTACT BERYLLIUM COPPER
PLATED GOLD

INSULATORS: TEFLON

CABLE CONTACT: BRASS
PLATED GOLD

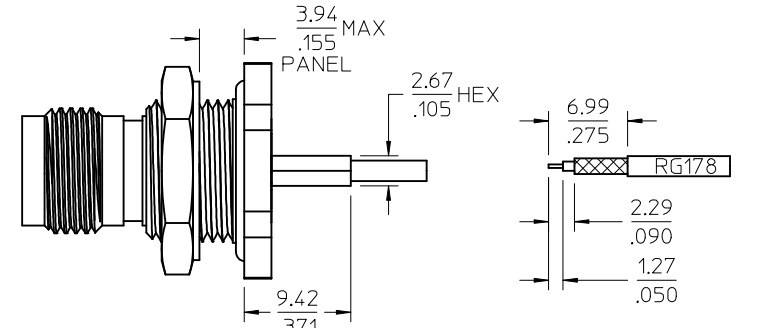
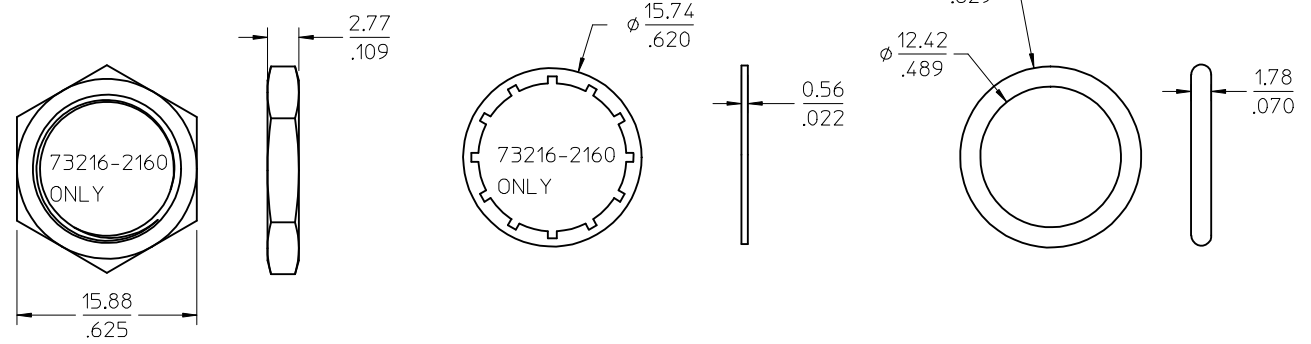
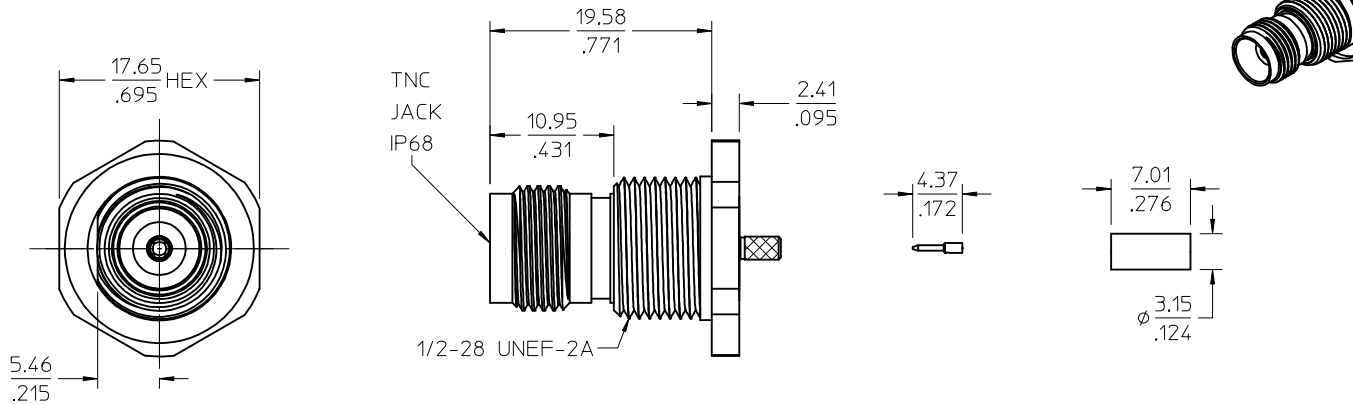
LOCK WASHER: PHOSPHOR BRONZE
PLATED NICKEL

O-RING: SILICONE RUBBER

VSWR: 1.25 MAX (DC TO 3 GHz)

WORKING PRESSURE: 55.2kPa (8.0 PSI) UNMATED

OPERATING TEMPERATURE: -40°C TO +85°C



73216-2161	HARDWARE NOT INCLUDED (JAM NUT & WASHER)
73216-2160	HARDWARE INCLUDED
PART NO.	DESCRIPTION

MIL-STD-348A, FIG. 313.2	INTERFACE
SPECIFICATION	DESCRIPTION

CHG: UPDATED BODY 10.95 WAS 10.49	EC NO: URF2015-0082	2014/08/25
	DRVNSSHAH	2014/08/25
REV	CHKD:ROBERTSON	2014/08/25
	APPR:WSPINK	2014/08/29

QUALITY SYMBOLS	▽=0
	▽=0

GENERAL TOLERANCES (UNLESS SPECIFIED)	mm	INCH
4 PLACES	± .005	± .0004
3 PLACES	± .003	± .0001
2 PLACES	± .002	± .0001
1 PLACE	± .001	± .0001
ANGULAR ± 2 °		
DRAFT WHERE APPLICABLE MUST REMAIN WITHIN DIMENSIONS		

DIMENSION STYLE		SCALE
MM/IN		DESIGN UNITS METRIC
DRAWN BY	DATE	TITLE
AZR	2009/04/08	TNC JACK ISOLATED GROUND
CHECKED BY	DATE	BLKD IP68 REAR MNT RG178
SSS	2009/04/08	TNC-JC, EWR-4053
APPROVED BY	DATE	MATERIAL NO.
JDW	2009/04/08	SEE TABLE
MATERIAL NO.		DOCUMENT NO.
SD-73216-216		SHEET NO.
SD-73216-216		1 OF 1

THIRD ANGLE PROJECTION	
Molex MOLEX INCORPORATED	
THIS DRAWING CONTAINS INFORMATION THAT IS PROPRIETARY TO MOLEX INCORPORATED AND SHOULD NOT BE USED WITHOUT WRITTEN PERMISSION	