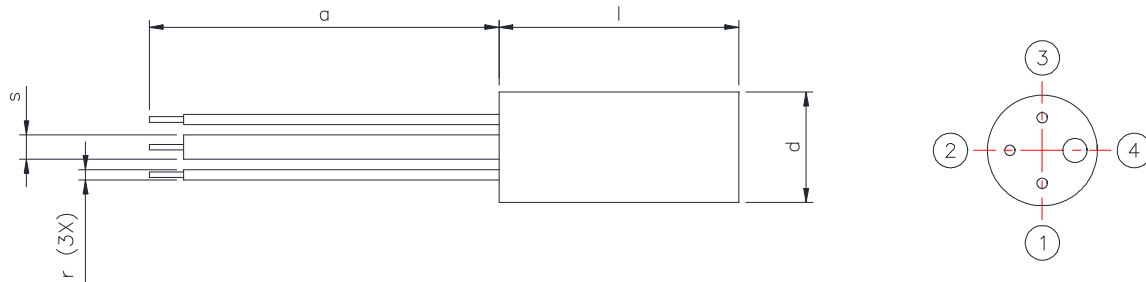


MECHANICAL DATA



Dimensions (mm)

l	:	34.29 ± 1.27
d	:	Ø16.0 ± 0.5
a	:	88.9 ± 2.54

r	:	Ø1.524 nom.
s	:	Ø3.048 nom.

- Pin 1 Primary (Blue)
- Pin 3 Secondary (Red)

- Pin 2 Primary (Yellow)
- Pin 4 Secondary HV Output (White) {02}

Remarks:

Operating temperature : -30°C to 80°C

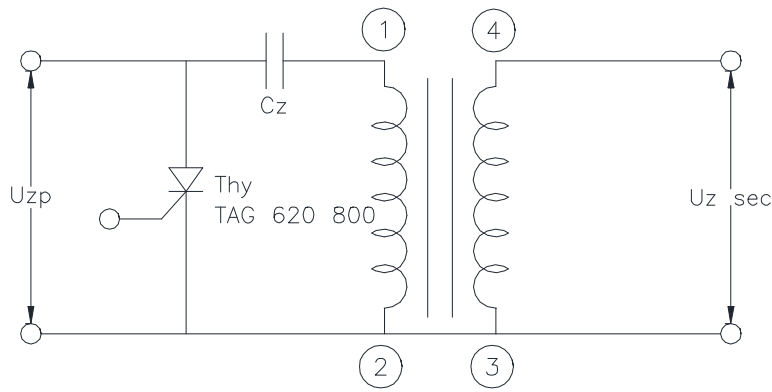
{01}

All solder materials are leadfree.

RoHS compliance

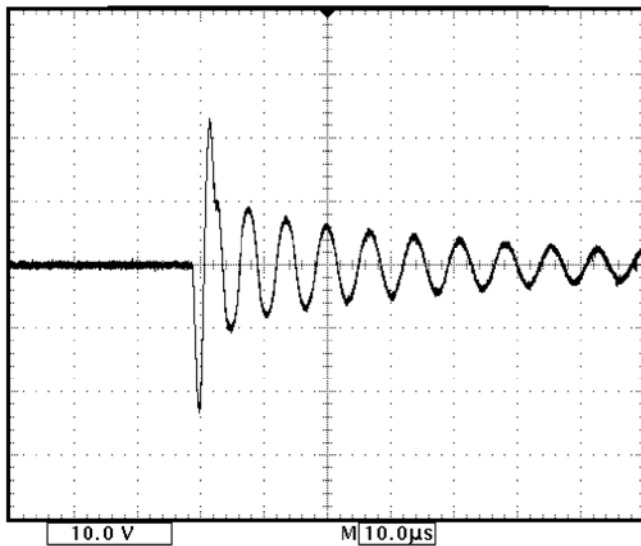
REV	CHANGE	DATE	NAME	DESCRIPTION	NAME	DATE	DEPARTMENT	
				ZS 1031-11(H)	DRAWN	MICHAEL LI	04.05.2206	COE
					CHECKED	MICHAEL LI	04.05.2206	COE
02	-1/02X1	02.10.13	MAUNG TT	ZS 1031-11(H)				EXCELITAS TECHNOLOGIES {01}
01	-1,2&3/01x4	14.08.13	MAUNG TT					
								1 FUSIONOPOLIS WALK, #11-02 SOLARIS SOUTH TOWER SINGAPORE 138628
								PAGE 1 OF 3

OPERATING DATA



Item	Primary	Secondary
Resistance	58 ± 8 mohm	125 ± 15 ohm
Primary Voltage, Uz _p	400 V	--
Primary Capacitance, Cz	0.47 μF	--
Secondary Voltage, Uz _{sec} .	--	26 ± 3 kV
Polarity of 1 st peak	--	1 st Peak Negative
Inductance @ 1 kHz	11 ± 3 μH	53 ± 7 mH

Typical Waveform:



Unloaded high voltage output
10 μs/div 10 kV/div

	NAME	DATE	DEPARTMENT	<p>EXCELITAS TECHNOLOGIES {01}</p> <p>1 FUSIONOPOLIS WALK, #11-02 SOLARIS SOUTH TOWER SINGAPORE 138628</p>	
	DRAWN	MICHAEL LI	04.05.2206		COE
	CHECKED	MICHAEL LI	04.05.2206		COE
	DESCRIPTION				
ZS 1031-11(H)				PAGE 2 OF 3	


ISOLATION VOLTAGE BETWEEN SECONDARY AND PRIMARY

Test Voltage	Position between Wires	Duration	Requirement
2000 V DC	4 & 1	1 min.	No breakdown

Table 1

Notes:

- 2000 V DC is applied between Wire No. 4 and 1 for 1 minute.
- All values are minimum values.

	NAME	DATE	DEPARTMENT	 EXCELITAS TECHNOLOGIES {01}
DRAWN	MICHAEL LI	04.05.2206	COE	
CHECKED	MICHAEL LI	04.05.2206	COE	
DESCRIPTION				1 FUSIONOPOLIS WALK, #11-02 SOLARIS SOUTH TOWER SINGAPORE 138628
ZS 1031-11(H)				PAGE 3 OF 3