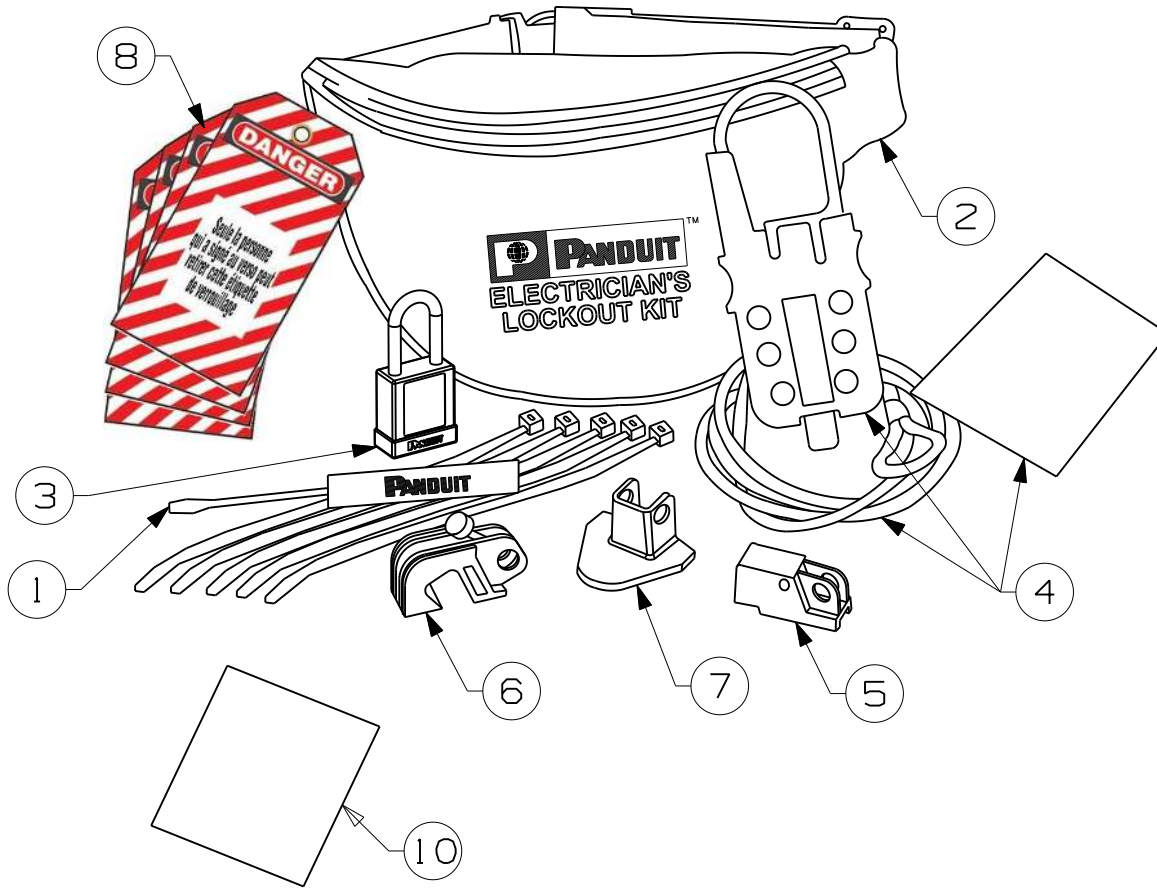


THIS COPY IS PROVIDED ON A RESTRICTED BASIS AND IS NOT TO BE USED IN ANY WAY DETRIMENTAL TO THE INTERESTS OF PANDUIT CORP.



ITEM NO.	QTY. (PCS.)	PART NO.	DESCRIPTION
1	1	GMSOCOM	PANDUIT SCREWDRIVER
2	1	PSL-PK	POUCH
3	1	PSL-8RD	RED PLASTIC BODY PADLOCK
4	1	PSL-MLD	PSL-MLD MULTIPLE LOCKOUT HASP, 6' VINYL COATED CABLE AND INSTRUCTION SHEET
5	1	PSL-WS	WALL SWITCH LOCKOUT DEVICE
6	1	PSL-CBNT	"NO TOOL" UNIVERSAL CIRCUIT BREAKER LOCKOUT DEVICE
7	1	PSL-P	PLUG LOCKOUT DEVICE
8	5	PVT-98-F	SAFETY TAG FRENCH
9	5	PLT2S	NYLON CABLE TIE
10	1	GMPSL-INKT	INSTRUCTION SHEET

CAD FILENAME/LAYERS 100824BE-DC-C10913/00A

PANDUIT CORP. TINLEY PARK, ILLINOIS
 CUSTOMER DRAWING
 PSL-PK-EA-F
 FRENCH ELECTRICIAN LOCKOUT KIT

UNLESS OTHERWISE SPECIFIED,
 DIMENSIONAL TOLERANCES ARE:
 (.X) ± (.XXX) ±
 (.XX) ± ANGLES ±

UNLESS OTHERWISE SPECIFIED,
 ALL DIMENSIONS ARE GIVEN
 IN INCHES, THIRD ANGLE PROJECTION.

DRAWN BY
 RVU

MAT'L:

SCALE NTS

DATE
 5/20/11

DRAWING NO.
 C10913

CHK'D
[Signature]

DWG
 A
 SIZE

REV	DATE	BY	CHK	DESCRIPTION	ECN	R	CUST	SUP
0	5/20/11	RVU		DRAWING RELEASE.	6390	R		