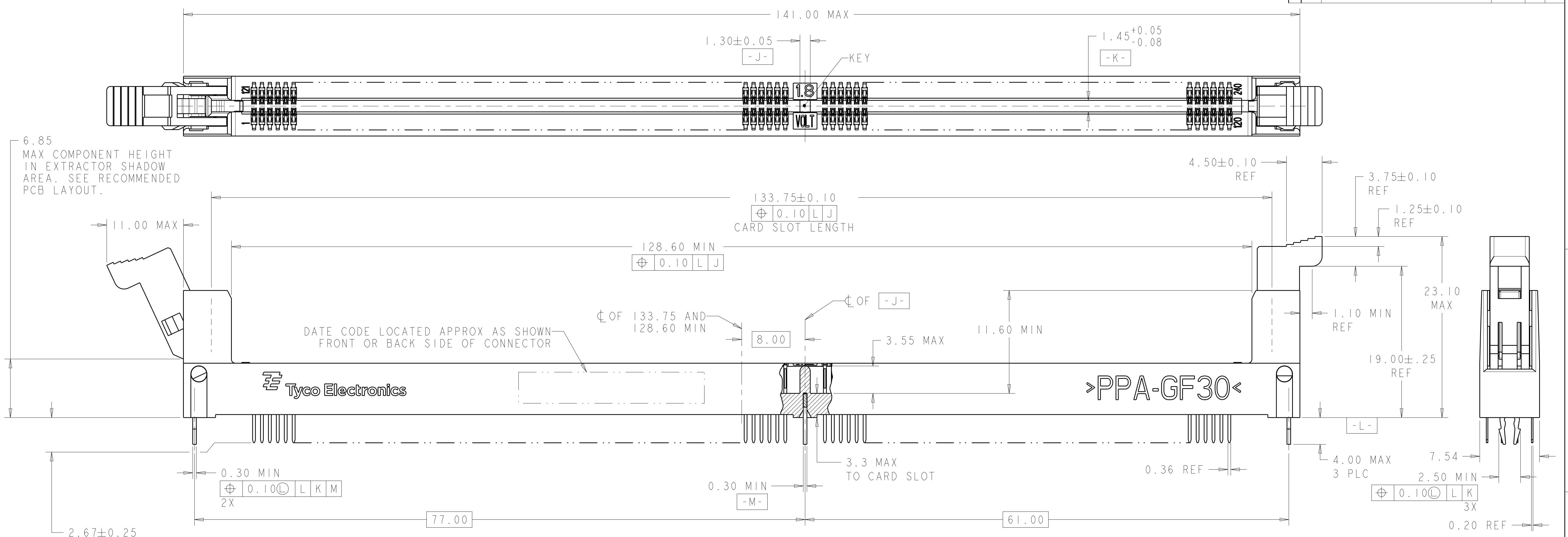
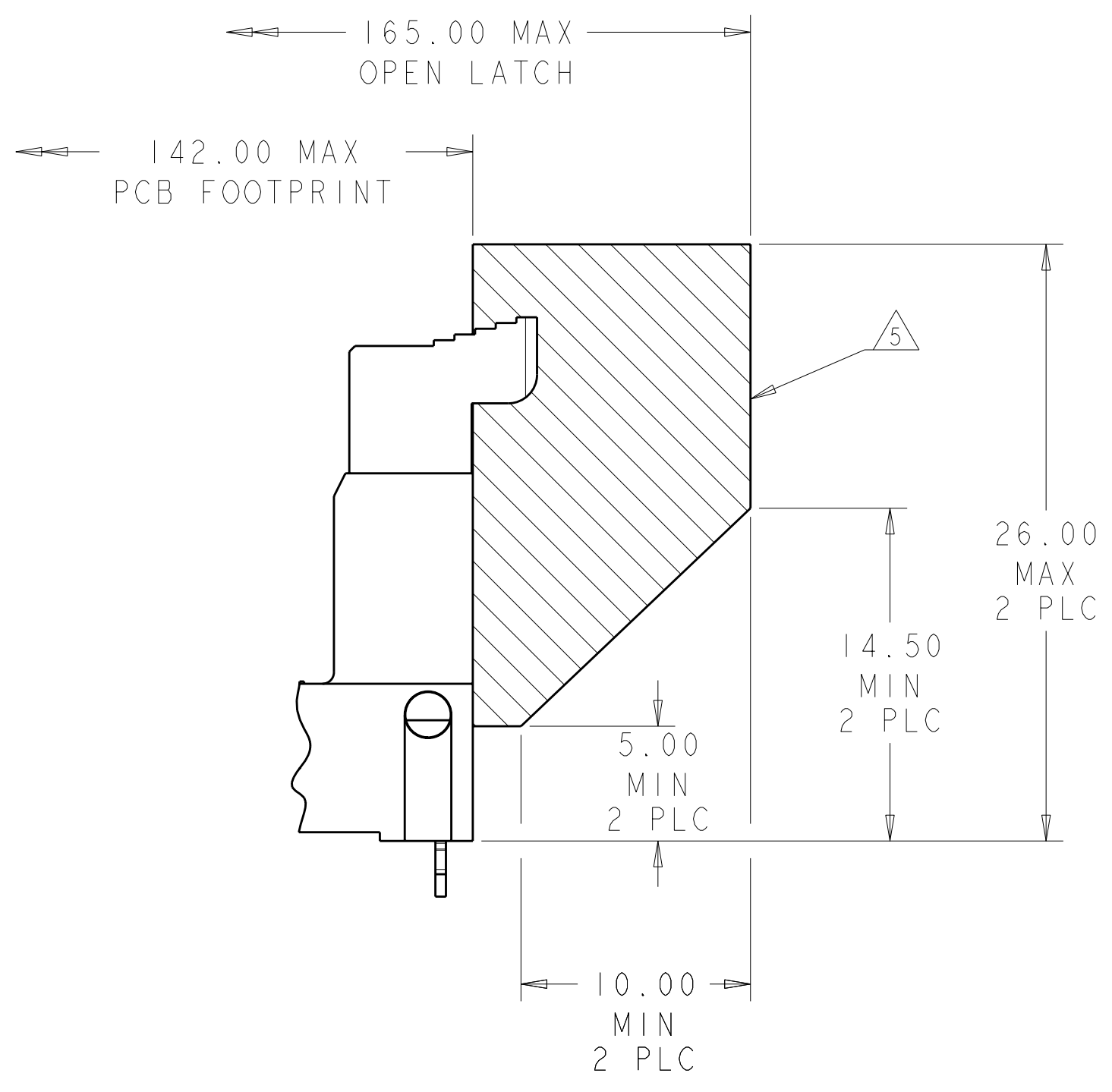


LOC	DIST	REV	DATE	BY	APPD
GP	00	A	20SEP2005	DRR	MY
		B	06DEC2005	DRR	LZ
		B2	12JUL10	D.S.	S.Y
		B3	27JUN2011	D.P.	C.W



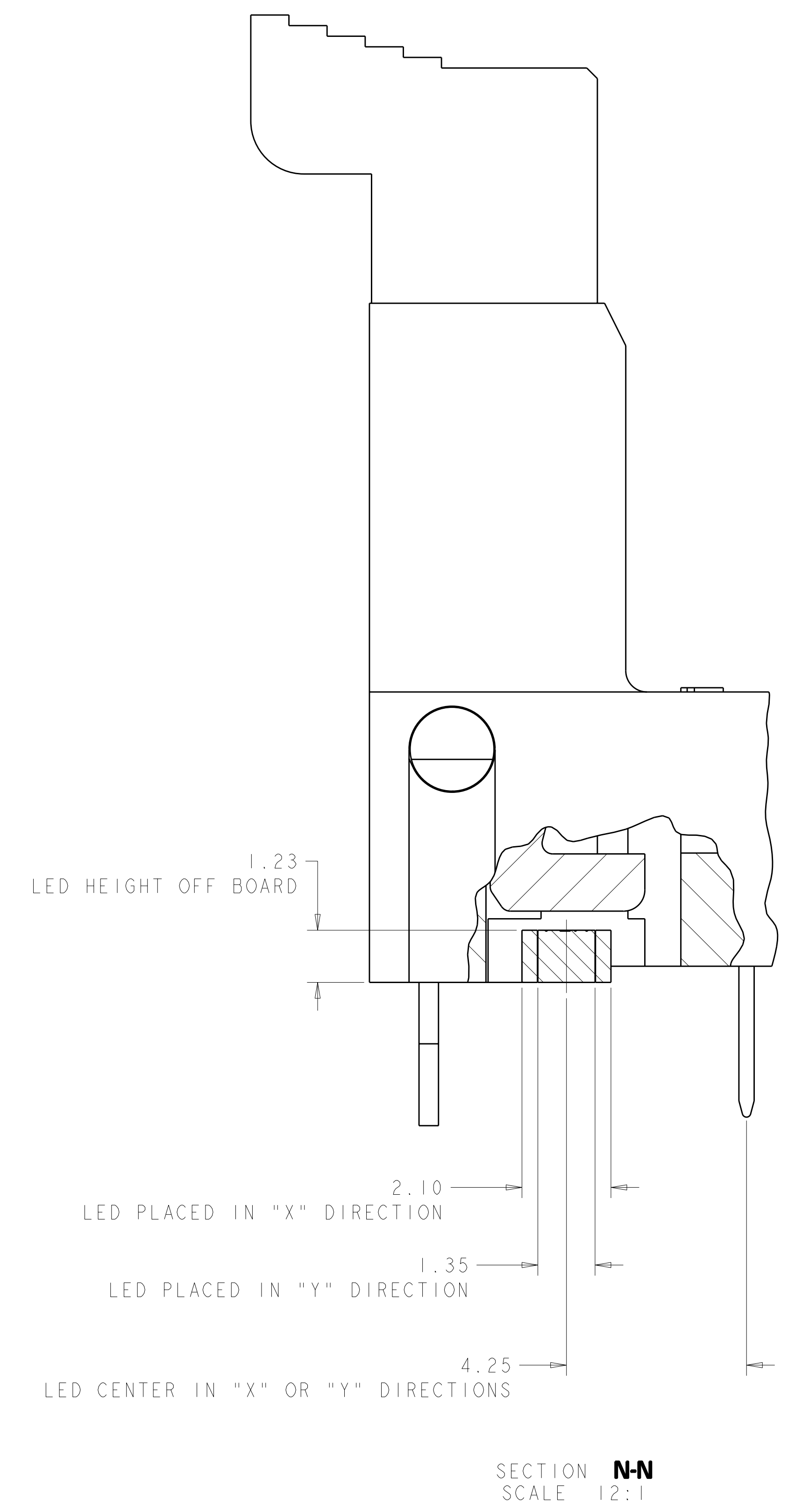
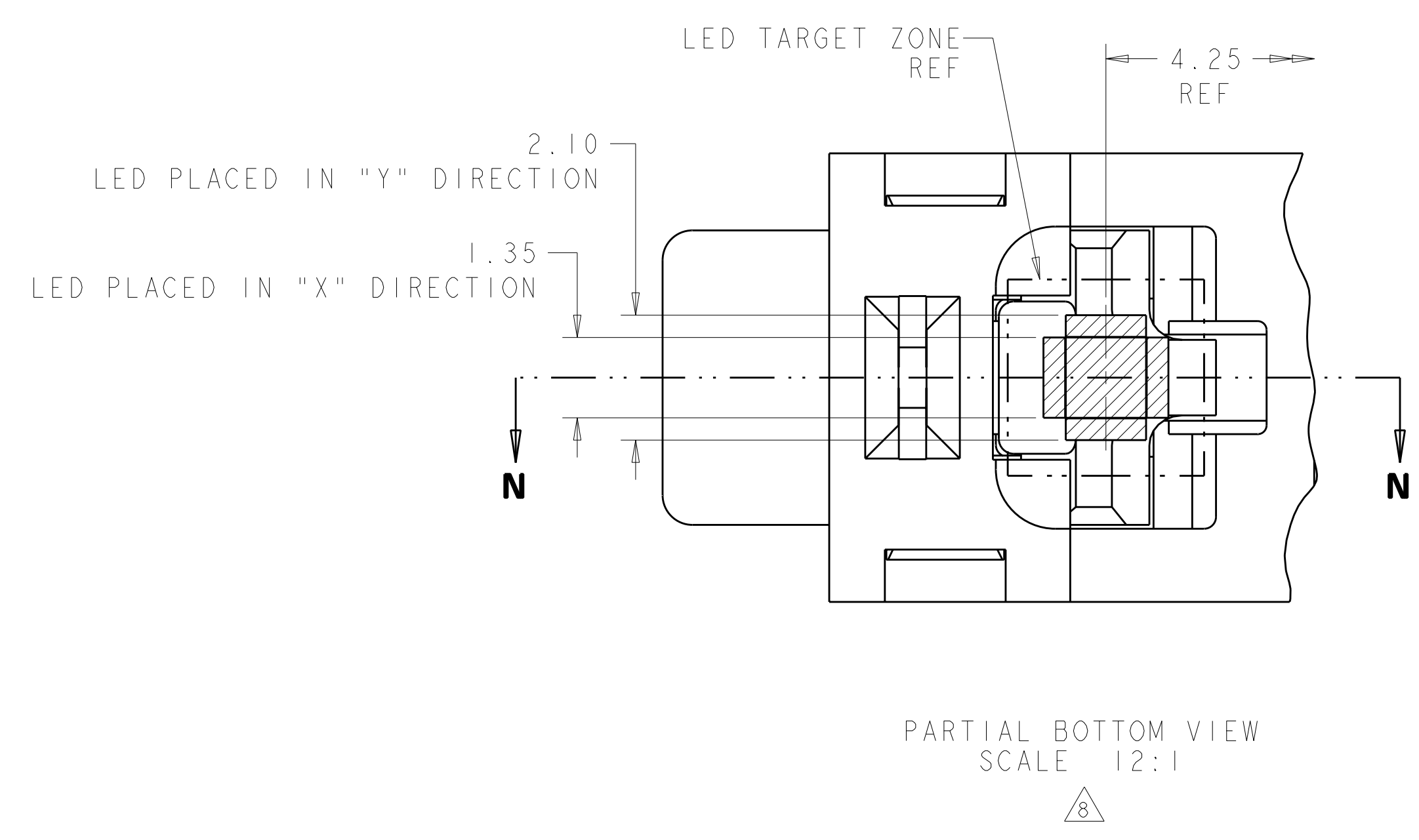
- MATERIALS:**
 HOUSING: HIGH TEMPERATURE NYLON, BLACK, UL94 V-0
 EXTRACTOR: HIGH TEMPERATURE THERMOPLASTIC
 CONTACTS: COPPER ALLOY
 RETENTION BARB: STAINLESS STEEL
- INTERFACE FINISH:**
 (1) 0.00076 MIN THK GOLD OVER 0.00127 MIN THK NICKEL
 (2) 0.00038 MIN THK GOLD OVER 0.00127 MIN THK NICKEL
 (3) 0.00008 MIN THK GOLD OVER 0.00127 MIN THK NICKEL
- FINISHED HOLE SIZE:** 0.15 MAXIMUM ANNULAR RING.
- KEEP OUT ZONE.**
- KEEP OUT AREA RESERVED FOR SOCKET EXTRACTORS, BOTH ENDS.**
- SOLDERTAIL FINISH:**
 0.00300 MIN THK BRIGHT TIN-LEAD OVER 0.00127 MIN THK NICKEL.
- SOLDERTAIL FINISH:**
 0.00300 MIN THK MATTE TIN OVER 0.00127 MIN THK NICKEL.
- LED LOCATION AS APPLICABLE PER CUSTOMER.**
- DATUM -G- IS CONNECTOR SIDE SURFACE OF PCB.**
- OBsolete PARTS: OBsolete CIS STREAMLINING PER D.RENAUD/D.SINISI**



PLC	Color	Finish	Thickness	Length	Part Number
4	BLACK	△	0.00038 MIN	4.00	2-1761024-4
3	BLACK	△	0.00038 MIN	3.18	2-1761024-3
2	BLACK	△	0.00038 MIN	2.67	2-1761024-2
1	BLACK	△	0.00038 MIN	4.00	2-1761024-1
0	BLACK	△	0.00038 MIN	3.18	2-1761024-0
9	NATURAL	△	0.00076 MIN	2.67	1-1761024-9
8	NATURAL	△	0.00076 MIN	4.00	1-1761024-8
7	NATURAL	△	0.00076 MIN	3.18	1-1761024-7
6	NATURAL	△	0.00076 MIN	2.67	1-1761024-6
5	NATURAL	△	0.00076 MIN	4.00	1-1761024-5
4	NATURAL	△	0.00076 MIN	3.18	1-1761024-4
3	NATURAL	△	0.00076 MIN	2.67	1-1761024-3
2	NATURAL	△	0.00076 MIN	4.00	1-1761024-2
1	NATURAL	△	0.00076 MIN	3.18	1-1761024-1
0	NATURAL	△	0.00076 MIN	2.67	1-1761024-0
9	OBsolete	△	0.00008 MIN	4.00	1-1761024-9
8	OBsolete	△	0.00008 MIN	3.18	1761024-8
7	OBsolete	△	0.00008 MIN	2.67	1761024-7
6	OBsolete	△	0.00008 MIN	4.00	1761024-6
5	OBsolete	△	0.00038 MIN	3.18	1761024-5
4	OBsolete	△	0.00038 MIN	2.67	1761024-4
3	OBsolete	△	0.00076 MIN	4.00	1761024-3
2	OBsolete	△	0.00076 MIN	3.18	1761024-2
1	OBsolete	△	0.00076 MIN	2.67	1761024-1

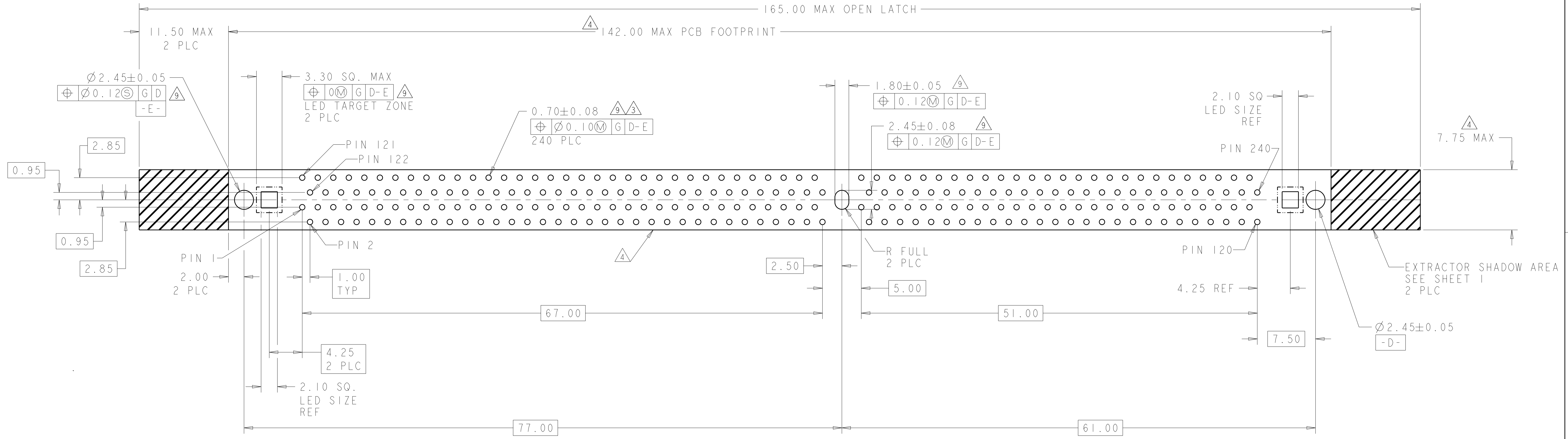
DIMENSIONS: mm		TOLERANCES UNLESS OTHERWISE SPECIFIED:		DWN: D. RINGLER 11FEB2004		Tyco Electronics Harrisburg, PA 17105-3608	
9 PLC	±.5	9 PLC	±.5	CHK: M. CORRELL 18FEB2004	NAME: SOCKET ASSEMBLY, VERTICAL FB DIMM, SOLDER TAIL, 240 POSITION		
5 PLC	±.13	5 PLC	±.13	APPD: M. YEOMANS 20SEP2005	PRODUCT SPEC: 108-2214		
4 PLC	±.013	4 PLC	±.013	APPLICATION SPEC: 114-13154			
ANGLES	±.0001	FINISH		WEIGHT		SIZE: CAGE CODE: DRAWING NO: RESTRICTED TO	
MATERIAL		FINISH		WEIGHT		SIZE: CAGE CODE: DRAWING NO: RESTRICTED TO	
CUSTOMER DRAWING				SCALE: 4:1		REV: B3	

LOC	DIST	REVISIONS			
P	LTB	DESCRIPTION	DATE	DWN	APVD
GP	00	SEE SHEET 1	-	-	-

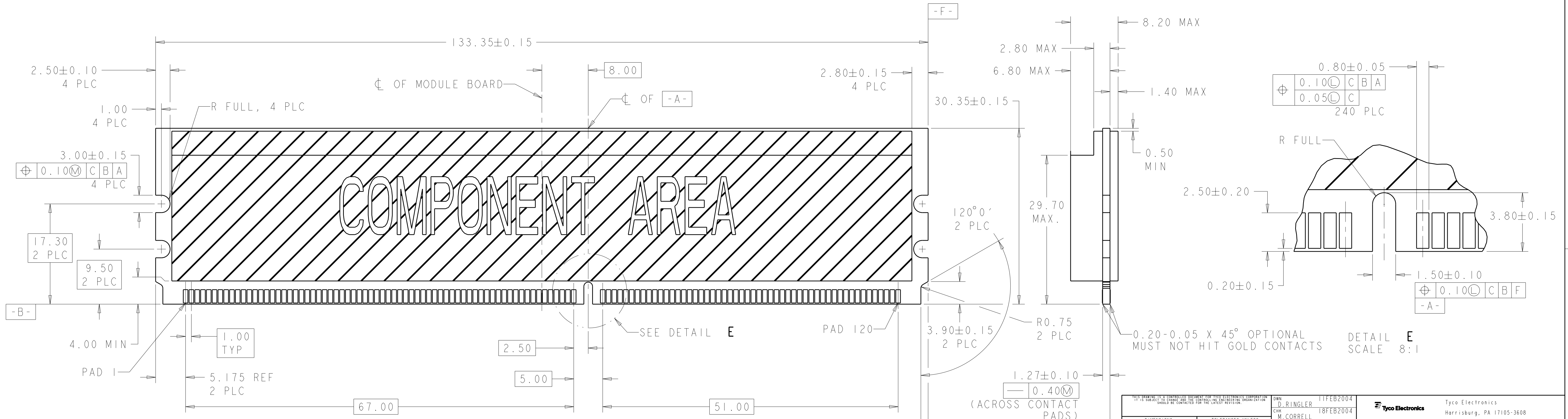


<small>THIS DRAWING IS UNPUBLISHED. RELEASED FOR PUBLICATION 2004. ALL RIGHTS RESERVED. THIS DRAWING IS THE PROPERTY OF TYCO ELECTRONICS CORPORATION. IT IS SUBJECT TO CHANGE WITHOUT NOTICE AND WITHOUT OBLIGATION. SHOULD BE CONTACTED FOR THE LATEST REVISION.</small>		DWN D. RINGLER 11FEB2004 CHK M. CORRELL 18FEB2004 APVD M. YEOMANS 20SEP2005	Tyco Electronics Harrisburg, PA 17105-3608
DIMENSIONS: mm 	TOLERANCES UNLESS OTHERWISE SPECIFIED: 9 PLC ± 8 PLC ±0.5 5 PLC ±0.13 4 PLC ±0.013 ANGLES ±0.0001 FINISH ±	NAME SOCKET ASSEMBLY, VERTICAL FB DIMM, SOLDER TAIL, 240 POSITION PRODUCT SPEC 108-2214 APPLICATION SPEC 114-13154 WEIGHT CUSTOMER DRAWING	SIZE CAGE CODE DRAWING NO A11 00779 C-1761024 RESTRICTED TO SCALE 4:1 SHEET 2 OF 3 REV B3

LOC		DIST		REVISIONS			
GP	00	P	LTB	DESCRIPTION	DATE	DWN	APVD
-	-	-	-	SEE SHEET 1	-	-	-



RECOMMENDED PCB LAYOUT
 VIEWED FROM CONNECTOR SIDE



RECOMMENDED MODULE LAYOUT
 SCALE 3:1

<small>THIS DRAWING IS UNPUBLISHED. RELEASED FOR PUBLICATION BY TYCO ELECTRONICS CORPORATION, ALL RIGHTS RESERVED.</small> <small>THIS IS SUBJECT TO CHANGE WITHOUT NOTICE AND WITHOUT OBLIGATION. DIMENSIONS ARE GIVEN IN MILLIMETERS UNLESS OTHERWISE SPECIFIED.</small>		DWN: D. RINGLER 11FEB2004 CHW: M. CORRELL 18FEB2004 APVD: M. YEOMANS 20SEP2005	Tyco Electronics Harrisburg, PA 17105-3608
DIMENSIONS: mm	TOLERANCES UNLESS OTHERWISE SPECIFIED: 9 PLC ±0.5 1 PLC ±0.13 5 PLC ±0.13 4 PLC ±0.001 ANGLES ±0.001	NAME: SOCKET ASSEMBLY, VERTICAL FB DIMM, SOLDER TAIL, 240 POSITION PRODUCT SPEC: 108-2214 APPLICATION SPEC: 114-13154	SIZE: A11 CAGE CODE: 00779 DRAWING NO: C=1761024 RESTRICTED TO: REV B3
MATERIAL:	FINISH:	WEIGHT:	CUSTOMER DRAWING: SCALE 1:1 SHEET 3 OF 3