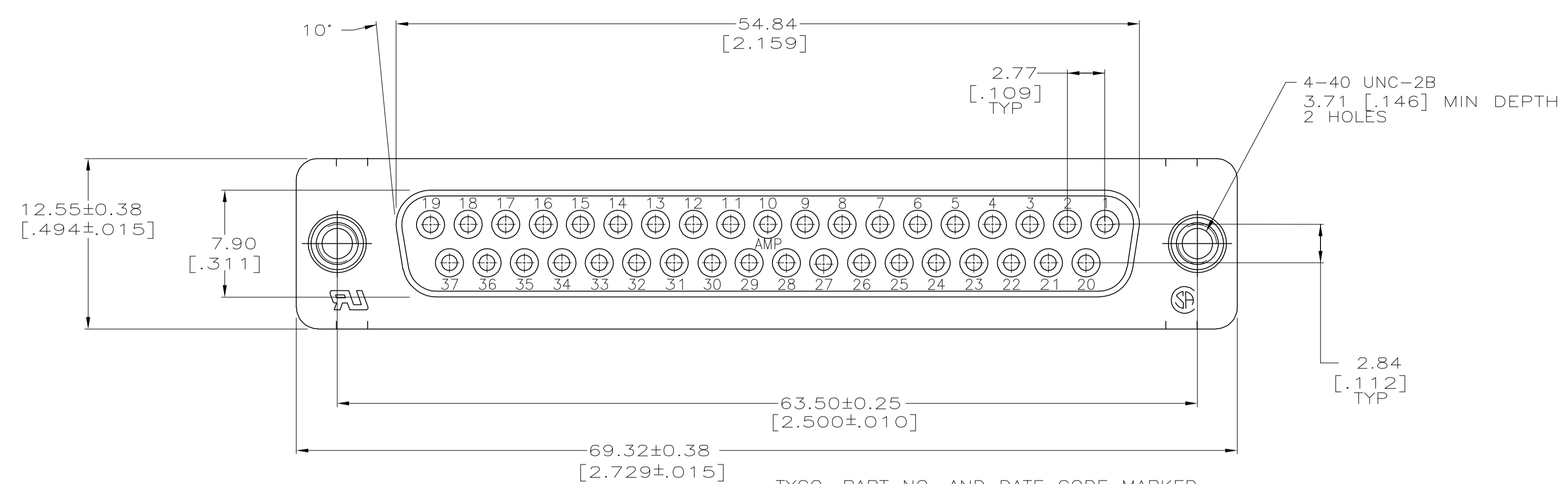
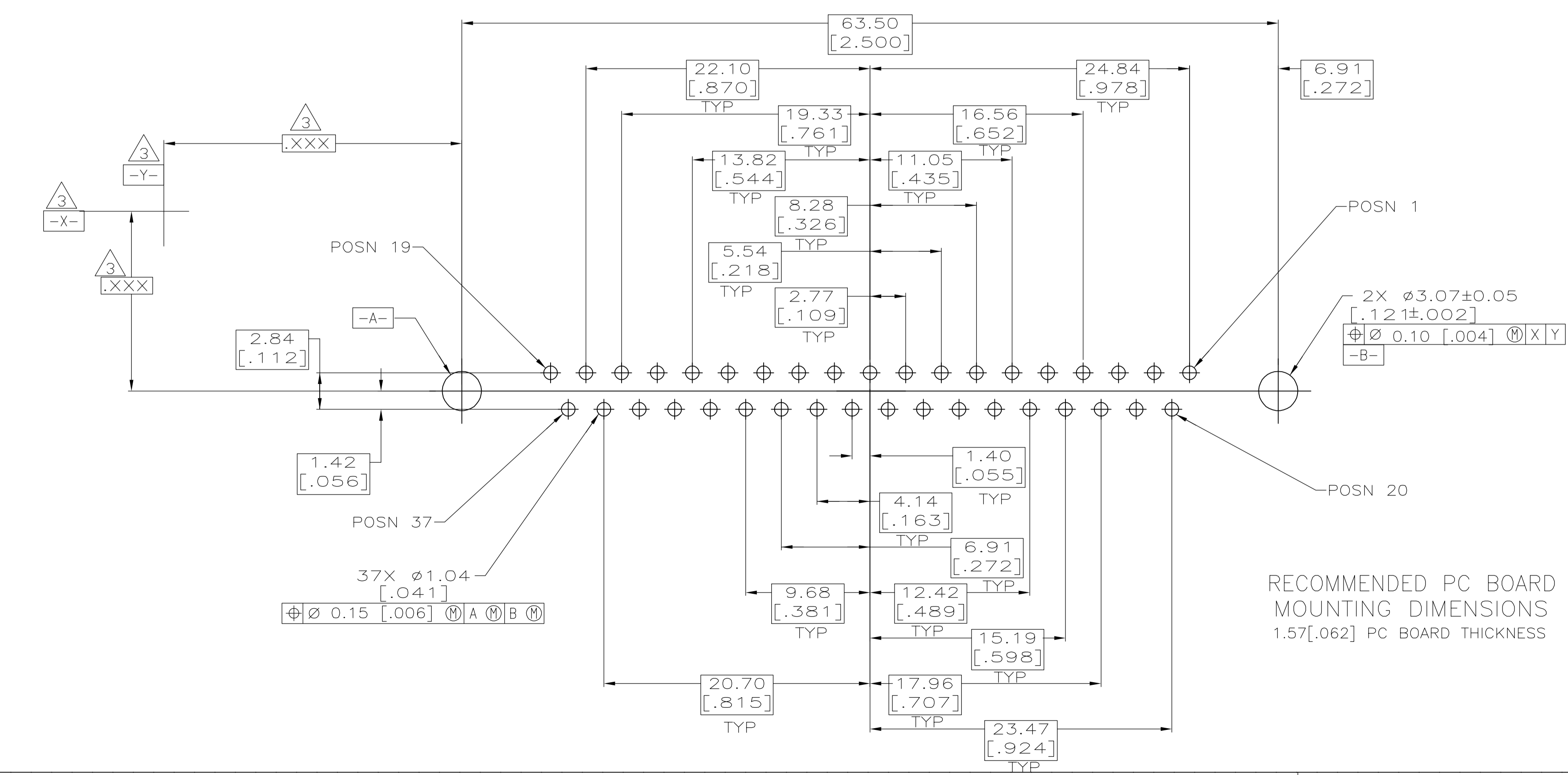
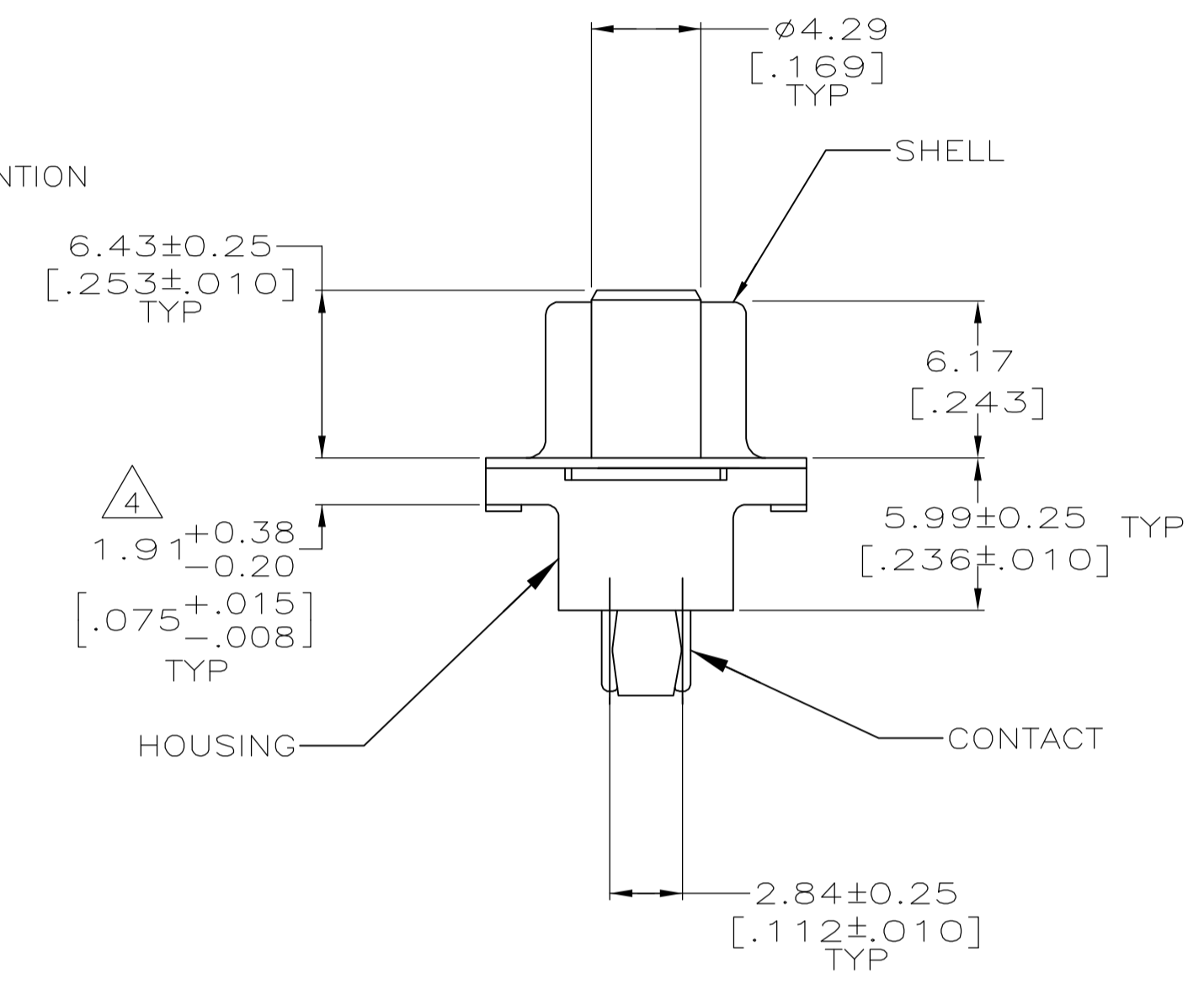
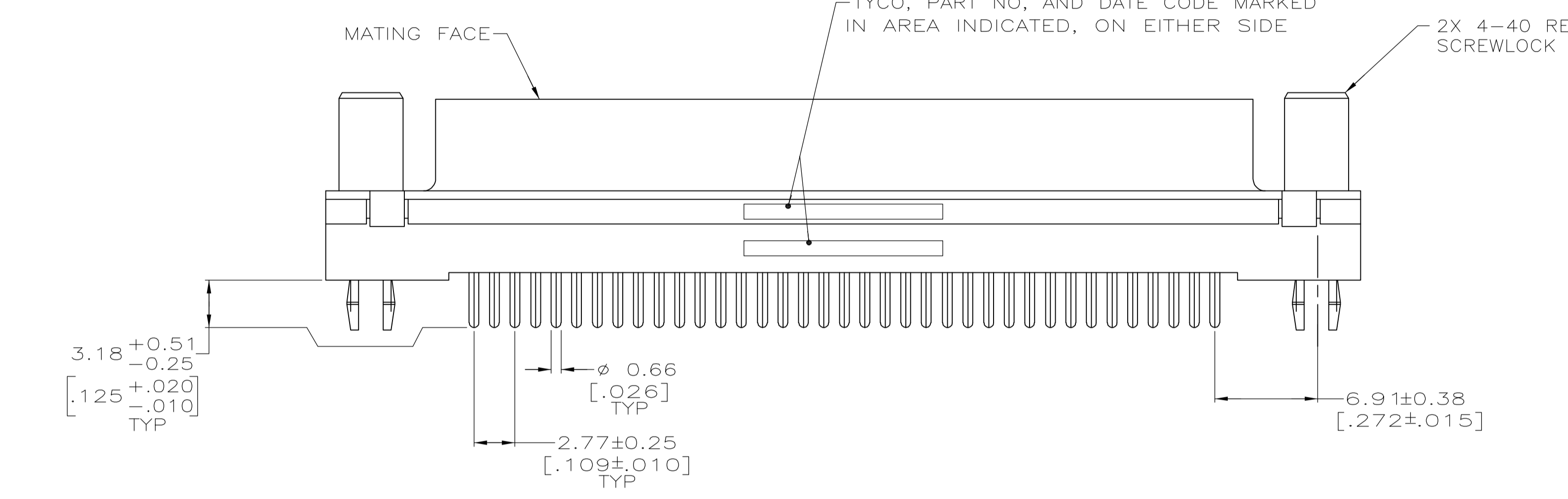


LOC		DIST		REVISIONS			
GP	00	REV	DATE	BY	APP'D		
A	REL PER EC 0513-0043-05		03OCT05	BL	JG		



- 1 HOUSING: POLYESTER, UL 94V-0 RATED, COLOR BLACK.  
CONTACTS: PHOSPHOR BRONZE.  
RETENTION SCREWLOCKS: BRASS.  
SHELL: CARBON STEEL.
- 2 SHELL: 5.08µm[.000200] MIN TIN OVER 2.54µm[.000100] MIN COPPER.  
CONTACTS: 0.76µm[.000030] MIN GOLD FOR A LENGTH OF 1.40 [.055] MIN FROM MATING END, 2.54µm[.000100] MIN TIN ON OPPOSITE END,  
BOTH OVER 1.27µm[.000030] MIN NICKEL OVER COPPER FLASH.  
RETENTION SCREWLOCKS: 2.54µm[.000100] MIN TIN OVER 1.27µm[.000050] MIN NICKEL OVER COPPER FLASH.
- 3 DATUMS AND BASIC DIMENSIONS ESTABLISHED BY CUSTOMER.
- 4 2.79[.110] MAX IN SHELL TAB CLINCH AREAS.



RECOMMENDED PC BOARD MOUNTING DIMENSIONS  
 1.57[.062] PC BOARD THICKNESS

5787685-1  
 PART NUMBER

THIS DRAWING IS A CONTROLLED DOCUMENT.		DWG: B. LATTUCA	03OCT05		Tyco Electronics Corporation Harrisburg, PA 17105-3608	
DIMENSIONS: mm [INCHES]		CHK: S. BOLASH	03OCT05		NAME: M. WALMSLEY	RECEPTACLE ASSEMBLY, SIZE 4, 37 POSITION, FRONT METAL SHELL, RETENTION SCREWLOCKS, AMPLIMITE HD-20
TOLERANCES UNLESS OTHERWISE SPECIFIED:		0 PLC ± -		PRODUCT SPEC: 108-40025	SIZE: 114-40023	
1 PLC ± -		1.27 ± .002		APPLICATION SPEC: 114-40023	SCALE: 4:1	
2 PLC ± 0.13 [0.005]		3 PLC ± -		WEIGHT: -	SHEET 1 OF 1	
3 PLC ± -		4 PLC ± -		CUSTOMER DRAWING	REV A	
ANGLES ± -		FINISH: 1, 2		DRAWING NO: 00779C=5787685		