

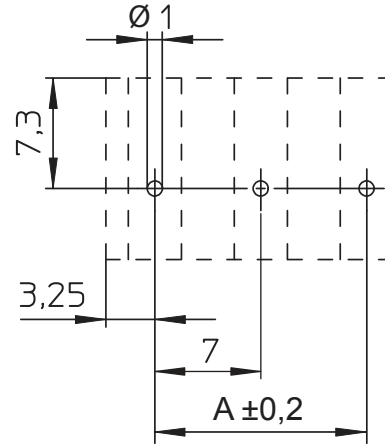
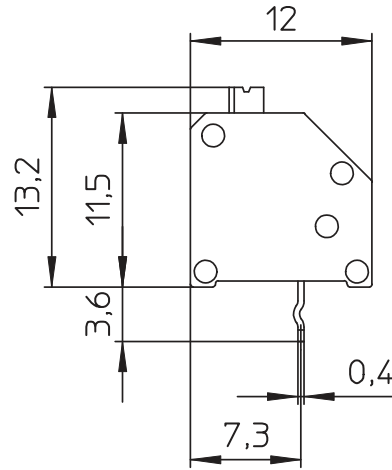
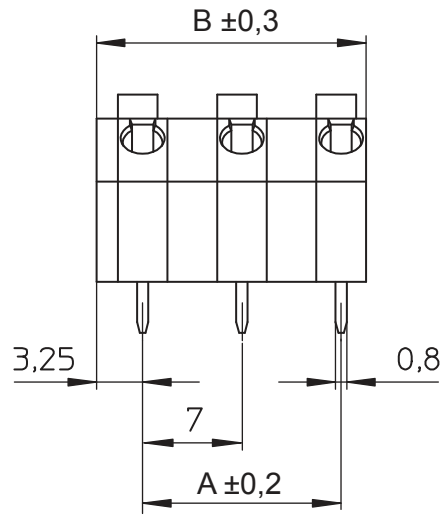
1

2

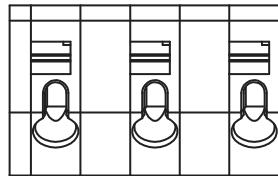
3

4

5



PCB LAYOUT - COMPONENT VIEW



TECHNICAL CHARACTERISTICS

MATERIAL
 INSULATOR: PA6/66
 FLAMMABILITY RATING: UL94V0
 COLOR: GREY
 METAL HOUSING: PHOSPHOR BRONZE / Sn
 WIRE GUARD: PHOSPHOR BRONZE / Sn

ENVIRONMENTAL
 OPERATING TEMPERATURE: -30°C UP TO +120°C
 COMPLIANCE: LEAD FREE AND ROHS

| | | |
|-----------------------|-----------|---------|
| ELECTRICAL | UL | VDE |
| CURRENT RATING: | 4 A | 4 A |
| WORKING VOLTAGE: | 300 VAC | 750 VAC |
| WITHSTANDING VOLTAGE: | 1,6 KV | 2,5 KV |
| CONTACT RESISTANCE: | 20 mΩ MAX | |

STANDARD

| | |
|---------------------|--------------------|
| CERTIFIED: E150931 | CAT. N°: MRT24 (3) |
| CERTIFIED: 40013441 | TYPE: MRT24 |

MECHANICAL

SOLID WIRE: 30-16 AWG / 0,05-1,31 mm²
 STRANDED WIRE: 30-16 AWG / 0,05-1,31 mm²

WIRE STRIPE LENGTH: 7 mm
 PITCH: 7 mm

SOLDERING
 JEDEC LEAD FREE WAVE SOLDERING

PACKAGING
 BOX

A = (nb. pin-1) x pitch

B = (nb. pin x pitch) - 2

RoHS Compliant

| | | | |
|-----|-----------|------|----|
| G | | | |
| F | | | |
| E | | | |
| D | | | |
| C | | | |
| B | | | |
| A | 18-FEB-16 | PDF | AK |
| REV | DATE | FILE | BY |

PROJECTION:

GENERAL TOLERANCE
 ±0,1



APPROVAL: FBr

UNIT: MM
 SCALE:
 SHEET: 1/2
 DRAW: AK

DESCRIPTION: SERIE 4182 - 7.00 MM - 45° CABLE ENTRY SCREWLESS - WR-TBL
 WERI PART NO: 691 418 220 0xx

SIZE
A4

1

2

3

4

5

Cautions and Warnings:

This electronic component is designed and developed with the intention for use in general electronics equipments.

Before incorporating the components into any equipments in the field such as aerospace, aviation, nuclear control, submarine, transportation, (automotive control, train control, ship control), transportation signal, disaster prevention, medical, public information network etc. where higher safety and reliability are especially required or if there is possibility of direct damage or injury to human body, Würth Elektronik must be asked for a written approval.

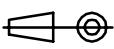

In addition, even electronic component in general electronic equipments, when used in electrical circuits that require high safety, reliability functions or performance, the sufficient reliability evaluation-check for the safety must be performed before by the user before usage.

A

B

C

RoHS Compliant

| | | | | | | | |
|-----|-----------|------|----|--|-------------------|---|-------------------|
| G | | | | PROJECTION:  | GENERAL TOLERANCE |  WÜRTH ELEKTRONIK | |
| F | | | | | | | |
| E | | | | | | | |
| D | | | | | | | |
| C | | | | APPROVAL: JC | UNIT: MM | DESCRIPTION: DISCLAIMER | SIZE A4 |
| B | | | | | SCALE: | | |
| A | 10-SEP-14 | PDF | QL | | SHEET: 2/2 | WERI PART NO: DISCLAIMER | |
| REV | DATE | FILE | BY | | DRAW: QL | | |

D