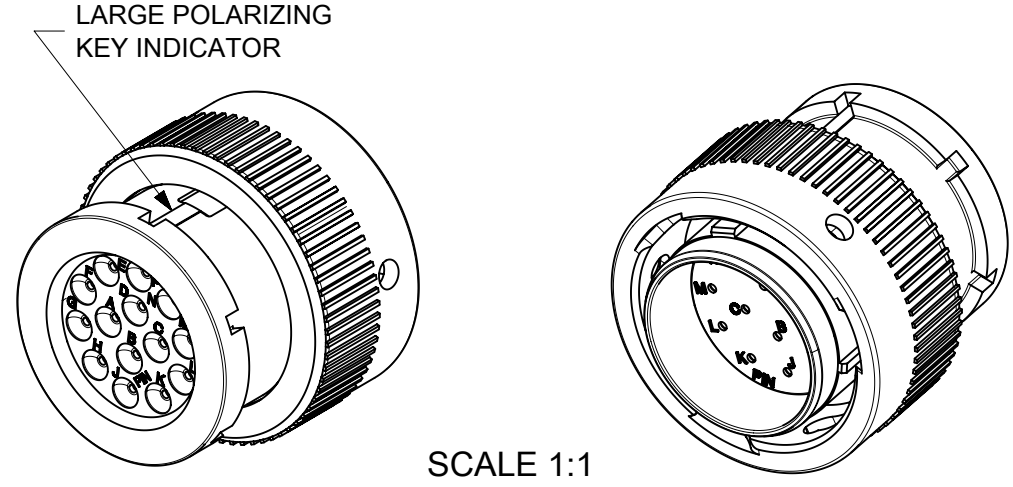
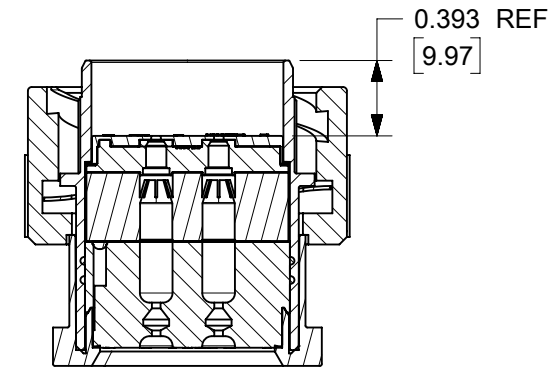
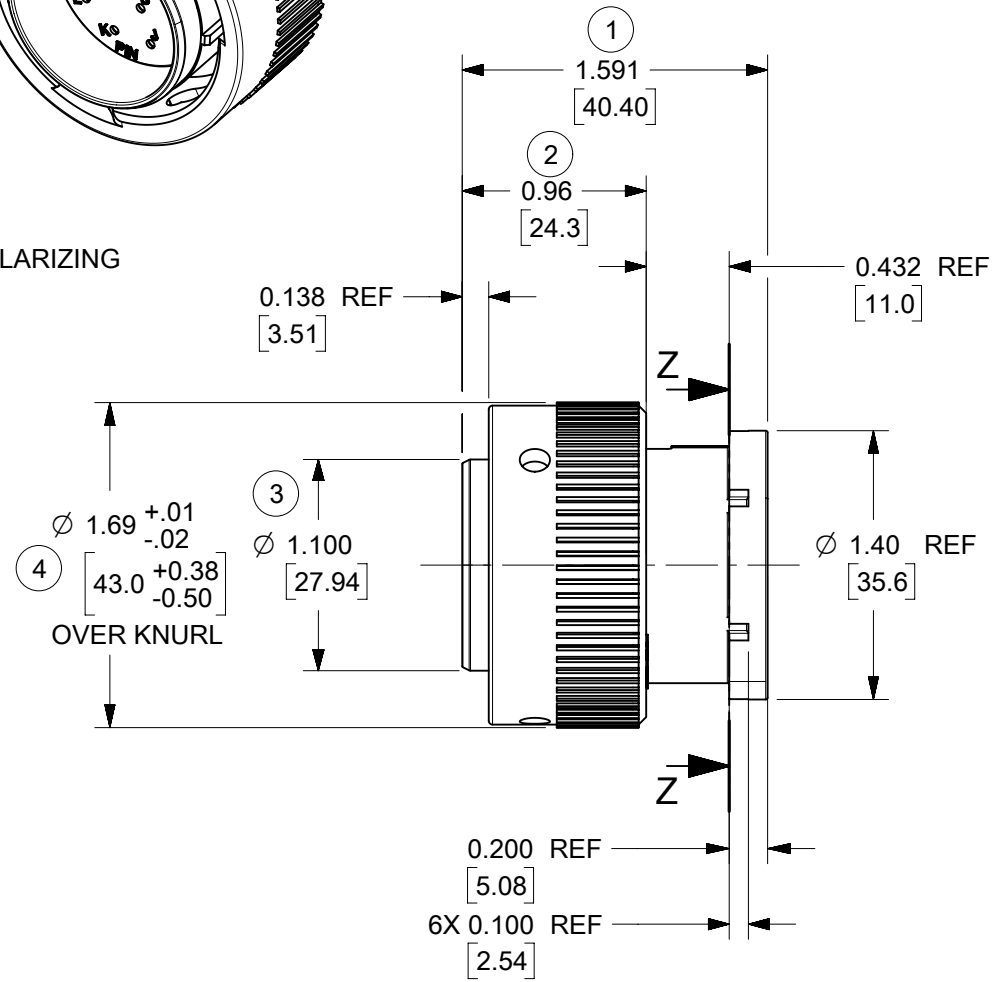
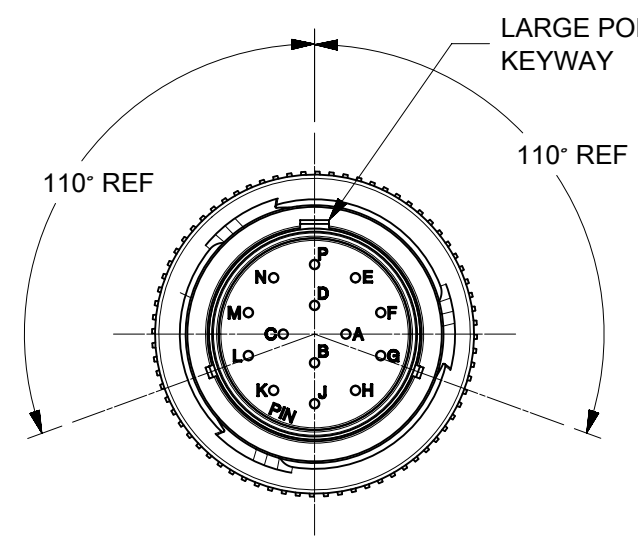


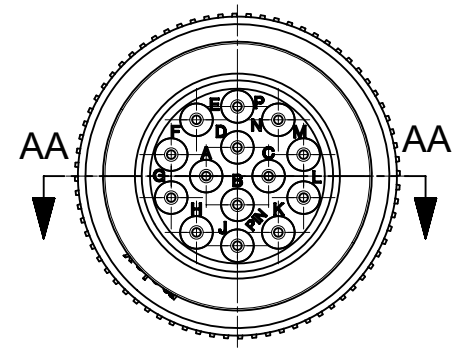
10	9	8	7	6	5	4	3	2	1
MATERIAL NUMBER		WIRE AWG		INSUL DIA O.D.					
845010001		18-14		.053[1.35] - .134[3.40]					



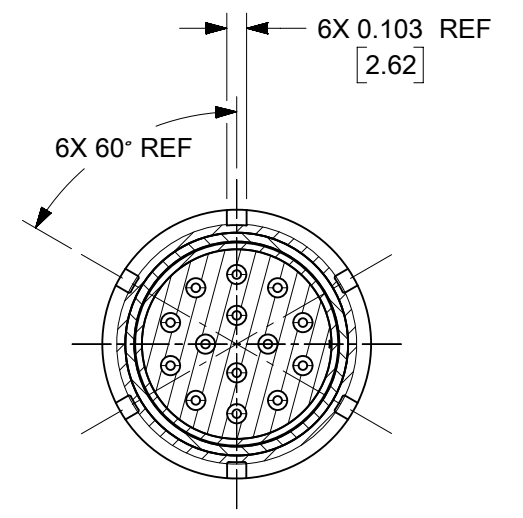
SCALE 1:1



SECTION AA-AA



WIRE ENTRY VIEW



SECTION Z-Z

- NOTES:
- MATERIALS:
HOUSINGS: POLYESTER (PBT), GLASS FILLED, UL94V-0 & POLYETHERIMIDE (PEI), UNFILLED, UL94V-0.
COLOR, UNLESS OTHERWISE SPECIFIED: BLACK
SEALS: SILICONE RUBBER
COLOR: RUST RED
 - PRODUCT SPECIFICATION: PS-84501-001.
 - MATES WITH: SERIES 84508 RECEPTACLE CONNECTOR.
 - USE CONNECTOR WITH MALE CRIMP TERMINAL SERIES 84524.

LAST INSPECTION NUMBER: ④

THIS DRAWING CONTAINS INFORMATION THAT IS PROPRIETARY TO MOLEX ELECTRONIC TECHNOLOGIES, LLC AND SHOULD NOT BE USED WITHOUT WRITTEN PERMISSION									
DIMENSION UNITS		SCALE		CURRENT REV DESC:					
HYBRID		1:1		molex PLUG CONNECTOR ASSEMBLY, 18-14 POS PIN TERMINALS PRODUCT CUSTOMER DRAWING EC NO: 623621 DRWN: CRAODOREMS 2017/12/15 CHK'D: IOCONNELL 2019/10/14 APPR: IOCONNELL 2019/10/16 INITIAL REVISION: DRWN: DMYRICK 2006/2/8 APPR: RDEROSS 2006/2/8					
GENERAL TOLERANCES (UNLESS SPECIFIED)									
	MM	INCH							
4 PLACES	±	±	±						
3 PLACES	±	±	± 0.015						
2 PLACES	±	0.38	± 0.02						
1 PLACE	±	0.5	±						
0 PLACES	±	±	±						
ANGULAR TOL		± 1.0°		DOCUMENT NUMBER: SD-84501-001 DOC TYPE: PSD DOC PART: 001 REVISION: C2					
DRAFT WHERE APPLICABLE MUST REMAIN WITHIN DIMENSIONS		THIRD ANGLE PROJECTION		DRAWING		SERIES		MATERIAL NUMBER	
		B-SIZE		84501		SEE CHART		GENERAL MARKET	
SHEET NUMBER		1 OF 1							