
Si50122-Ax-EVB USER'S GUIDE

Description

Si50122-Ax is a high performance, crystal-less PCIe clock generator with internal CMEMS that can generate two 100 MHz HCSL and one 25 MHz LVCMOS clock outputs.

This document is intended to be used in conjunction with the Si50122-Ax-EVB, Si50122 device, and data sheet for the following tests:

- PCIe Gen 1, Gen 2, Gen 3 compliancy
- Power consumption test
- Jitter performance

The Si50122-Ax-EVB is used to evaluate the Si50122-Ax. Table 1 shows the device part number and corresponding evaluation board part number.

Table 1. Evaluation Board Orderable Part Number

Device Part Number	PCIe Compliant	Spread Spectrum	EVB Orderable Part Number
Si50122-A1-GM	Gen 1	No	Si50122-A3-EVB
Si50122-A2-GM	Gen 1	Yes	Si50122-A4-EVB
Si50122-A3-GM	Gen 1/2	No	Si50122-A3-EVB
Si50122-A4-GM	Gen 1/2	Yes	Si50122-A4-EVB
Si50122-A5-GM	Gen 1/2/3	No	Si50122-A5-EVB
Si50122-A6-GM	Gen 1/2/3	Yes	Si50122-A6-EVB

Si50122-Ax-EVB

1. Front Panel

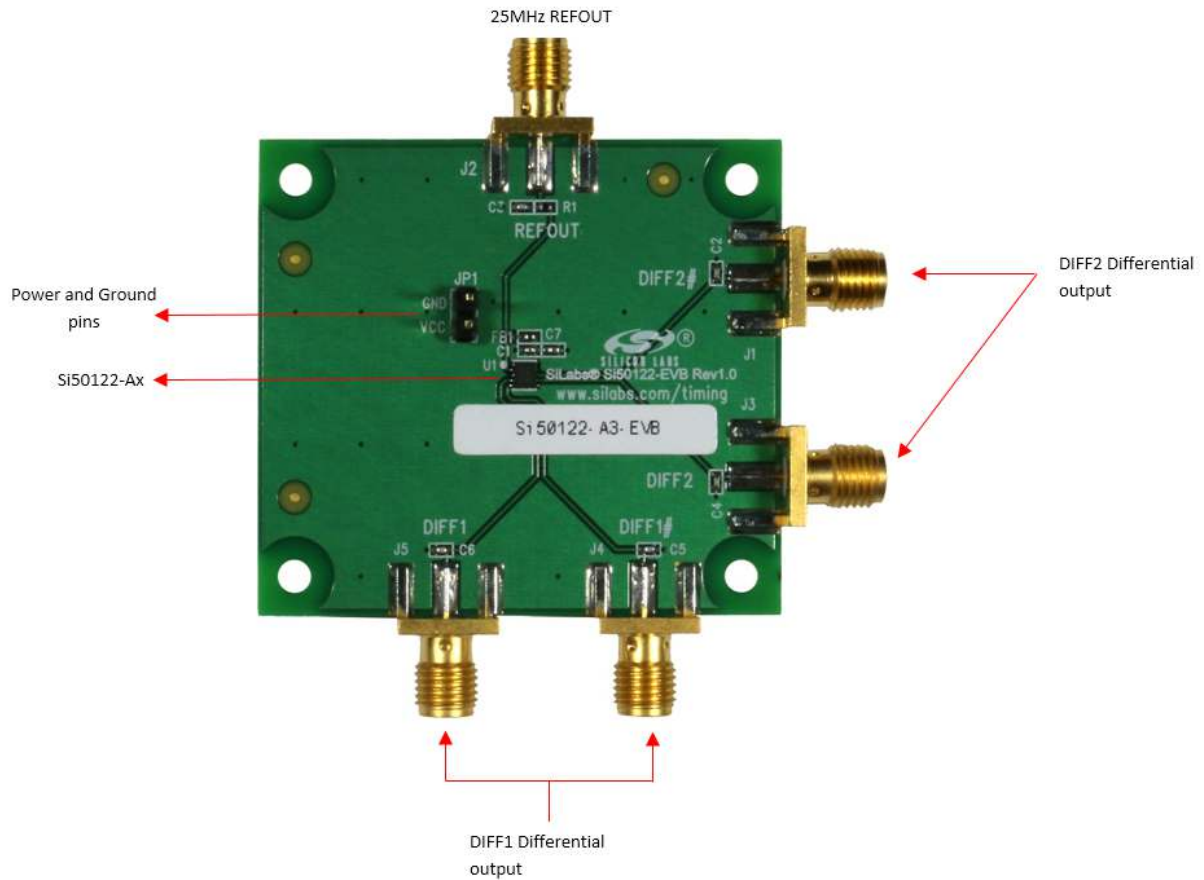


Figure 1. Evaluation Module Front Panel

To use Si50122-Ax-EVB:

1. Check to confirm that the device part number to be evaluated corresponds to the evaluation board – refer to Table 1.
2. Power up the EVB using the VCC and GND pins.
3. View and measure the outputs via the SMA connectors.

2. Schematics

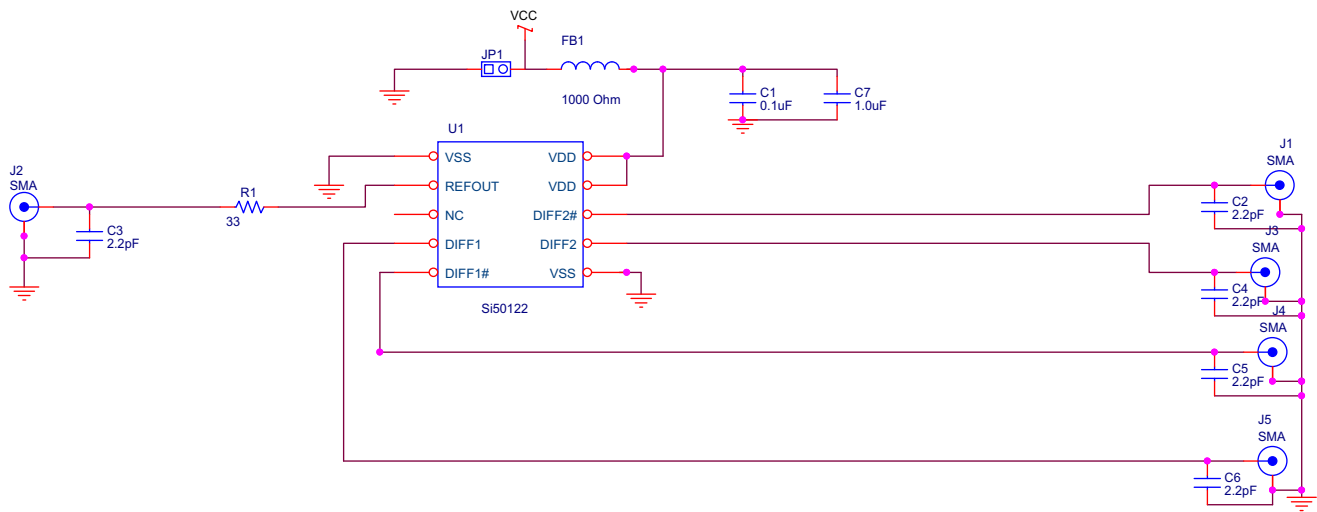


Figure 2. Si50122 Device Connection

Si50122-Ax-EVB

3. Bill of Materials

Item	Qty	Ref	Part	Rating	Tol	PCB Footprint	Manufacturer Part Number	Mfr
1	1	C1	0.1 μ F	16 V	\pm 10%	0402	C0402X7R160-104K	Venkel
2	4	C2	2.2 pF	50 V	\pm 0.1 pF	0402	C0402C0G500-2R2B	Venkel
		C3	2.2 pF					
		C4	2.2 pF					
		C5	2.2 pF					
		C6	2.2 pF					
3	2	JP1	HEADER 1x2	NA	NA	NA	TSW-102-07-G-S	Samtec
4	5	J1	SMA	NA	NA	NA	142-0701-801	Johnson Components
		J2	SMA					
		J3	SMA					
		J4	SMA					
		J5	SMA					
5	1	C7	1 μ F	6.3 V	\pm 10%	0402	C0402X5R6R3-105K	Venkel
6	1	R1	33 Ω	1/16 W	\pm 5%	0402	CR0402-16W-330J	Venkel
7	1	FB1	1000 Ω	200 mA		0402	BLM15AG102SN1	Murata
8	1	U1	Si50122	NA	NA	3X3 10-TDFN	Si50122	Si Labs



ClockBuilder Pro

One-click access to Timing tools, documentation, software, source code libraries & more. Available for Windows and iOS (CBGo only).

www.silabs.com/CBPro



Timing Portfolio
www.silabs.com/timing



SW/HW
www.silabs.com/CBPro



Quality
www.silabs.com/quality



Support and Community
community.silabs.com

Disclaimer

Silicon Laboratories intends to provide customers with the latest, accurate, and in-depth documentation of all peripherals and modules available for system and software implementers using or intending to use the Silicon Laboratories products. Characterization data, available modules and peripherals, memory sizes and memory addresses refer to each specific device, and "Typical" parameters provided can and do vary in different applications. Application examples described herein are for illustrative purposes only. Silicon Laboratories reserves the right to make changes without further notice and limitation to product information, specifications, and descriptions herein, and does not give warranties as to the accuracy or completeness of the included information. Silicon Laboratories shall have no liability for the consequences of use of the information supplied herein. This document does not imply or express copyright licenses granted hereunder to design or fabricate any integrated circuits. The products must not be used within any Life Support System without the specific written consent of Silicon Laboratories. A "Life Support System" is any product or system intended to support or sustain life and/or health, which, if it fails, can be reasonably expected to result in significant personal injury or death. Silicon Laboratories products are generally not intended for military applications. Silicon Laboratories products shall under no circumstances be used in weapons of mass destruction including (but not limited to) nuclear, biological or chemical weapons, or missiles capable of delivering such weapons.

Trademark Information

Silicon Laboratories Inc., Silicon Laboratories, Silicon Labs, SiLabs and the Silicon Labs logo, CMEMS®, EFM, EFM32, EFR, Energy Micro, Energy Micro logo and combinations thereof, "the world's most energy friendly microcontrollers", Ember®, EZLink®, EZMac®, EZRadio®, EZRadioPRO®, DSPLL®, ISOModem®, Precision32®, ProSLIC®, SiPHY®, USBXpress® and others are trademarks or registered trademarks of Silicon Laboratories Inc. ARM, CORTEX, Cortex-M3 and THUMB are trademarks or registered trademarks of ARM Holdings. Keil is a registered trademark of ARM Limited. All other products or brand names mentioned herein are trademarks of their respective holders.



Silicon Laboratories Inc.
400 West Cesar Chavez
Austin, TX 78701
USA

<http://www.silabs.com>