

6

5

4

3

2

1

E

E

D

D

C

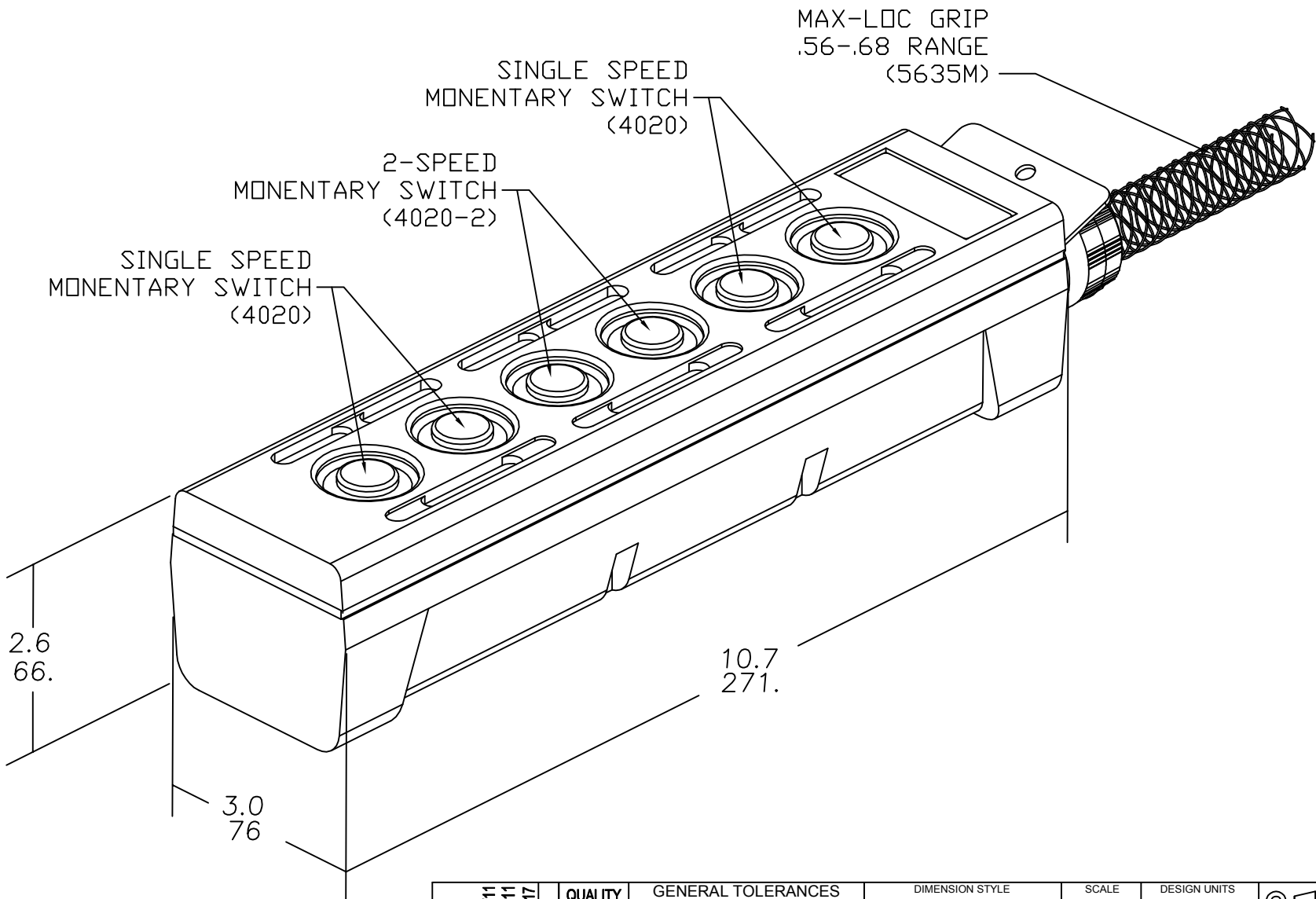
C

B

B

A

A



NOTE:

1. ALL DIMENSIONS ARE FOR REFERENCE ONLY.

CUSTOMER DRAWING EC NO: WNA2009-0028 DRWN: HKNEELAN 2008/07/11 CHKD: JP 2008/07/11 APPR: JPAWLICK 2008/07/17	QUALITY SYMBOLS $\nabla=0$ $\sphericalangle=0$	GENERAL TOLERANCES (UNLESS SPECIFIED)		DIMENSION STYLE INCH/MM		SCALE NTS	DESIGN UNITS INCH	THIRD ANGLE PROJECTION	
		4 PLACES	mm	INCH	DRAWN BY	DATE	TITLE 4026 W/4020-2 IN POSITIONS 3 & 4 AND MESH GRIP 5635M		
		3 PLACES	±----	±----	HK	2008/07/11	MOLEX INCORPORATED		
		2 PLACES	±----	±----	CHKD BY	DATE	DOCUMENT NO. SD-130126-006		
		1 PLACE	±----	±----	APPROVED BY	DATE	SHEET NO. 1 OF 1		
ANGULAR ±.5°		DRAFT WHERE APPLICABLE MUST REMAIN WITHIN DIMENSIONS		MATERIAL NO. 1301260291	THIS DRAWING CONTAINS INFORMATION THAT IS PROPRIETARY TO MOLEX INCORPORATED AND SHOULD NOT BE USED WITHOUT WRITTEN PERMISSION				
SIZE A									

6

5

4

3

2

1