

ANPS | Dismountable split set collars

Clamping assembly, technopolymer



- 1
- 2
- 3
- 4
- 5
- 6
- 7
- 8
- 9
- 10
- 11
- 12
- 13
- 14
- 15
- 16
- 17
- 18

MATERIAL

Glass-fibre reinforced polyamide based (PA) technopolymer.

SCREWS AND NUTS

Two cylindrical head screws with hexagon socket and AISI 316 stainless steel nuts supplied assembled with the two semi-split set collars.

FEATURES AND APPLICATIONS

- Suitable for assembly on idle shafts as end stops, for fixing end limit switches, pulleys, supporting pins or other components.
- They avoid damage to the surfaces of the shaft.
- Anticorrosive material: possibility of use even in the presence of liquids.
- Resistant to several cleaning cycles with solvents and other chemical agents, for this reason they can be used for applications in the pharmaceutical or food industry.

TECHNICAL DATA

Assembly on $h7 \div h11$ tolerance round shafts.

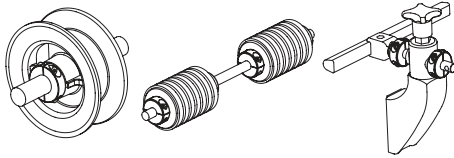
SPECIAL EXECUTIONS ON REQUEST

Dismountable split set collars with keyway DIN 6885/1.

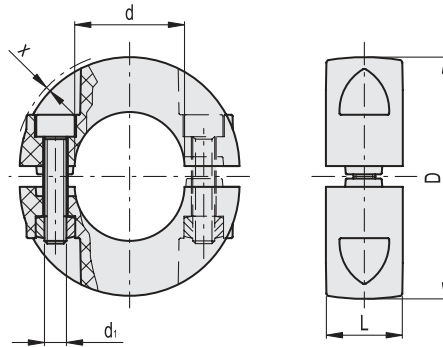


ELESA Original design

Application examples



Conversion Table	
1 mm = 0.039 inch	
d	
mm	inch
12	0.47
14	0.55
16	0.63
18	0.71
20	0.79
22	0.87
25	0.98
30	1.18
35	1.38
40	1.57



Code	Description	D	L	d	d1	x	Maximum tightening torque [Nm]	⚖️
319901	ANPS-12	35	13	12	M4	1	2	17
319911	ANPS-14	35	13	14	M4	1	2	16
319921	ANPS-16	35	13	16	M4	1	2	15
319931	ANPS-18	40	14	18	M4	0.75	2	20
319941	ANPS-20	40	14	20	M4	0.75	2	19
319945	ANPS-22	50	14	22	M5	2.40	3	33
319951	ANPS-25	50	14	25	M5	2.40	3	31
319961	ANPS-30	50	14	30	M5	2.40	3	29
319971	ANPS-35	65	14	35	M5	0.15	3	44
319981	ANPS-40	65	14	40	M5	0.15	3	39

Machine elements

