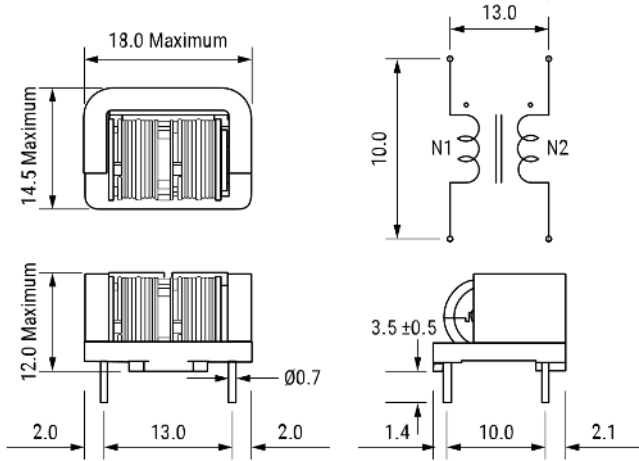


SSRH7H-M17029

Aliases (UALSH7M1702900)

KEMET, SSRH7H-M, AC Line Filters, Common Mode, 2.9 mH



Click [here](#) for the 3D model.

General Information

Series	SSRH7H-M
Style	Through-Hole
RoHS	Yes
Notes	M17 Lot No.
Miscellaneous	Temperature Rise Maximum: 55 K.
Core	Mn-Zn Ferrite

Specifications

Voltage AC	250 VAC
Inductance	2.9 mH (10 kHz)
Current	1.7 A
Temperature Range	-25/+120°C
DC Resistance	120 mOhms

Dimensions

L	18mm MAX
T	14.5mm MAX
H	12mm MAX
LL	3.5mm +/-0.5mm
S	13mm NOM
SI	10mm NOM
Wire Size	0.7mm

Packaging Specifications

Packaging	Tray
Packaging Quantity	600
Component Weight	5 g

Statements of suitability for certain applications are based on our knowledge of typical operating conditions for such applications, but are not intended to constitute - and we specifically disclaim - any warranty concerning suitability for a specific customer application or use. This information is intended for use only by customers who have the requisite experience and capability to determine the correct products for their application. Any technical advice inferred from this information or otherwise provided by us with reference to the use of our products is given gratis, and we assume no obligation or liability for the advice given or results obtained.