

THIS DRAWING IS UNPUBLISHED.

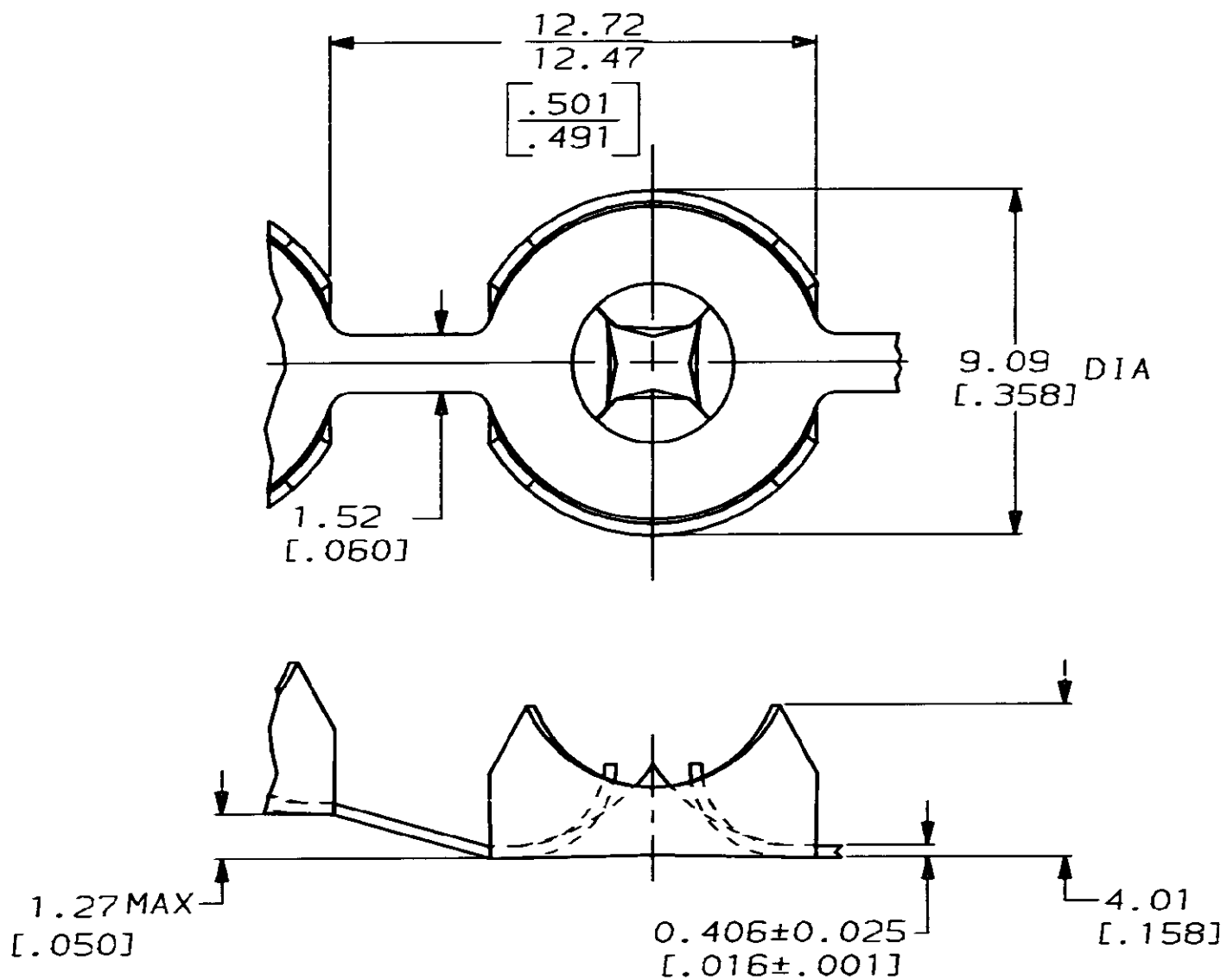
RELEASED FOR PUBLICATION

, 19

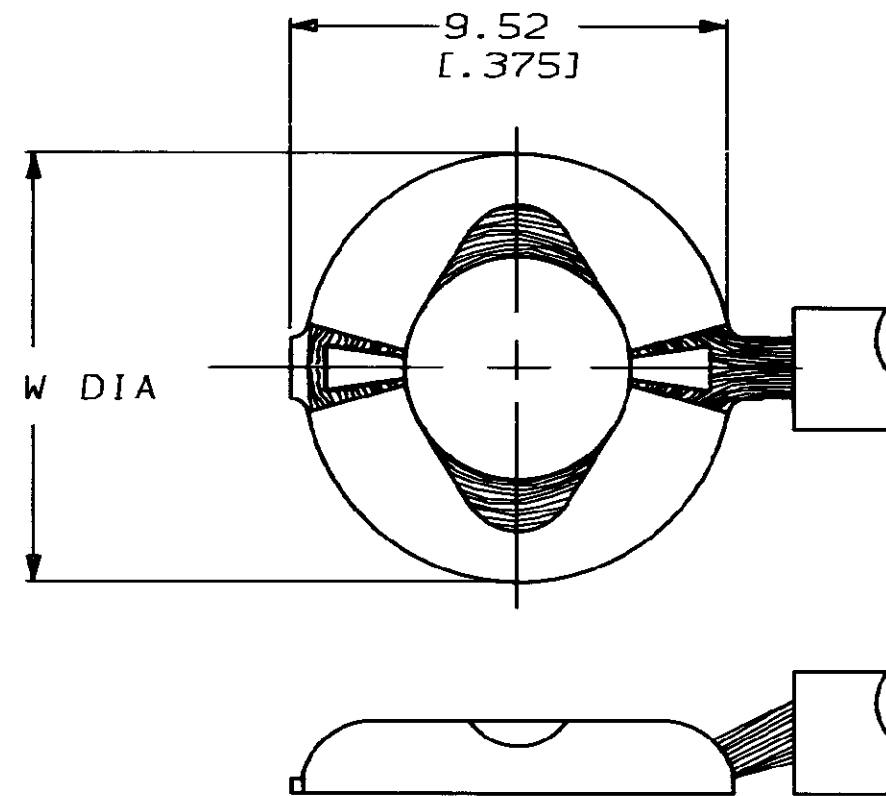
© COPYRIGHT 19

BY AMP INCORPORATED. ALL INTERNATIONAL RIGHTS RESERVED.

LOC	DIST	P	F	ZONE	LTR	DESCRIPTION	DATE	APPD
AF	50				D	REV AND REDRAWN PER AF-6382	12/12/89	PF/MF



1 CONTINUOUS STRIP ON REELS



9.78 [.385]	5.56 [.219]	0.8mm ² - 2.0mm ² [18-14] AWG	62376-1
W	HOLE DIA ± 0.13 [.005]	WIRE SIZE	PART NO

DO NOT SCALE PRINT.
UNLESS SPECIFIED
DIMENSIONS IN INCHES
TOLERANCES ON:
2 PLC DEC ± -
3 PLC DEC ± 0.38 [.015]
ANGLES ± -

MATERIAL
#1 HARD BRASS
OIL LUBRICATED

FINISH

DR 1/26/90
P FORTNEY
CHK 1/26/90
MS FEHER
APPD 2/2/90
G YETTER
APPD 2/2/90
R KLIZO
PRODUCT SPEC
-
APPLICATION SPEC
-
WEIGHT -

AMP AMP INCORPORATED
Harrisburg, Pa. 17105

NAME
EYELET, CROWN CRIMP

SIZE B	CAGE CODE 00779	DRAWING NO 62376
SCALE 6:1	SHEET 1 OF 1	

METRIC