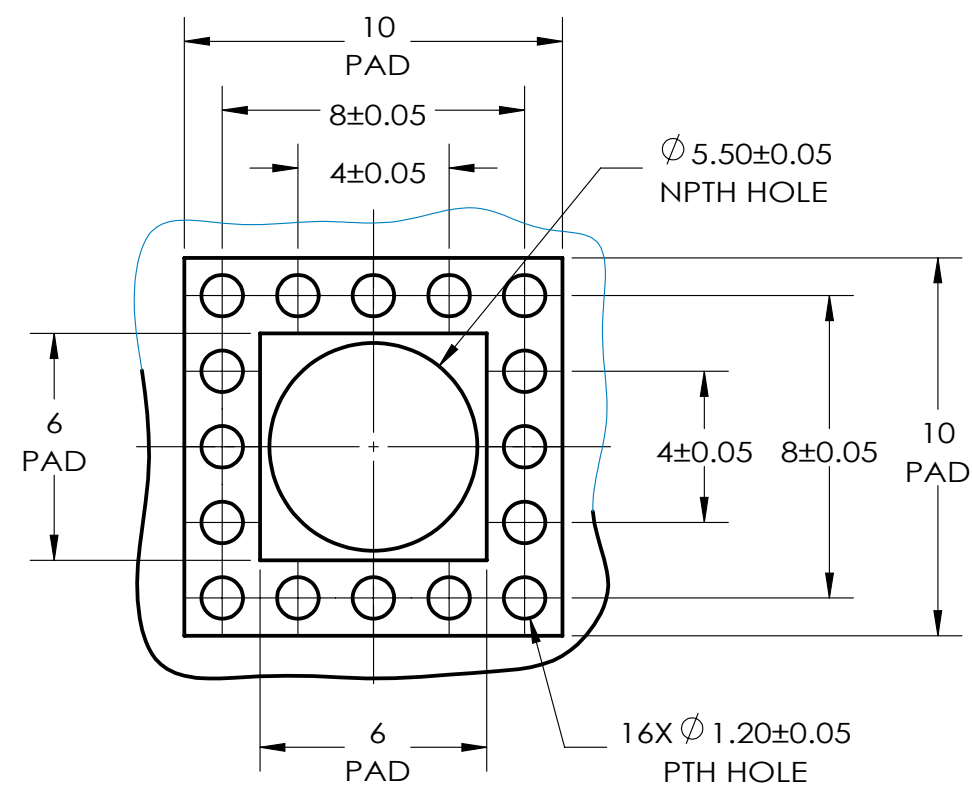


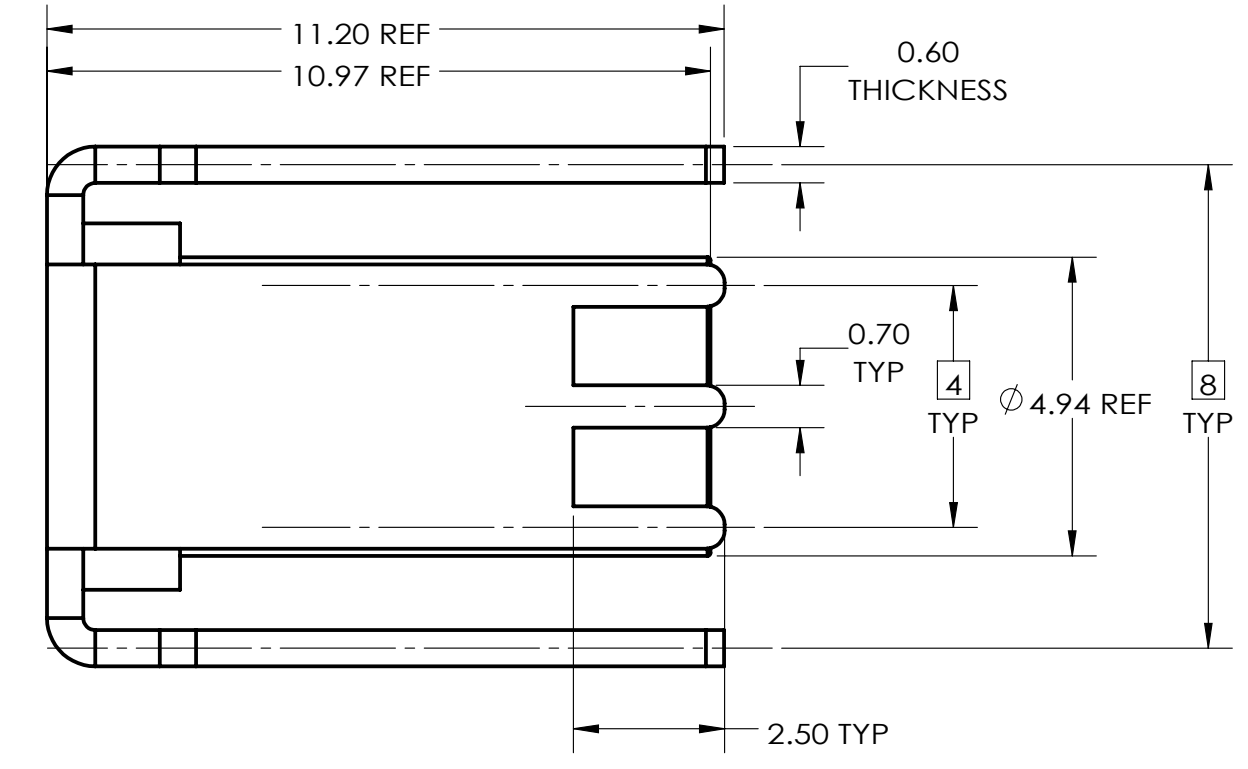
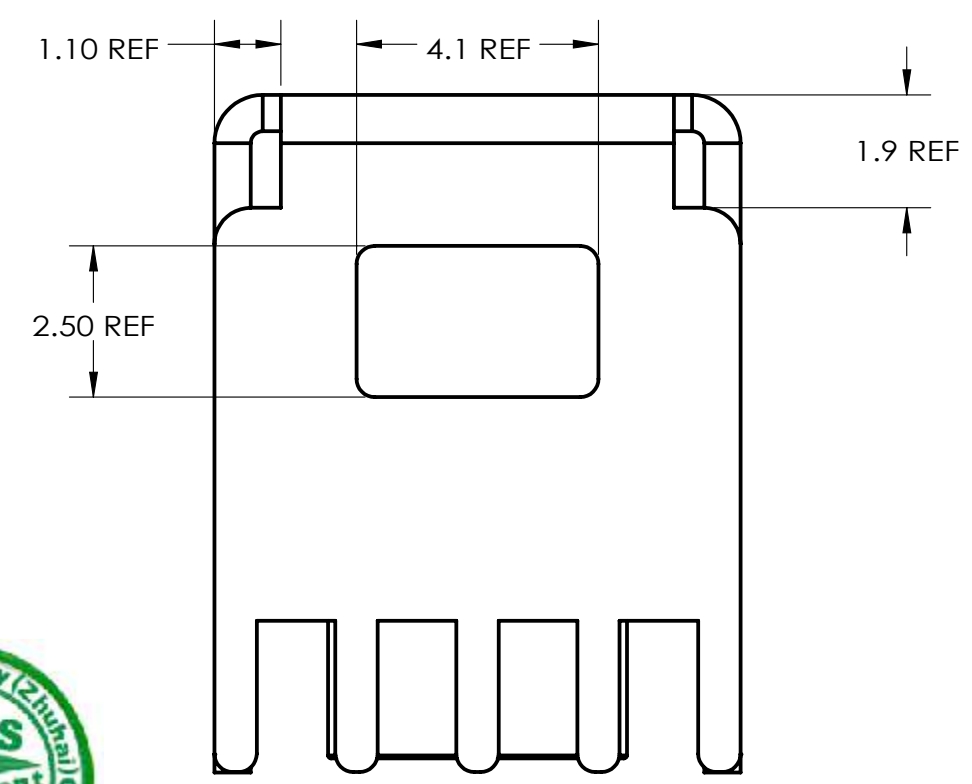
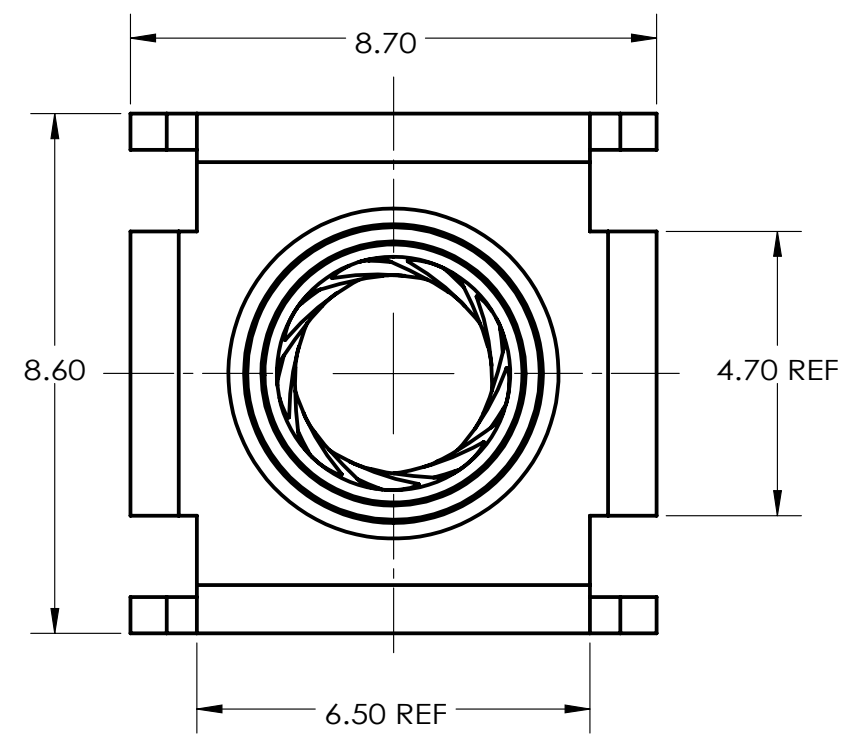
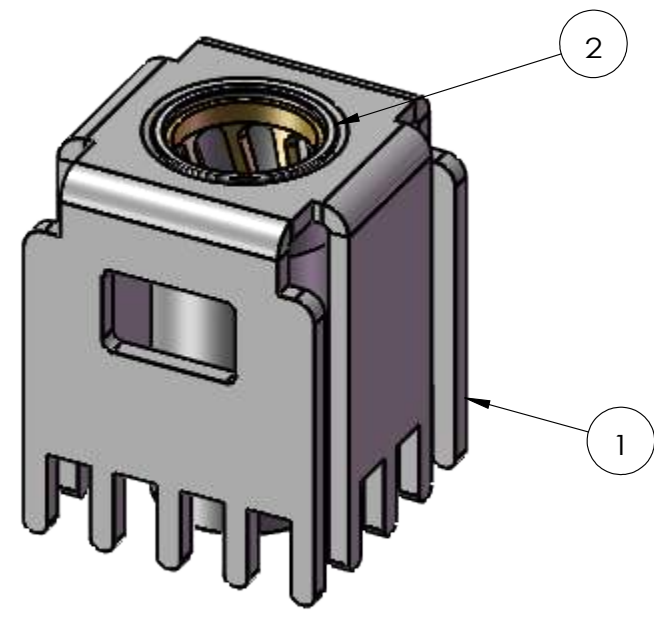
CUSTOMER DRAWING

AMPHENOL P/N
C10-760004-000T

REVISIONS			
ZONE	REV.	DESCRIPTION	DATE
	A	INITIAL RELEASE	2020/11/12



RECOMMEND PCB LAYOUT



- 4. THIS PRODUCT IS SUITABLE FOR REFLOW SOLDERING.
 - 3. MATERIAL:
RADSOK CONTACT: COPPER ALLOY, Ag 150u" MIN OVER Ni 50u" MIN;
BRACKET: COPPER ALLOY, TIN 80u" MIN OVER Ni 50u" MIN.
 - 2. PERFORMANCE:
ELECTRICAL: 70 AMPS MAX;
MECHANICAL: 5.0LBF MAX. TEST PIN 1 ENGAGEMENT FORCE;
0.5LBF MIN. TEST PIN 2 EXTRACTION FORCE.
- TEST PIN:
MATERIAL: STAINLESS STEEL;
DIAMETER: $\varnothing 3.63 \pm 0.005 / -0$ mm; (TEST PIN 1)
 $\varnothing 3.58 \pm 0 / -0.005$ mm; (TEST PIN 2)
SURFACE ROUGHNESS: Ra0.8 MAX;
DEPTH OF INSERTION: 11mm Min;
TEST PIN SHALL HAVE A SPHERICAL TIP WITH SMOOTH BLEND TO FULL DIAMETER, NO SHARP TRANSITION PERMITTED.



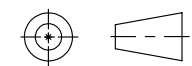
1. THE REFERENCED PRODUCT SHALL BE COMPLIANT TO ROHS DIRECTIVE.

NOTES

THIS DOCUMENT CONTAINS PROPRIETARY INFORMATION AND SUCH INFORMATION MAY NOT BE DISCLOSED TO OTHERS FOR ANY PURPOSE OR USED FOR MANUFACTURING PURPOSES WITHOUT WRITTEN PERMISSION FROM THE AMPHENOL CORP.

Next Assembly

UNLESS OTHERWISE SPECIFIED	
LINEAR DIMENSIONS ARE IN MILLIMETERS	
TOLERANCES:	
DIM. RANGE	0.5-3 >3-6 >6-30 >30-120 >120-400
TOLERANCE	± 0.1 ± 0.1 ± 0.2 ± 0.3 ± 0.5
ANGLES = $\pm 2^\circ$	
DIM. & TOL. PER ASME Y14.5M-1994;	
DRM PER MIL-DTL-31000;	
OTHER AMPHENOL STANDARDS: 9-9318	
THIRD ANGLE PROJECTION	



APPROVALS		DATE
PREPARED BY:	ROSAN HUANG	2020/11/12
LEAD/PRODUCT ENGINEER:	ROSAN HUANG	
ENGINEERING MANAGER:	ROB WENG	
PRODUCT GROUP:	C&I	
AIPG DIVISION:		

MATERIAL SPEC	PROCESS SPEC
SEE NOTE 3	SEE NOTE 2 & 3

BILL OF MATERIALS			
ITEM NO.	PART NUMBER	DESCRIPTION	QTY.
1	-	3.6MM R4 PGY BASKET	1
2	-	STD3.6MM RADSOK	1

AMPHENOL CORPORATION			
Amphenol Technology (Zhuhai) Co. Ltd. No. 63 Xinghan Road, Sanzao Town, Jinwan, Zhuhai, PRC			
3.6MM WT B CONNECTOR, REC			
SIZE	CAGE CODE	DOCUMENT NUMBER	REV
C	77820	10-760004-000T	A
SCALE: 8:1		REF: 10-760004	SHEET 1 OF 2

CODE NUMBER OF WTB CONNECTORS

CODE NUMBER: WTB XXX X X XXX XXX X

CONNECTOR SERIES
WTB: WIRE TO BOARD CONNECTORS

RADSOK SIZE
XXX: RADSOK SIZE, XX.X MM
SUCH AS: "036" MEANS "3.6"MM

MATING PROPERTY
SUCH AS "X" =P, MEANS PIN SIDE
"X" =S, MEANS SOCKET SIDE

PACKAGE
"X" OMITTED MEANS TRAY
"X"="R" MEANS TAPE & REEL

LENGTH OF SOLDER TAILS
"XXX" MEANS "X.XX"MM
SUCH AS "354" MEANS "3.54"MM

HEIGHT OVER BOARD
"XXX" MEANS "XX.X" MM
SUCH AS "136" MEANS "13.6"MM

DIRECTION OF MATING
SUCH AS "X"=R, MEANS RIGHT ANGLE
"X"=V, MEANS VERTICAL

CODE NUMBER	M P/N
WTB036SV087250	C10-760004-000T

THIS DOCUMENT CONTAINS PROPRIETARY INFORMATION AND SUCH INFORMATION MAY NOT BE DISCLOSED TO OTHERS FOR ANY PURPOSE OR USED FOR MANUFACTURING PURPOSES WITHOUT WRITTEN PERMISSION FROM THE AMPHENOL CORP.

SIZE	CAGE CODE	DOCUMENT NUMBER	REV
C	77820	10-760004-000T	A
SCALE: 10:1	REF:	10-760004	SHEET 2 OF 2