

3-1971794-1 ✓ ACTIVE



GRACE INERTIA 2.5

TE Internal #: 3-1971794-1

PCB Latches, Locks & Retainers, TPA (True Position Assurance), 3 Position, .098 in [2.5 mm] Centerline, 1 Row, GRACE INERTIA 2.5

[View on TE.com >](#)

Connectors > PCB Connectors > PCB Connector Accessories > PCB Connector Hardware > PCB Latches, Locks & Retainers



Connector & Contact Retention Accessory Type: **TPA (True Position Assurance)**

Number of Positions: **3**

Centerline (Pitch): **2.5 mm [.098 in]**

Number of Rows: **1**

Operating Temperature Range: **-30 – 105 °C [-22 – 221 °F]**

Features

Product Type Features

| | |
|--|-------------------------------|
| Connector & Contact Retention Accessory Type | TPA (True Position Assurance) |
|--|-------------------------------|

Configuration Features

| | |
|---------------------|---|
| Number of Positions | 3 |
| Number of Rows | 1 |

Body Features

| | |
|--------------------------|------------|
| Primary Product Material | PA 66 GF20 |
| Primary Product Color | Black |

Housing Features

| | |
|--------------------|-----------------|
| Centerline (Pitch) | 2.5 mm[.098 in] |
|--------------------|-----------------|

Usage Conditions

| | |
|-----------------------------|----------------------------|
| Operating Temperature Range | -30 – 105 °C[-22 – 221 °F] |
|-----------------------------|----------------------------|

Industry Standards

| | |
|------------------|-----------|
| Glow Wire Rating | Glow Wire |
|------------------|-----------|

Packaging Features



| | |
|--------------------|------|
| Packaging Quantity | 7200 |
| Packaging Method | Bag |

Product Compliance

[For compliance documentation, visit the product page on TE.com>](#)

| | |
|---|---|
| EU RoHS Directive 2011/65/EU | Compliant |
| EU ELV Directive 2000/53/EC | Compliant |
| China RoHS 2 Directive MIIT Order No 32, 2016 | No Restricted Materials Above Threshold |
| EU REACH Regulation (EC) No. 1907/2006 | Current ECHA Candidate List: JUNE 2023 (235) Candidate List Declared Against: JUNE 2023 (235) Does not contain REACH SVHC |
| Halogen Content | Not Low Halogen - contains Br or Cl > 900 ppm. |
| Solder Process Capability | Not reviewed for solder process capability |

Product Compliance Disclaimer

This information is provided based on reasonable inquiry of our suppliers and represents our current actual knowledge based on the information they provided. This information is subject to change. The part numbers that TE has identified as EU RoHS compliant have a maximum concentration of 0.1% by weight in homogenous materials for lead, hexavalent chromium, mercury, PBB, PBDE, DBP, BBP, DEHP, DIBP, and 0.01% for cadmium, or qualify for an exemption to these limits as defined in the Annexes of Directive 2011/65/EU (RoHS2). Finished electrical and electronic equipment products will be CE marked as required by Directive 2011/65/EU. Components may not be CE marked. Additionally, the part numbers that TE has identified as EU ELV compliant have a maximum concentration of 0.1% by weight in homogenous materials for lead, hexavalent chromium, and mercury, and 0.01% for cadmium, or qualify for an exemption to these limits as defined in the Annexes of Directive 2000/53/EC (ELV). Regarding the REACH Regulation, the information TE provides on SVHC in articles for this part number is based on the latest European Chemicals Agency (ECHA) 'Guidance on requirements for substances in articles' posted at this URL: <https://echa.europa.eu/guidance-documents/guidance-on-reach>

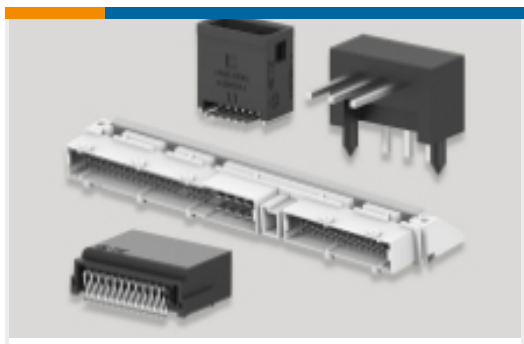
Compatible Parts



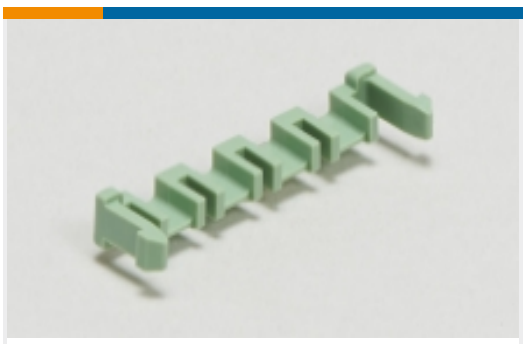
Also in the Series | GRACE INERTIA 2.5



Connector Contacts(2)



PCB Headers & Receptacles(138)



PCB Latches, Locks & Retainers(5)



Rectangular Connector Housings(49)



Rectangular Connector Locking(2)



Rectangular Power Connectors(35)



Wire-to-Board Connector Assemblies & Housings(46)



Wire-to-Board Connector Contacts(4)

Customers Also Bought



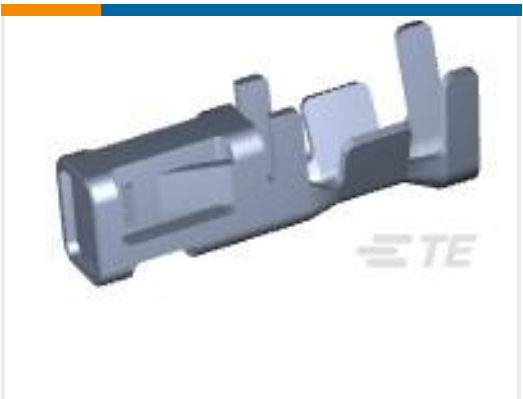
TE Part #368576-1
PDL 6P PLUG 3.96 D/R(GWT) NAT



TE Part #316089-1
STD Temp Signal Double Lock Cap



TE Part #917704-1
2.5 SIGNAL DBL LOCK D.L.P. 8P



TE Part #1971795-1
NEW GI CONN2.5 REC. CONTACT



TE Part #521596-2
ULTRA-POD 187 ASSY REC 22-18 AWG TPBR



TE Part #1-2232890-3
3P MONOPLUG 2.5 SELECTIVELY LOADED



TE Part #1969541-8
RETAINER, TPA, DUAL ROW, EP2.5



TE Part #1-1969442-3
EP 2.5 TPA Housing, 13 Pos



TE Part #1-2232892-9
9P MONOPLUG 2.5

Documents



Product Drawings

NEW GI CONN2.5 TPA 3P BLACK

English

CAD Files

3D PDF

3D

Customer View Model

[ENG_CVM_CVM_3-1971794-1_B.2d_dxf.zip](#)

English

Customer View Model

[ENG_CVM_CVM_3-1971794-1_B.3d_igs.zip](#)

English

Customer View Model

[ENG_CVM_CVM_3-1971794-1_B.3d_stp.zip](#)

English

By downloading the CAD file I accept and agree to the [Terms and Conditions](#) of use.

Product Specifications

Application Specification

English

Product Environmental Compliance

[MD_3-1971794-1_06082015452_dmtec](#)

English

[MD_3-1971794-1_06082015452_dmtec](#)

English