

T4171110004-002 ✓ ACTIVE

AMP M12, M12 Connector

TE Internal #: T4171110004-002

TE Internal Description: M12,REAR MOUNTING,FEMALE,A,4P,0.5

M WIRE

[View on TE.com >](#)



## Product Compliance

[For compliance documentation, visit the product page on TE.com>](#)

EU RoHS Directive 2011/65/EU	Compliant with Exemptions
EU ELV Directive 2000/53/EC	Compliant with Exemptions
China RoHS 2 Directive MIIT Order No 32, 2016	Restricted Materials Above Threshold
EU REACH Regulation (EC) No. 1907/2006	Current ECHA Candidate List: JUNE 2023 (235) Candidate List Declared Against: JAN 2023 (233) SVHC > Threshold: Pb (1.9% in Component Part) <b>Article Safe Usage Statements:</b> Do not eat, drink or smoke when using this product. Wash thoroughly after handling. Recycle if possible and dispose of the article by following all applicable governmental regulations relevant to your geographic location.
Halogen Content	Not Low Halogen - contains Br or Cl > 900 ppm.
Solder Process Capability	Not applicable for solder process capability

### Product Compliance Disclaimer

This information is provided based on reasonable inquiry of our suppliers and represents our current actual knowledge based on the information they provided. This information is subject to change. The part numbers that TE has identified as EU RoHS compliant have a maximum concentration of 0.1% by weight in homogenous materials for lead, hexavalent chromium, mercury, PBB, PBDE, DBP, BBP, DEHP, DIBP, and 0.01% for cadmium, or qualify for an exemption to these limits as defined in the Annexes of Directive 2011/65/EU (RoHS2). Finished electrical and electronic equipment products will be CE marked as required by Directive 2011/65/EU. Components may not be CE marked. Additionally, the part numbers that TE has identified as EU ELV compliant have a maximum concentration of 0.1% by weight in homogenous materials for lead, hexavalent chromium, and mercury, and 0.01% for cadmium, or qualify for an exemption to these limits as defined in the Annexes of Directive 2000/53/EC (ELV). Regarding the REACH Regulation, the information TE provides on SVHC in articles for this part number is based on the latest European Chemicals Agency (ECHA) 'Guidance on requirements for substances in articles' posted at this URL: <https://echa.europa.eu/guidance-documents/guidance-on-reach>

Also in the Series | [AMP M12](#)



Circular Connector Caps & Covers(2)



Hand Crimping Tools(32)



LVDT/LVIT Sensors(6)



Standard Circular Connectors(2)

### Also in the Series | M12 Connector

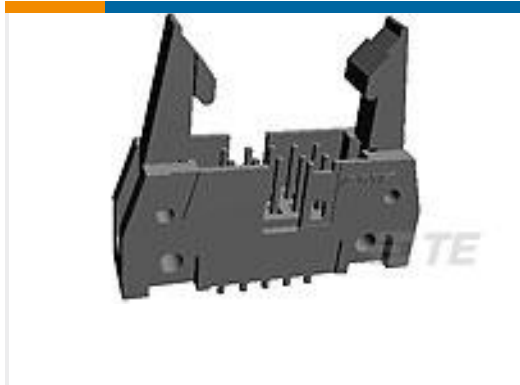


M8/M12 Cable Assemblies(230)



Standard Circular Connectors(521)

### Customers Also Bought



TE Part #5499922-9  
A/L UNIV HDR 40P VERT LG LAT



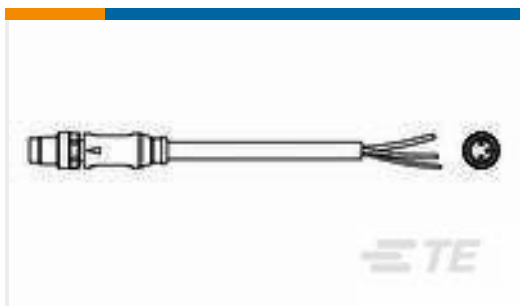
TE Part #T4131512041-000  
M12,REAR MOUNT,FEMALE,D,4P,  
SOLDER WIRE



TE Part #T4171010004-001  
M12,REAR MOUNTING,MALE,A,4P,0.2  
M WIRE



TE Part #6-1879021-7  
SMW3 56R 5%



TE Part #1-2273000-1  
M8 x 1.0 straight plug Pigtail



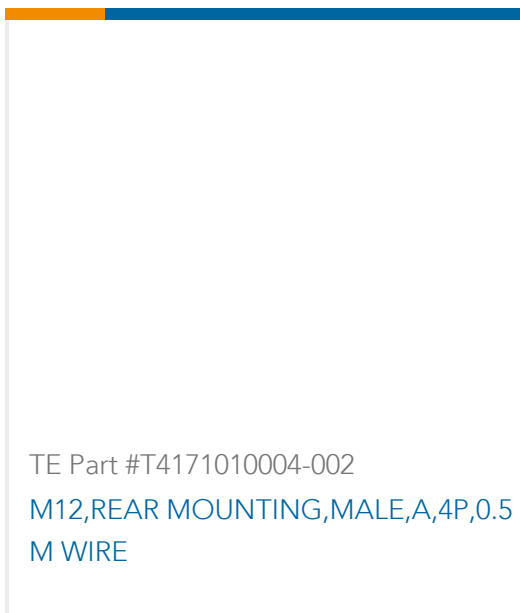
TE Part #T4073014041-001  
M8.FMLE.PNLFRONT.4POS.STR WIRE



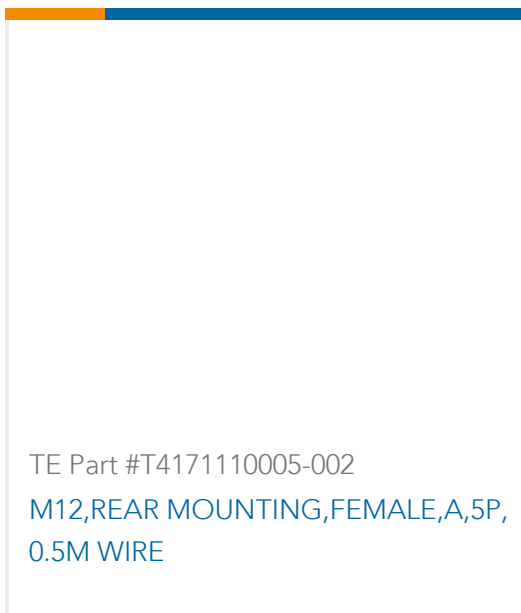
TE Part #2823064-1  
M12-DUST CAP-FEMALE CONN-IP67-  
W/O SLEEVE



TE Part #5-103908-1  
02 MTE HDR SRST LATCH W/HLDWN



TE Part #T4171010004-002  
M12,REAR MOUNTING,MALE,A,4P,0.5  
M WIRE



TE Part #T4171110005-002  
M12,REAR MOUNTING,FEMALE,A,5P,  
0.5M WIRE



## Documents

### Product Drawings

[M12,REAR MOUNTING,FEMALE,A,4P,0.5M WIRE](#)

English

---

### CAD Files

[3D PDF](#)

3D

Customer View Model

[ENG\\_CVM\\_CVM\\_T4171110004-002\\_B.2d\\_dxf.zip](#)

English

Customer View Model

[ENG\\_CVM\\_CVM\\_T4171110004-002\\_B.3d\\_igs.zip](#)

English

Customer View Model

[ENG\\_CVM\\_CVM\\_T4171110004-002\\_B.3d\\_stp.zip](#)

English

By downloading the CAD file I accept and agree to the [Terms and Conditions](#) of use.

---

### Product Specifications

[Application Specification](#)

English

---

### Agency Approvals

[UL](#)

English