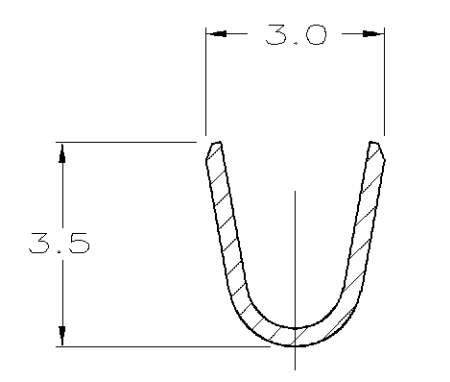
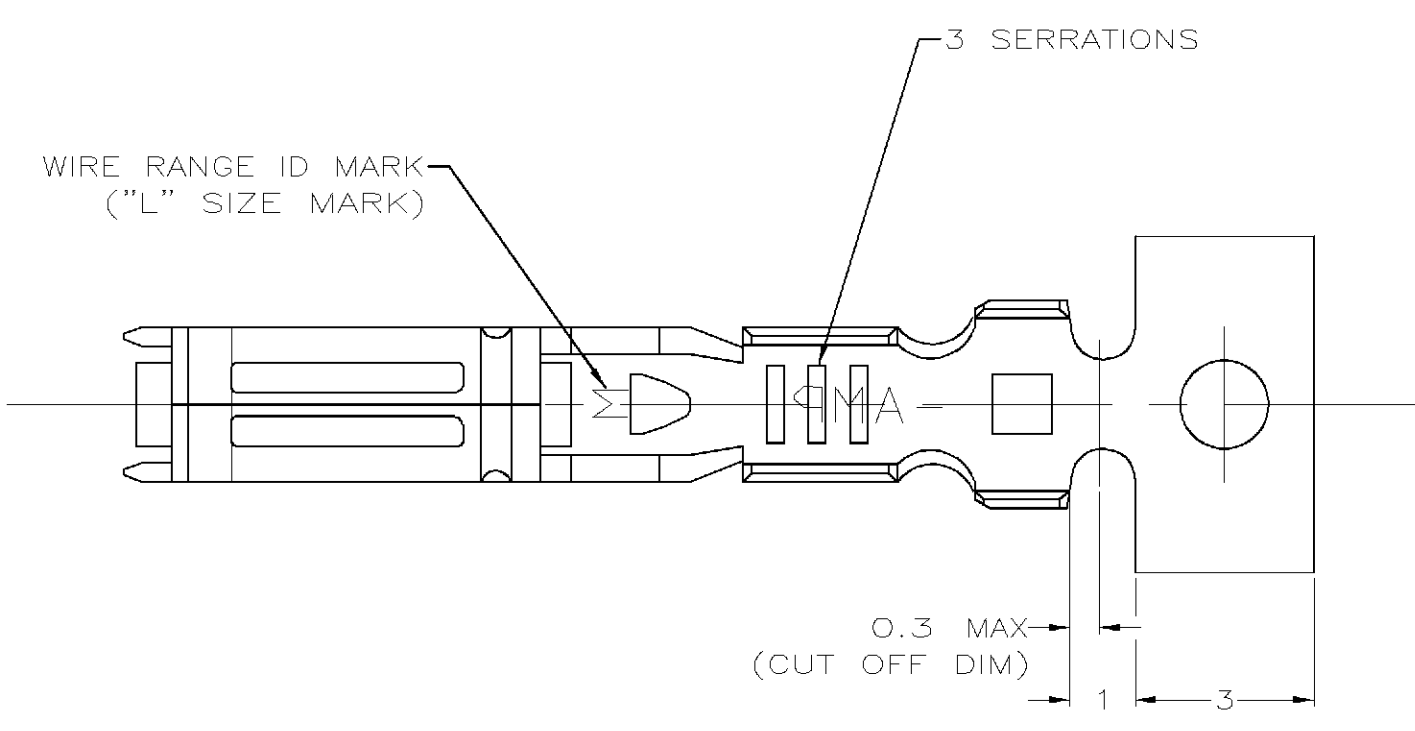
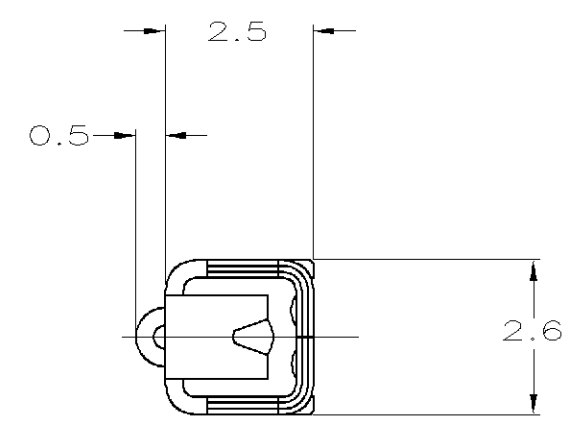


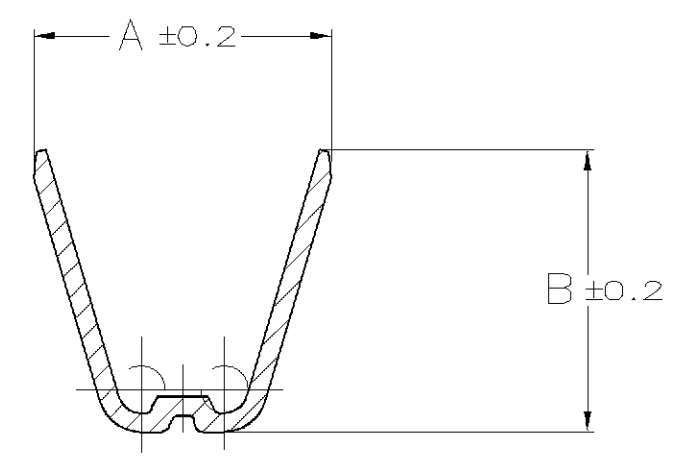
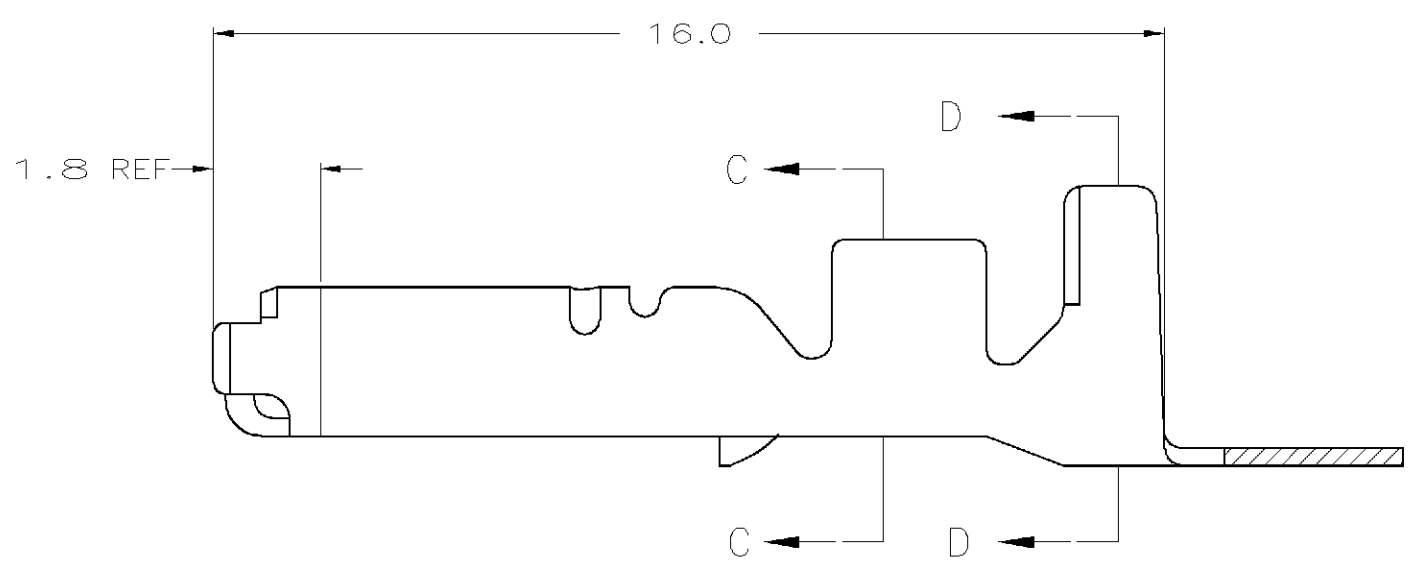
THIS DRAWING IS UNPUBLISHED. RELEASED FOR PUBLICATION
 © COPYRIGHT BY TYCO ELECTRONICS CORPORATION. ALL RIGHTS RESERVED.

⚠ 776129-2 FOR USE WITH ULTRA THIN WALL WIRE INSULATION
 2.39 MM OD MAX.

LOC	DIST	REVISIONS			
P	LTR	DESCRIPTION	DATE	DWN	APVD
FX	00	E	OK80-0216-01	10OCT2001	JRB/SSA



SECTION C-C



SECTION D-D

M	2.20/2.70	20-16	4.7	5.0	776129-6
L	2.20/2.39	14	4.2	4.4	⚠ 776129-2
WIRE RANGE ID MARK	INSULATION RANGE	WIRE AWG	B	A	PART NUMBER

THIS DRAWING IS A CONTROLLED DOCUMENT.

DWN	P. YEAGER	23OCT2001	tyco Electronics	Tyco Electronics Corporation Harrisburg, PA 17105-3608		
CHK	M. SHORE	8-27-96		NAME	.070 SERIES RECEPTACLE CONTACT	
M.	M. SHORE	8-27-96	PRODUCT SPEC	108-5280		
APVD	M. SHORE	8-27-96	APPLICATION SPEC	114-5091		
DIMENSIONS: MM			MATERIAL	COPPER	FINISH	TIN
TOLERANCES UNLESS OTHERWISE SPECIFIED:			WEIGHT	-		
0 PLC	±	-	CUSTOMER DRAWINGS			
1 PLC	±	0.2	SIZE	A2	CAGE CODE	00779
2 PLC	±	0.15	DRAWING NO	776129		
3 PLC	±	-	RESTRICTED TO	-		
4 PLC	±	-	SCALE	10:1	SHEET	1 OF 1
ANGLES	±	1°	REV	E		

776129