

II5916



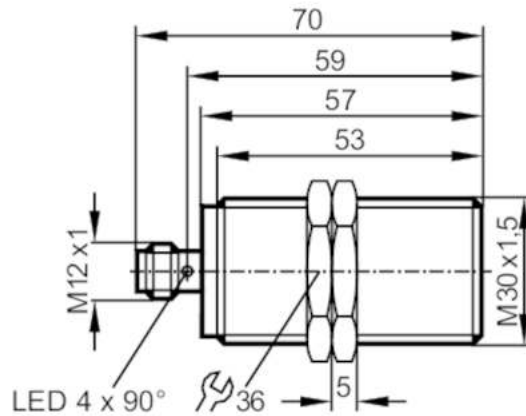
Inductive analogue sensor

IIK3010A1PKG/US

phase-out article

Alternative articles: II5986

When selecting an alternative article and accessories please note that technical data may differ!



Product characteristics

Housing		threaded type
Dimensions	[mm]	M30 x 1.5 / L = 70

Electrical data

Operating voltage	[V]	15...30 DC
Current consumption	[mA]	< 20
Protection class		II
Reverse polarity protection		yes

Outputs

Analogue current output	[mA]	4...20; (linear; gradient: 1,778 mA/mm; for frontal approach and for target made of mild steel: 30 x 30 x 1 mm)
Max. load	[Ω]	500
Short-circuit protection		yes
Overload protection		yes

Detection zone

Measuring range	[mm]	1...10
-----------------	------	--------

Accuracy / deviations

Correction factor		steel: 1 / stainless steel: 0.7 / brass: 0.5 / aluminium: 0.4 / copper: 0.3
Linearity error of analogue output	[%]	± 3 %; (of IA max)
Repeatability analogue output	[%]	± 2 %; (of IA max)

Response times

Response time	[ms]	< 10
---------------	------	------

Operating conditions

Ambient temperature	[°C]	-25...80
Protection		IP 67

II5916



Inductive analogue sensor

IIK3010A1PKG/US

Tests / approvals

MTTF	[years]	218
------	---------	-----

Mechanical data

Weight	[g]	134.66
Housing		threaded type
Mounting		flush mountable
Dimensions	[mm]	M30 x 1.5 / L = 70
Thread designation		M30 x 1.5
Materials		housing: brass white bronze coated; sensing face: PBT
Tightening torque	[Nm]	50

Displays / operating elements

Display	within the operating range	1 x LED, yellow lights
	outside the operating range	1 x LED, yellow flashing

Accessories

Items supplied	lock nuts: 2
----------------	--------------

Remarks

Pack quantity	1 pcs.
---------------	--------

Electrical connection - plug

Connector: 1 x M12; coding: A



Connection

