

THIS DRAWING IS UNPUBLISHED.

RELEASED FOR PUBLICATION

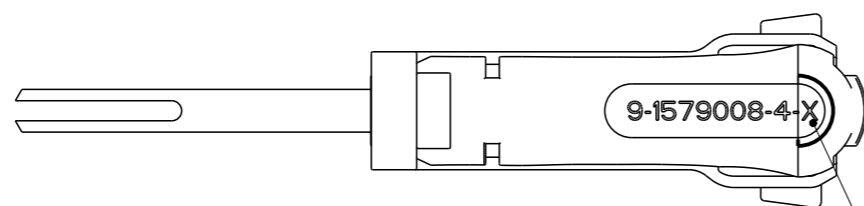
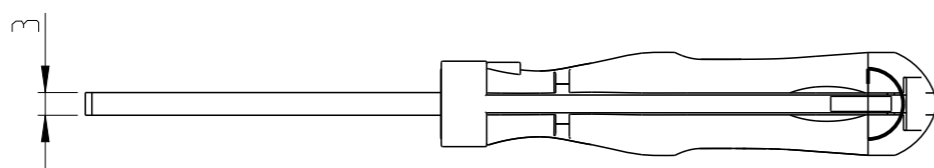
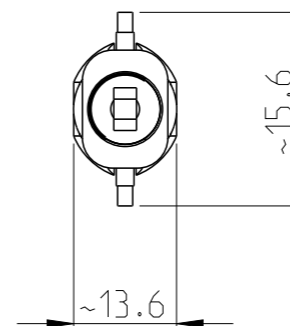
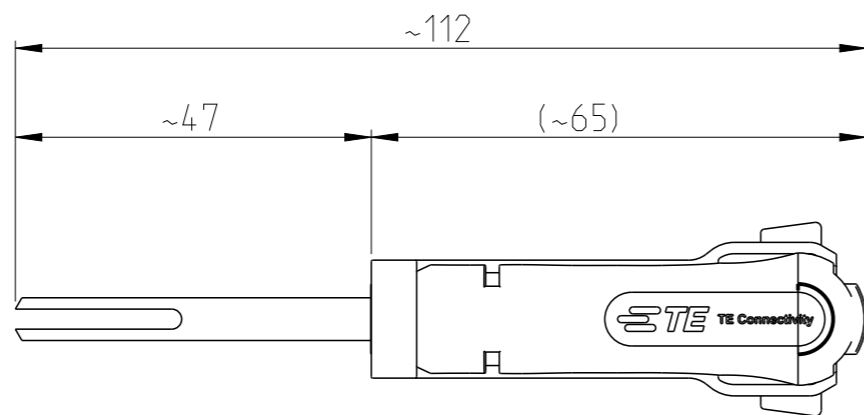
20

© COPYRIGHT 20 BY -

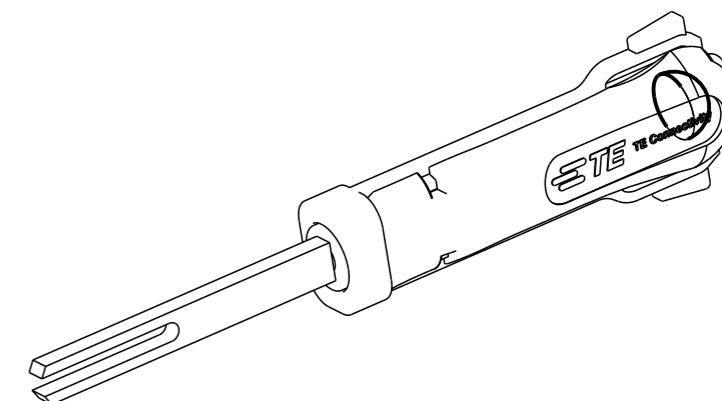
ALL RIGHTS RESERVED.

REVISIONS

P	LTR	DESCRIPTION	DATE	DWN	APVD
	A	INITIAL REVISION	17AUG2018	KH	RG
	B	ECR-19-018252	22NOV2019	PNT	GS

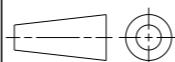


CURRENT REVISION
Aktuelle Revision



THIS DRAWING IS A CONTROLLED DOCUMENT.

DIMENSIONS:
mm



MATERIAL

TOLERANCES UNLESS OTHERWISE SPECIFIED:

- 0 PLC ±
- 1 PLC ±
- 2 PLC ±
- 3 PLC ±
- 4 PLC ±
- ANGLES ±

FINISH

DWN K.HOLAL 17AUG2018

CHK R.GERMANN 17AUG2018

APVD R.GERMANN 17AUG2018

PRODUCT SPEC

APPLICATION SPEC

WEIGHT 18g

CUSTOMER DRAWING



NAME
EXTRACTION TOOL
Entriegelungswerkzeug

SIZE	CAGE CODE	DRAWING NO	RESTRICTED TO
------	-----------	------------	---------------

A3	00779	9-1579008-4	
----	-------	-------------	--

SCALE	SHEET	OF	REV
5:1	1	1	B