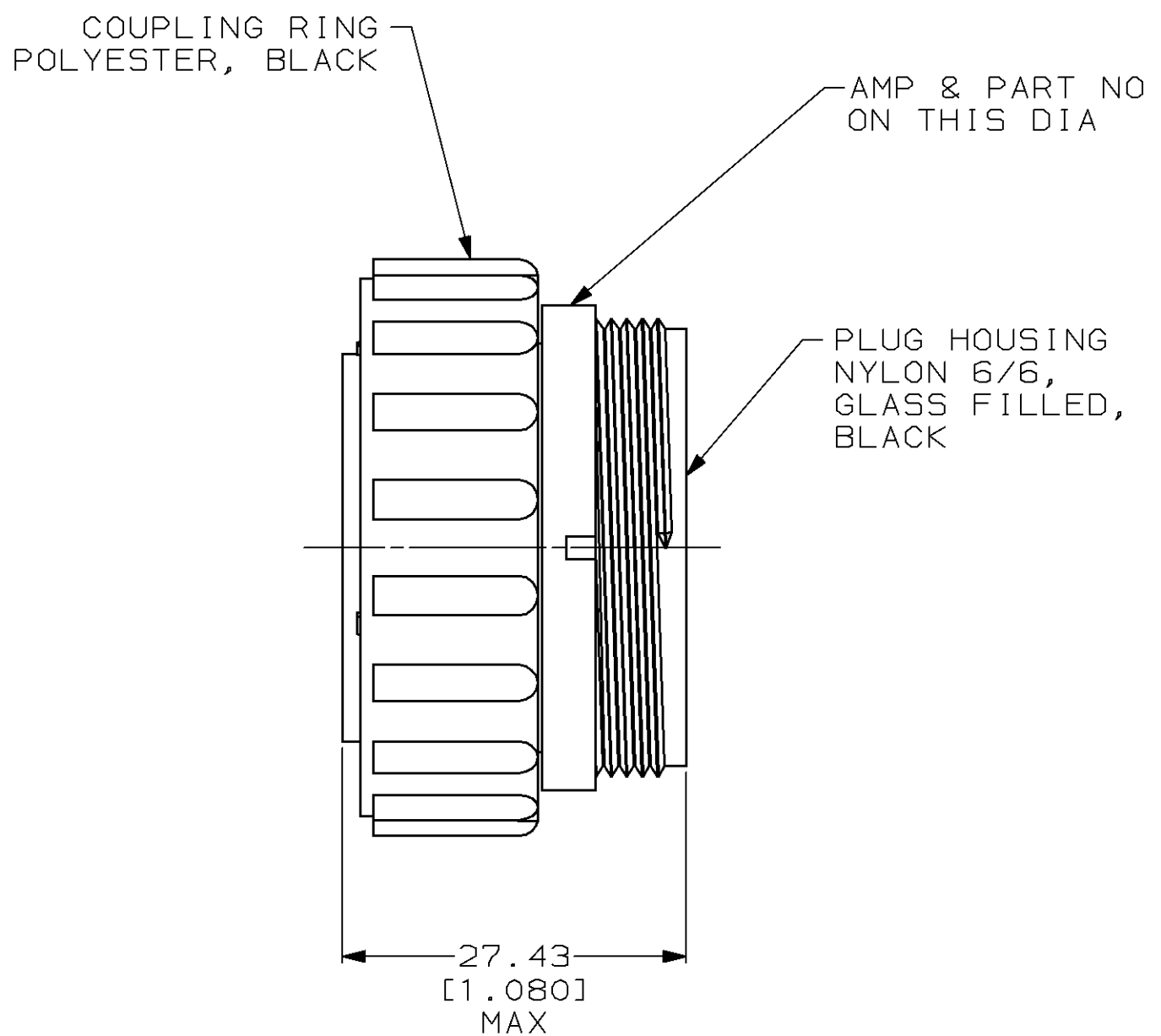
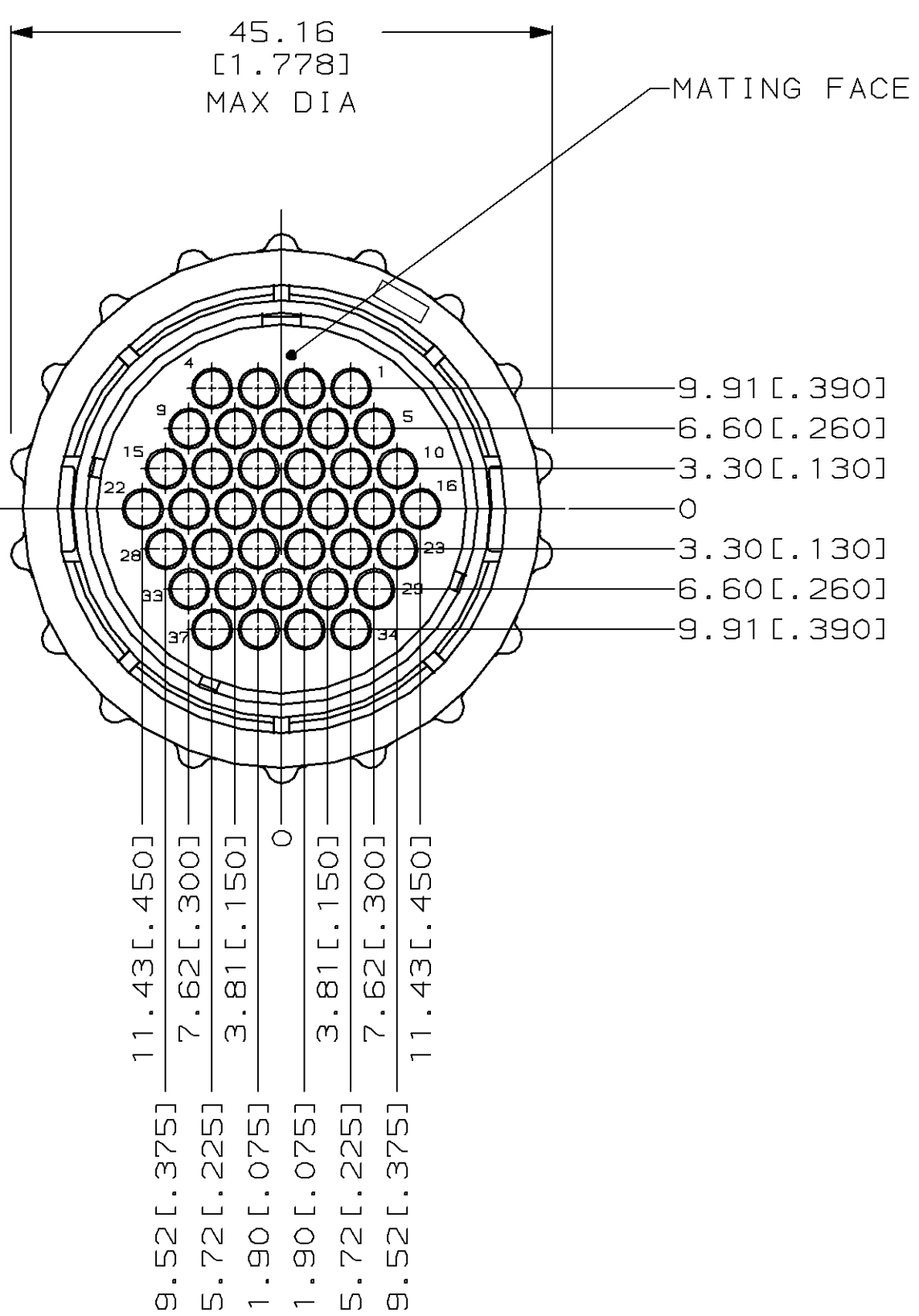


THIS DRAWING IS UNPUBLISHED. RELEASED FOR PUBLICATION, 19 .  
 © COPYRIGHT 19 BY AMP INCORPORATED. ALL INTERNATIONAL RIGHTS RESERVED.

LOC	DIST	P	F	ZONE	LTR	DESCRIPTION	DATE	APPD
FT	4							
					O	RLSE PER NPR 5254 WAS 94-5029-020-01	01/03/95	AF
					A	REV PER EC 0020-68-95	02/07/95	AF
					B	REV PER EC 0020-738-95	17 JUL 95	RB
					C	REV PER EC 0320-7-97	16 JAN 97	KD



- CONTACT CAVITIES IDENTIFIED BY CHARACTERS ON FRONT AND REAR FACES OF CONNECTOR.
- THIS CONNECTOR WILL ACCEPT (37) MULTIMATE SOCKET CONTACTS.

213848-1  
 PART NUMBER

DO NOT SCALE PRINT. UNLESS SPECIFIED DIMENSIONS IN mm [INCHES] TOLERANCES ON : 2 PLC DEC ± 0.13 [0.005] 3 PLC DEC ± - ANGLES ± -	DR 01/03/95 K.FOLTZ CHK 01/09/95 R.STONE APPD 01/10/95 T.COULSON	AMP Incorporated Harrisburg, PA 17105-3608	
MATERIAL SEE CALLOUT	APPD 01/16/95 A.FRANTUM PRODUCT SPEC -	NAME PLUG ASSEMBLY, STANDARD SEX, SIZE 23, SERIES I, CPC	
FINISH -	APPLICATION SPEC -	SIZE C	CAGE CODE 00779
WEIGHT -		DRAWING NO 213848	SHEET 1 OF 1