



circuit breaker 3VA5 UL frame 125 3-pole, starter protection TM120M, AM, In=110A without overload protection short-circuit protection li=5...12 x In cable connection on both sides

Model	
product brand name	SENTRON
product designation	Molded-case circuit breaker
product designation / according to UL file	HEAP
Product version	Starter protection
design of the load switch / according to UL 489 / Heating, Air Conditioning, and Refrigeration circuit breaker (HACR Type)	Yes
design of the load switch / according to UL 489 / High-Intensity-Discharge circuit breaker (HID Type)	No
design of the load switch / according to UL 489 / Switching Duty circuit breaker (SWD Type)	No
design of the overcurrent release	TM120M
protection function of the overcurrent release	I
number of poles	3
General technical data	
insulation voltage / rated value	800 V
operating voltage / at AC / rated value	690 V
power loss [W] / maximum	23.2 W
Active power loss / for rated value of the current / at AC / in hot operating state / per pole	7.73 W
mechanical service life (switching cycles) / typical	20 000
Electrical endurance (switching cycles) / at AC-1 / at 380/415 V 50/60 Hz	8 000
Electrical endurance (switching cycles) / at AC-1 / at 690 V 50/60 Hz	4 000
electrical endurance (switching cycles) / at 480 V	8 000
electrical endurance (switching cycles) / at 600 V	4 000
Neutral conductors / upgradeable/retrofitable	No
ground-fault monitoring version	without
product function	
• communication function	No
• phase failure detection	No
• other measurement function	No
Net Weight	1.034 kg
Current	
marking / according to UL 489 / 100%-rated breaker	No
operational current	
• at 40 °C	110 A
• at 45 °C	107 A
• at 50 °C	105 A
• at 55 °C	103 A
• at 60 °C	100 A

- at 65 °C
- at 70 °C

98 A  
96 A

### Switching capacity according to IEC 60947

breaking capacity maximum short-circuit current (Icu)	
• at 240 V	150 kA
• at 415 V	70 kA
• at 690 V	10 kA
breaking capacity operating short-circuit current (Ics)	
• at 240 V	150 kA
• at 415 V	70 kA
• at 690 V	5 kA
short-circuit current making capacity (Icm)	
• at 240 V	330 kA
• at 415 V	154 kA
• at 690 V	17 kA
design of short-circuit protection	For switching power values in DC networks, see the 3VA molded case circuit breaker device manual; link to be found under Service & Support in the last chapter

### Adjustable parameters

product feature / for L-tripping / selectable characteristic function	No
product feature / for S-tripping / independent of direction / selectable characteristic function	No
product feature / for I-tripping / can be switched on/off	No
design of I-trip / adjustable	Yes
reference value setting current (Ii) / for I-tripping	x In
set values setting current (Ii) / for I-tripping	5;6;7;8;9;10;11;12
adjustable response factor setting current (Ii) / for I-tripping / minimum	5
adjustable response factor setting current (Ii) / for I-tripping / maximum	12
adjustable response value setting current (Ii) / for I-tripping / minimum	550 A
adjustable response value setting current (Ii) / for I-tripping / maximum	1 320 A
product feature / for G-tripping / selectable characteristic function	No
product feature / with neutral conductor protection / can be switched on/off	No
product feature / with neutral conductor protection / adjustable	No
type of value list setting current (InN) / for N-tripping	Fest
reference value setting current (InN) / for N-tripping	s
setting values setting current (InN) / for N-tripping	0
adjustable absolute value setting current (InN) / for N-tripping / minimum	0 A
adjustable absolute value setting current (InN) / for N-tripping / maximum	0 A
tripping characteristic / of the upper tolerance band	AK_3VA5_1_110A_TM120M1_H_oT
let-through energy characteristic / at 240 V	DE_3VA5_1_110A_TMuMCS110_line u starter_3u4p_240V
let-through energy characteristic / at 415 V	DE_3VA5_1_110A_TMuMCS110_line u starter_3u4p_415V
let-through energy characteristic / at 690 V	DE_3VA5_1_110A_TMuMCS110_line u starter_3u4p_690V
type of value list setting current (Ii) / for I-tripping	St
tripping characteristic / of the let-through current characteristic / at 240 V	DS_3VA5_1_110A_TMuMCS110_line u starter_3u4p_240V
tripping characteristic / of the let-through current characteristic / at 415 V	DS_3VA5_1_110A_TMuMCS110_line u starter_3u4p_415V
tripping characteristic / of the let-through current characteristic / at 690 V	DS_3VA5_1_110A_TMuMCS110_line u starter_3u4p_690V
Ground fault protection / tripping switchable / I2t=ON/OFF	No

### Mechanical Design

product component	
• undervoltage release	No
• voltage trigger	No
• trip indicator	No
height [in]	5.51 in

Height	140 mm
width [in]	3 in
Type of connectable conductor cross-section, round conductor terminal, stranded	1 x (8 AWG - 3/0)
Width	76.2 mm
depth [in]	3.01 in
depth	76.5 mm

<b>Connections</b>	
arrangement of electrical connectors / for main current circuit	Front connection
type of electrical connection / for main current circuit	circular conductor terminal on both sides

<b>Auxiliary circuit</b>	
number of CO contacts / for auxiliary contacts	0

<b>Accessories</b>	
product extension / optional / motor drive	Yes

<b>Environmental conditions</b>	
protection class IP / on the front	IP40
ambient temperature	
<ul style="list-style-type: none"> <li>during operation / minimum</li> <li>during operation / maximum</li> <li>during storage / minimum</li> <li>during storage / maximum</li> </ul>	<ul style="list-style-type: none"> <li>-25 °C</li> <li>70 °C</li> <li>-40 °C</li> <li>80 °C</li> </ul>

<b>Certificates</b>	
reference code / according to IEC 81346-2	Q
certificate of suitability / as approval for NAVAL (no combat vessels) / supplement SB	Yes

<b>General Product Approval</b>	<b>EMC</b>	<b>Declaration of Conformity</b>
---------------------------------	------------	----------------------------------

[Confirmation](#)



[Miscellaneous](#)



<b>Marine / Shipping</b>	<b>other</b>
--------------------------	--------------



[Miscellaneous](#)

### Further information

**Information- and Downloadcenter (Catalogs, Brochures,...)**

<http://www.siemens.com/lowvoltage/catalogs>

**Industry Mall (Online ordering system)**

<https://mall.industry.siemens.com/mall/en/en/Catalog/product?mlfb=3VA5111-1MH36-0AA0>

**Service&Support (Manuals, Certificates, Characteristics, FAQs,...)**

<https://support.industry.siemens.com/cs/ww/en/ps/3VA5111-1MH36-0AA0>

**Image database (product images, 2D dimension drawings, 3D models, device circuit diagrams, ...)**

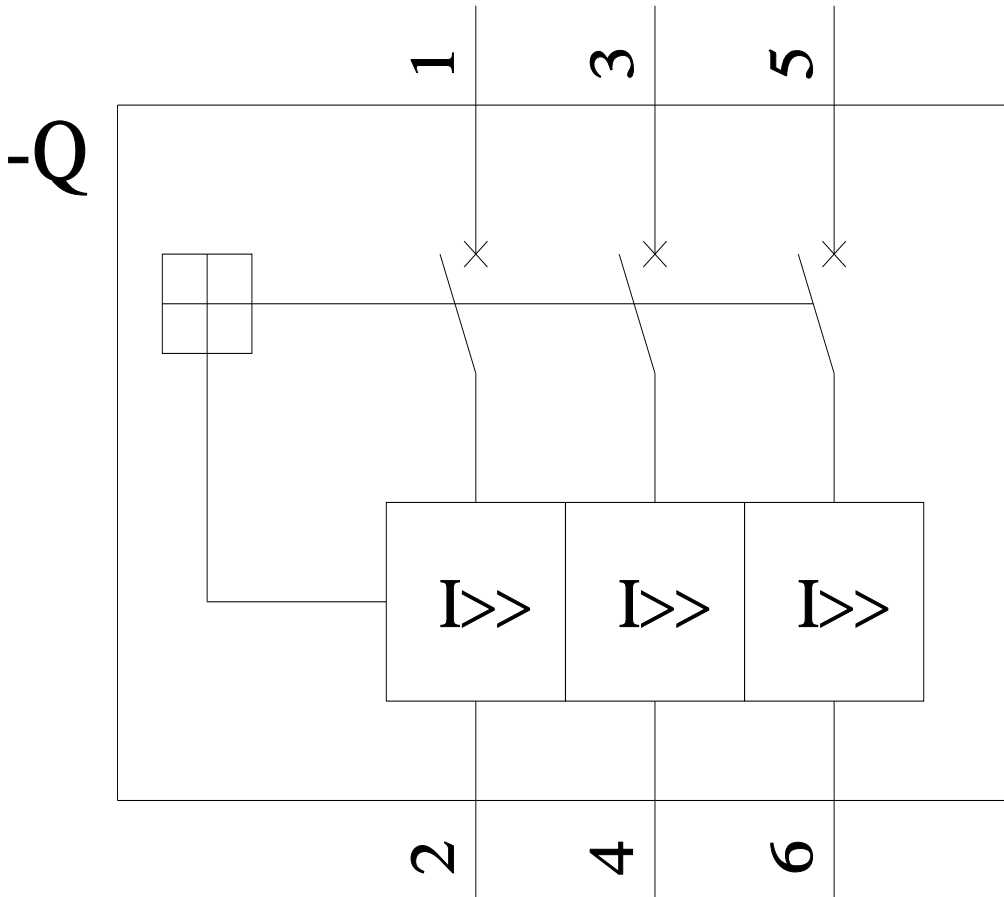
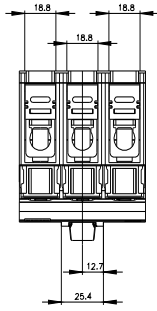
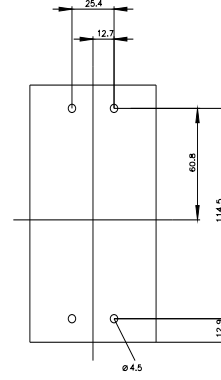
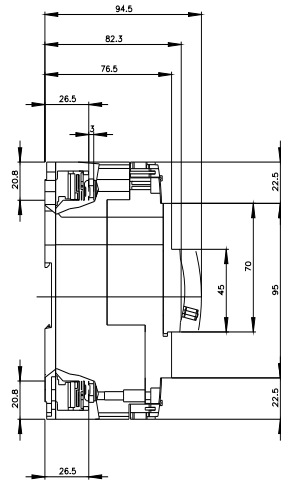
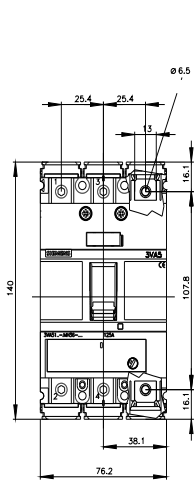
[http://www.automation.siemens.com/bilddb/cax\\_en.aspx?mlfb=3VA5111-1MH36-0AA0](http://www.automation.siemens.com/bilddb/cax_en.aspx?mlfb=3VA5111-1MH36-0AA0)

**CAX-Online-Generator**

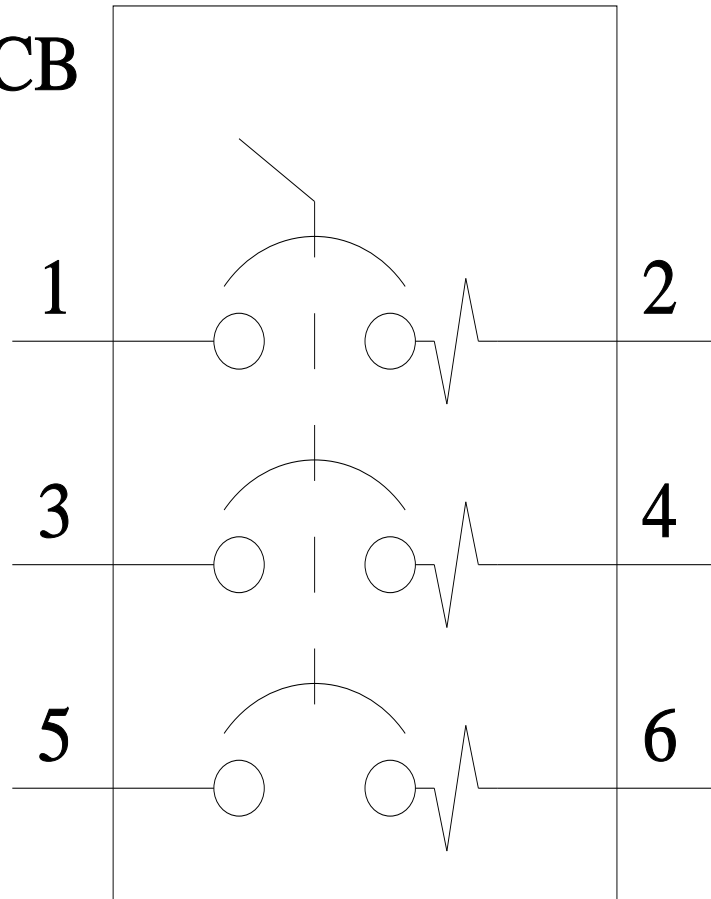
<http://www.siemens.com/cax>

**Tender specifications**

<http://www.siemens.com/specifications>



**CB**



last modified:

7/14/2022 

