

# PSD-S 50 OE LED BL - Optical element



1018737

<https://www.phoenixcontact.com/us/products/1018737>

Please be informed that the data shown in this PDF document is generated from our online catalog. Please find the complete data in the user documentation. Our general terms of use for downloads are valid.

Permanent light element, 16 V DC ... 26 V AC, blue, LED



## Product description

This optical signal element is designed to be part of a modular signal tower. According to your requirements, a signal tower can be combined as desired, from a maximum of five signal elements. Only use an audible signal element as the top element. A bayonet locking system establishes the mechanical and electrical connection between the elements. Connection elements with spring-cage connection can be used for electrical connection of the signal tower. Various accessories are available to assemble the signal tower.

## Your advantages

- Tool-free element changeover
- Can be freely combined
- High light and color intensity
- Minimum LED service life of 50,000 h
- Low power consumption
- Degree of protection IP65

## Commercial data

Item number	1018737
Packing unit	1 pc
Minimum order quantity	1 pc
Sales key	DR07
Product key	DRL112
GTIN	4055626503981
Weight per piece (including packing)	47.3 g
Weight per piece (excluding packing)	47.3 g
Customs tariff number	85318070
Country of origin	AT

# PSD-S 50 OE LED BL - Optical element



1018737

<https://www.phoenixcontact.com/us/products/1018737>

## Technical data

### Product properties

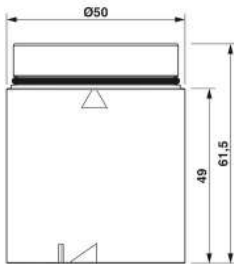
Product type	Optical element
Base	B15d (bayonet)
Area of application	Signal tower

### Electrical properties

#### General

Input voltage	24 V DC
Nominal input voltage range	16 V DC ... 26 V DC
Maximum inrush current	max. 500 mA
Current consumption	max. 35 mA
Source of light type	LED
Optical signal type	Permanent light

### Dimensions

Dimensional drawing	
Diameter	50 mm

### Material specifications

Calotte color	blue
Material	Polycarbonate PC

### Environmental and real-life conditions

#### Ambient conditions

Degree of protection	IP65, when installed or with cover
Ambient temperature (operation)	-30 °C ... 60 °C

### EMC data

Electromagnetic compatibility	Conformance with EMC Directive 2014/30/EU
-------------------------------	---

### Mounting

Mounting type	Plug-in mounting
Assembly instructions	Rubber seal pre-installed for each element
Mounting position	vertical or horizontal

# PSD-S 50 OE LED BL - Optical element

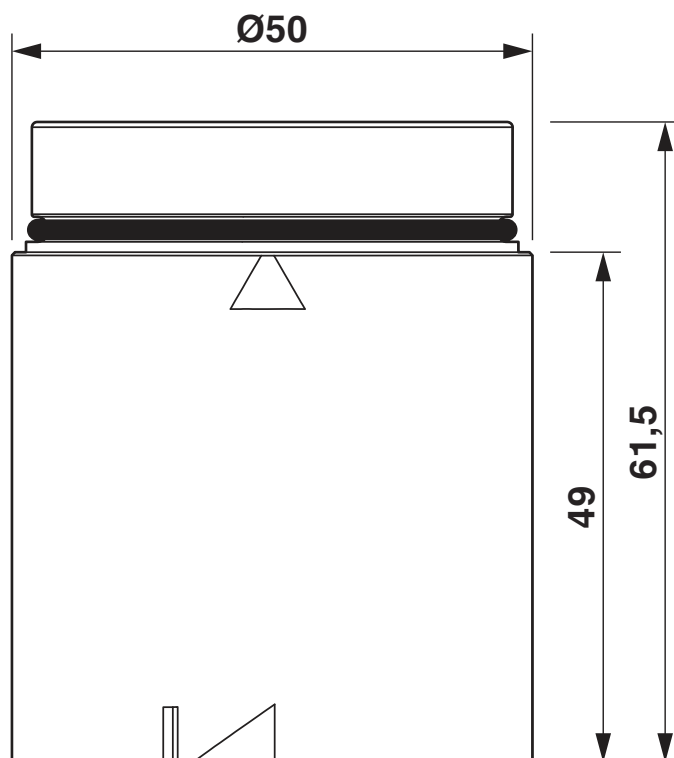
1018737

<https://www.phoenixcontact.com/us/products/1018737>



## Drawings

Dimensional drawing



# PSD-S 50 OE LED BL - Optical element





1018737

<https://www.phoenixcontact.com/us/products/1018737>

## Approvals

To download certificates, visit the product detail page: <https://www.phoenixcontact.com/us/products/1018737>

 **UL Listed**  
Approval ID: FILE E 140324

 **cUL Listed**  
Approval ID: FILE E 140324

**cULus Listed**

# PSD-S 50 OE LED BL - Optical element



1018737

<https://www.phoenixcontact.com/us/products/1018737>

## Classifications

### ECLASS

ECLASS-11.0	27371220
ECLASS-12.0	27371220
ECLASS-13.0	27371220

### ETIM

ETIM 8.0	EC000232
----------	----------

### UNSPSC

UNSPSC 21.0	46171600
-------------	----------

# PSD-S 50 OE LED BL - Optical element



1018737

<https://www.phoenixcontact.com/us/products/1018737>

## Environmental product compliance

China RoHS	Environmentally friendly use period: unlimited = EFUP-e
	No hazardous substances above threshold values

# PSD-S 50 OE LED BL - Optical element

1018737

<https://www.phoenixcontact.com/us/products/1018737>



## Accessories

### PSD-S 50 CE - Connection element

1018740

<https://www.phoenixcontact.com/us/products/1018740>

Base for horizontal and third-party tube assembly



---

### PSD-S 50 CE-M12-5P - Connection element

1018853

<https://www.phoenixcontact.com/us/products/1018853>

Base with integrated M12 male (5 pins)



# PSD-S 50 OE LED BL - Optical element

1018737

<https://www.phoenixcontact.com/us/products/1018737>



## PSD-S 50 CE A-NPT 1/2 - Connection element

1018850

<https://www.phoenixcontact.com/us/products/1018850>

Base for NPT 1/2 conduit assembly



---

## PSD-S 50 CE BR-SM/HCR - Connection element

1018742

<https://www.phoenixcontact.com/us/products/1018742>

Base for vertical assembly





# PSD-S 50 OE LED BL - Optical element

1018737

<https://www.phoenixcontact.com/us/products/1018737>



## PSD-S 50 CE BT 100 - Connection element

1018760

<https://www.phoenixcontact.com/us/products/1018760>

Tube base on 100 mm plastic tube with integrated foot



---

## PSD-S 50 CE BT 250-M - Connection element

1018801

<https://www.phoenixcontact.com/us/products/1018801>

Tube base on 250 mm aluminum tube with plastic foot



# PSD-S 50 OE LED BL - Optical element

1018737

<https://www.phoenixcontact.com/us/products/1018737>



## PSD-S 50 CE BT 400-M - Connection element

1018845

<https://www.phoenixcontact.com/us/products/1018845>

Tube base on 400 mm aluminum tube with plastic foot



---

Phoenix Contact 2023 © - all rights reserved

<https://www.phoenixcontact.com>

Phoenix Contact USA

586 Fulling Mill Road

Middletown, PA 17057, United States

(+717) 944-1300

[info@phoenixcon.com](mailto:info@phoenixcon.com)