

HC-STA-B24PT-BWSC-LS-M32-ELCAL - Connector set



1416358

<https://www.phoenixcontact.com/us/products/1416358>

Please be informed that the data shown in this PDF document is generated from our online catalog. Please find the complete data in the user documentation. Our general terms of use for downloads are valid.



Connector set, number of positions: 24, connection method: Push-in connection, connection cross section: AWG 26- 14

Commercial data

Item number	1416358
Packing unit	1 pc
Minimum order quantity	1 pc
Sales key	BF63
Product key	BF7AFX
Catalog page	Page 639 (C-2-2017)
GTIN	4055626071299
Weight per piece (including packing)	768 g
Weight per piece (excluding packing)	770.1 g
Customs tariff number	85366990
Country of origin	CN

HC-STA-B24PT-BWSC-LS-M32-ELCAL - Connector set



1416358

<https://www.phoenixcontact.com/us/products/1416358>

Set consists of

HC-B24-I-PT-F - Contact insert

1407735

<https://www.phoenixcontact.com/us/products/1407735>



Contact insert, number of positions: 24+PE, size: B24, number of connections per position: 1, Socket, Push-in connection, 500 V, 16 A, 0.14 mm² ... 2.5 mm², application: Power

HC-B24-I-PT-M - Contact insert

1407736

<https://www.phoenixcontact.com/us/products/1407736>



Contact insert, number of positions: 24+PE, size: B24, number of connections per position: 1, Pin, Push-in connection, 500 V, 16 A, 0.14 mm² ... 2.5 mm², application: Power

HC-STA-B24PT-BWSC-LS-M32-ELCAL - Connector set



1416358

<https://www.phoenixcontact.com/us/products/1416358>

HC-STA-B24-BWSC-ELC-AL - Housing

1411330

<https://www.phoenixcontact.com/us/products/1411330>



Panel mounting base B24, with single locking latch, material: Die-cast aluminum, salt water resistant, protective cover material: PC, height: 30.5 mm, cable gland: none, protective cover: yes, Standard, with flat gasket

HC-STA-B24-HLFS-1STM32-EL-AL - Housing

1412784

<https://www.phoenixcontact.com/us/products/1412784>



Sleeve housing B24, for single locking latch, material: Die-cast aluminum, salt water resistant, cable outlets: 1, lateral, 1x M32, height: 60 mm, cable gland: none, Standard

HC-STA-B24PT-BWSC-LS-M32-ELCAL - Connector set



1416358

<https://www.phoenixcontact.com/us/products/1416358>

G-INS-M32-M68N-NNES-S - Cable gland

1411166

<https://www.phoenixcontact.com/us/products/1411166>



Cable gland, material for screw connection: Brass, nickel-plated, external cable diameter 15 mm ... 21 mm, shielding: no, connecting thread: M32 x 1.5, color: silver, with O-ring

HC-STA-B24PT-BWSC-LS-M32-ELCAL - Connector set



1416358

<https://www.phoenixcontact.com/us/products/1416358>

Technical data

Product properties

Type	B24
Product type	Connector set
Number of positions	24
Connection profile	24+PE
Application	Standard
No. of cable outlets	1
Housing type	Complete housing
Seal present	yes
Protective cover	yes
Series	HC-B

Insulation characteristics

Overvoltage category	III
Degree of pollution	3

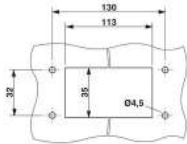
Electrical properties

Rated voltage (III/3)	500 V
Rated surge voltage	6 kV
Rated current	16 A

Connection data

Connection method	Push-in connection
Connection technology	Push-in connection
Conductor cross section	0.14 mm ² ... 2.5 mm ² (with ferrule) 0.14 mm ² ... 2.5 mm ² (with ferrule)
Connection cross section AWG	26 ... 14
Stripping length	8 mm ... 10 mm

Dimensions

Dimensional drawing	
Width	53 mm
Height	90.5 mm
Length	140.5 mm
Drill hole distance, horizontal	130 mm
Drill hole distance, vertical	32 mm
Hole diameter	4.5 mm

HC-STA-B24PT-BWSC-LS-M32-ELCAL - Connector set



1416358

<https://www.phoenixcontact.com/us/products/1416358>

Installation dimensions

Width of the assembly cutout	35 mm
Length of the assembly cutout	113 mm

Material specifications

Material	Die-cast aluminum, saltwater-resistant PA
Flammability rating according to UL 94	V0
Seal material Profile gasket	NBR
Seal material Flat gasket	NBR
Contact material	Copper alloy
Contact surface material	Ag
Contact carrier material	PC
Locking latch material	PA
Impact strength	IK08

Cable/line

External cable diameter ()	15 mm ... 21 mm 17 mm ... 21 mm (for UL 514 B)
-----------------------------	---

Mechanical properties

Mechanical data

Locking type	Latch
Insertion/withdrawal cycles	≥ 500

Environmental and real-life conditions

Ambient conditions

Degree of protection	IP66 IP67
Impact strength	IK08
Ambient temperature (operation)	-40 °C ... 100 °C

Mounting

Mounting type	Screw mounting
Assembly instructions	Coding also using the CP-HC (1686478) coding profiles. HC-B6.. / HC-B10..for two coding profiles. HC-B16.. / HC-B24..for four coding profiles. Connectors may only be operated when there is no load/the power is switched off. Can be used for solid wires and stranded wires with ferrule.
Connection method	Push-in connection

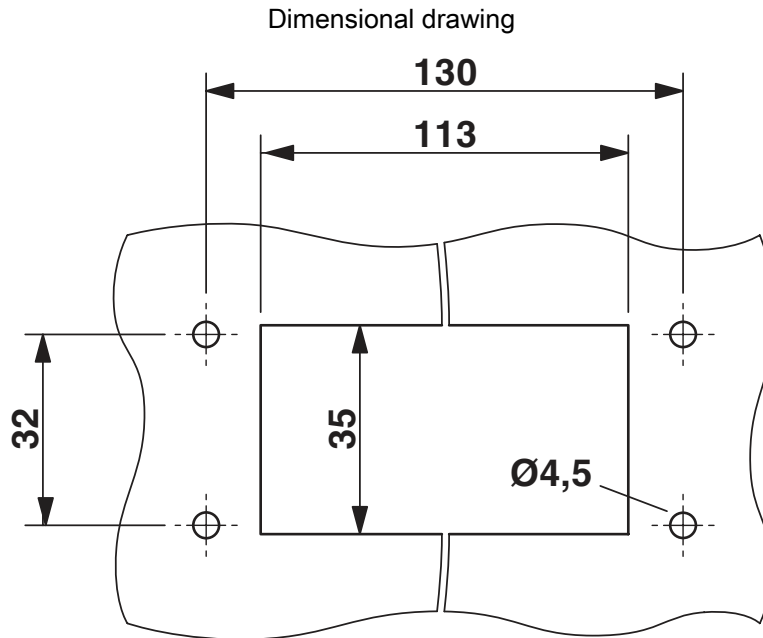
HC-STA-B24PT-BWSC-LS-M32-ELCAL - Connector set



1416358

<https://www.phoenixcontact.com/us/products/1416358>

Drawings



Mounting cutout

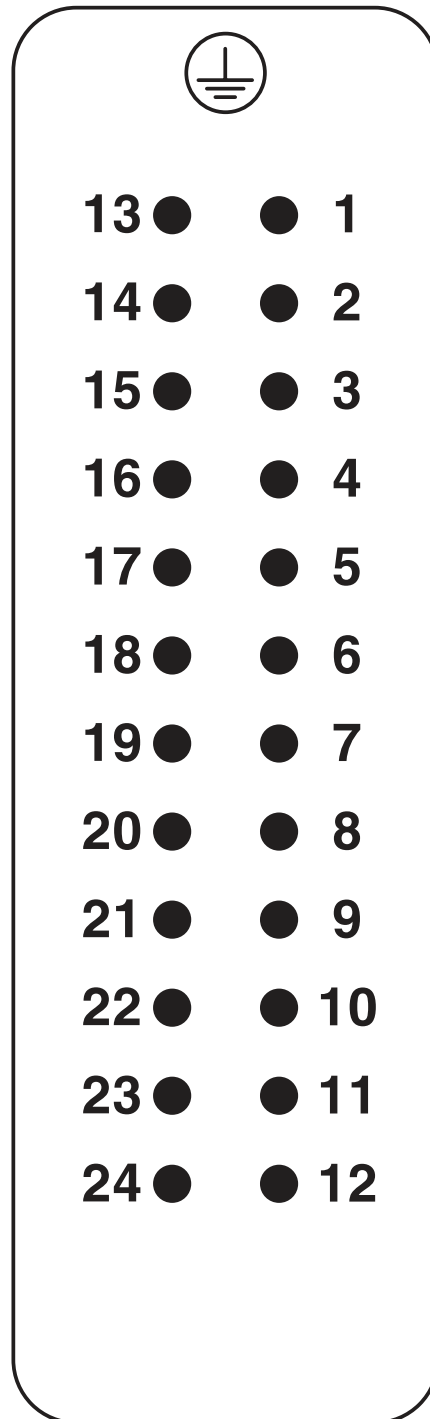
HC-STA-B24PT-BWSC-LS-M32-ELCAL - Connector set



1416358

<https://www.phoenixcontact.com/us/products/1416358>

Schematic diagram



Pin assignment, connection side, pin

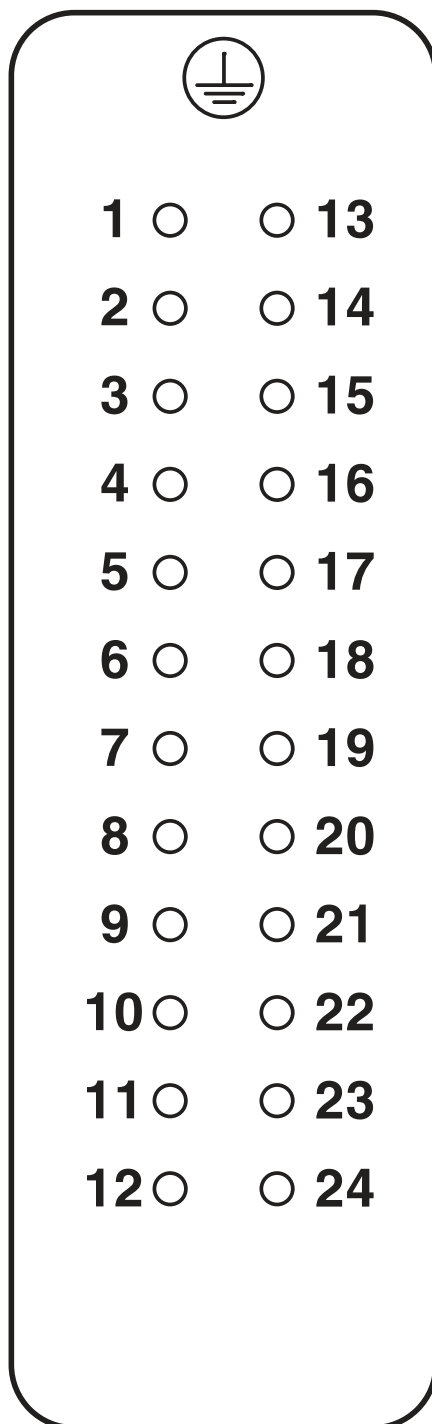
HC-STA-B24PT-BWSC-LS-M32-ELCAL - Connector set



1416358

<https://www.phoenixcontact.com/us/products/1416358>

Schematic diagram



Pin assignment, connection side, socket

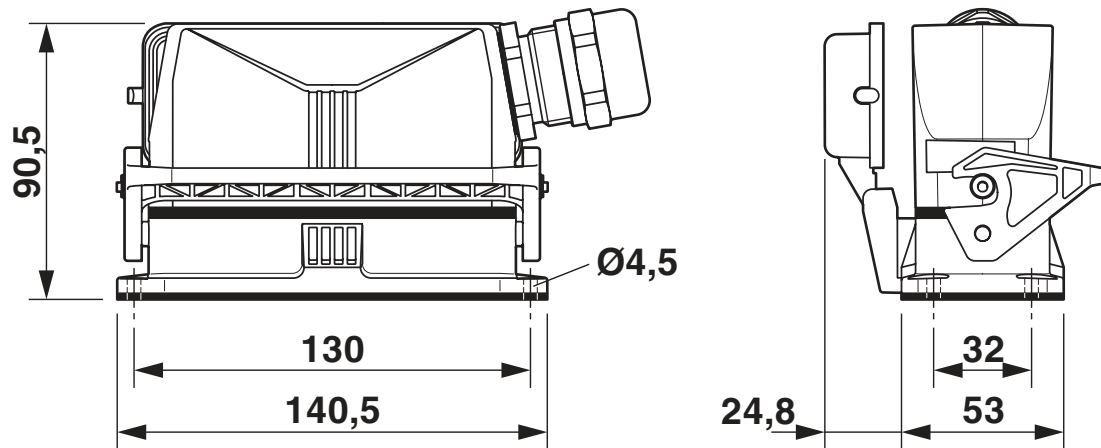
HC-STA-B24PT-BWSC-LS-M32-ELCAL - Connector set



1416358

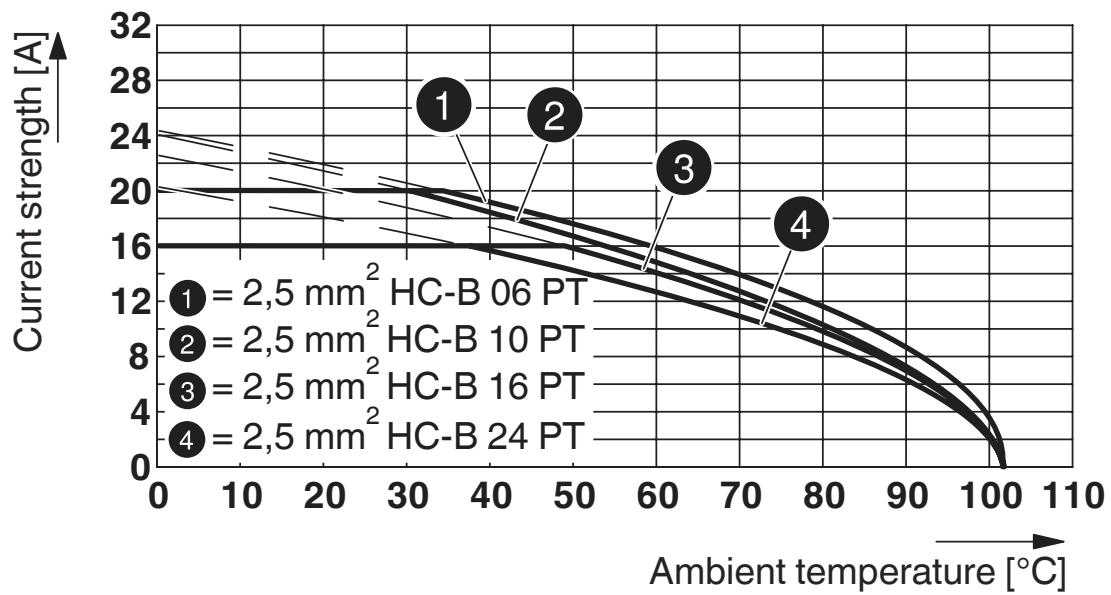
<https://www.phoenixcontact.com/us/products/1416358>

Dimensional drawing



Dimensional drawing

Diagram



Derating diagram

HC-STA-B24PT-BWSC-LS-M32-ELCAL - Connector set



1416358

<https://www.phoenixcontact.com/us/products/1416358>

Approvals

To download certificates, visit the product detail page: <https://www.phoenixcontact.com/us/products/1416358>

DNV

Approval ID: TAE000037S



EAC

Approval ID: RU C-DE.AI30.B.01102



EAC

Approval ID: RU C-DE.BL08.B.00511

HC-STA-B24PT-BWSC-LS-M32-ELCAL - Connector set



1416358

<https://www.phoenixcontact.com/us/products/1416358>

Classifications

ECLASS

ECLASS-11.0	27440101
ECLASS-12.0	27440113
ECLASS-13.0	27440113

ETIM

ETIM 8.0	EC002636
----------	----------

UNSPSC

UNSPSC 21.0	39121400
-------------	----------

HC-STA-B24PT-BWSC-LS-M32-ELCAL - Connector set



1416358

<https://www.phoenixcontact.com/us/products/1416358>

Environmental product compliance

REACH SVHC	Lead 7439-92-1
China RoHS	Environmentally Friendly Use Period = 50 years
	For information on hazardous substances, refer to the manufacturer's declaration available under "Downloads"

Phoenix Contact 2023 © - all rights reserved

<https://www.phoenixcontact.com>

Phoenix Contact USA
586 Fulling Mill Road
Middletown, PA 17057, United States
(+717) 944-1300
info@phoenixcon.com