

# DRV8424E/P, DRV8425E/P Dual H-Bridge Motor Drivers With Integrated Current Sense and Smart Tune Technology

## 1 Features

- Dual H-bridge motor driver
    - One bipolar stepper motor
    - Dual bidirectional brushed-DC motors
    - Four unidirectional brushed-DC motors
  - Integrated current sense functionality
    - No sense resistors required
    - $\pm 5\%$  Full-scale current accuracy
  - 4.5-V to 33-V Operating supply voltage range
  - Multiple control interface options
    - PHASE/ENABLE (PH/EN)
    - PWM (IN/IN)
  - Smart tune, fast and mixed decay options
  - Low  $R_{DS(ON)}$ :
    - DRV8424E/P: 330 m $\Omega$  HS + LS at 24 V, 25°C
    - DRV8425E/P: 550 m $\Omega$  HS + LS at 24 V, 25°C
  - High Current Capacity Per Bridge
    - DRV8424E/P: 4-A peak (brushed), 2.5-A full-scale (stepper)
    - DRV8425E/P: 3.2-A peak (brushed), 2-A full-scale (stepper)
- Pin to pin compatible with -
- [DRV8426E/P](#): 33-V, 900 m $\Omega$  HS + LS
  - [DRV8436E/P](#): 48-V, 900 m $\Omega$  HS + LS
  - [DRV8434E/P](#): 48-V, 330 m $\Omega$  HS + LS
- Configurable Off-Time PWM Chopping
    - 7, 16, 24 or 32  $\mu$ s
  - Supports 1.8-V, 3.3-V, 5.0-V logic inputs
  - Low-current sleep mode (2  $\mu$ A)
  - Spread spectrum clocking for low electromagnetic interference (EMI)
  - Inrush current limiting in brushed-DC applications
  - Small package and footprint
  - Protection features
    - VM undervoltage lockout (UVLO)
    - Charge pump undervoltage (CPUV)
    - Overcurrent protection (OCP)
    - Thermal shutdown (OTSD)
    - Fault condition output (nFAULT)]

## 2 Applications

- [Printers](#) and [scanners](#)
- [ATMs](#) and [Textile Machines](#)

- [Office and home automation](#)
- [Factory automation and robotics](#)
- [Major home appliances](#)
- [Vacuum, humanoid, and toy robotics](#)

## 3 Description

The DRV8424E/P, DRV8425E/P devices are dual H-bridge motor drivers for a wide variety of industrial applications. The devices can be used for driving two DC motors, or a bipolar stepper motor.

The output stage of the driver consists of N-channel power MOSFETs configured as two full H-bridges, charge pump regulator, current sensing and regulation, and protection circuitry. The integrated current sensing uses an internal current mirror architecture, removing the need for a large power shunt resistor, saving board area and reducing system cost. A low-power sleep mode is provided to achieve ultra-low quiescent current draw by shutting down most of the internal circuitry. Internal protection features are provided for supply undervoltage lockout (UVLO), charge pump undervoltage (CPUV), output overcurrent (OCP), and device overtemperature (OTSD).

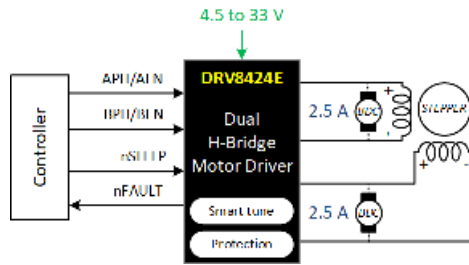
The DRV8424E/P is capable of driving a stepper motor with up to 2.5-A full scale or brushed motors with up to 4-A peak; and the DRV8425E/P is capable of driving a stepper motor with up to 2-A full scale or brushed motors with up to 3.2-A peak (dependent on PCB design).

### Device Information<sup>(1)</sup>

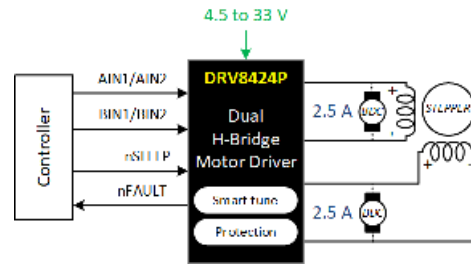
PART NUMBER	PACKAGE	BODY SIZE (NOM)
DRV8424EPWPR	HTSSOP (28)	9.7mm x 4.4mm
DRV8424ERGER	VQFN (24)	4.0mm x 4.0mm
DRV8425EPWPR	HTSSOP (28)	9.7mm x 4.4mm
DRV8425ERGER	VQFN (24)	4.0mm x 4.0mm
DRV8424PPWPR	HTSSOP (28)	9.7mm x 4.4mm
DRV8424PRGER	VQFN (24)	4.0mm x 4.0mm
DRV8425PPWPR	HTSSOP (28)	9.7mm x 4.4mm
DRV8425PRGER	VQFN (24)	4.0mm x 4.0mm

- (1) For all available packages, see the orderable addendum at the end of the data sheet.





**DRV8424E Simplified Schematic**



**DRV8424P Simplified Schematic**

## Table of Contents

<b>1 Features</b> .....	<b>1</b>	<b>8 Application and Implementation</b> .....	<b>29</b>
<b>2 Applications</b> .....	<b>1</b>	8.1 Application Information.....	29
<b>3 Description</b> .....	<b>1</b>	8.2 Typical Application.....	29
<b>4 Revision History</b> .....	<b>3</b>	8.3 Alternate Application.....	34
<b>5 Pin Configuration and Functions</b> .....	<b>4</b>	<b>9 Power Supply Recommendations</b> .....	<b>36</b>
Pin Functions.....	5	9.1 Bulk Capacitance.....	36
<b>6 Specifications</b> .....	<b>7</b>	<b>10 Layout</b> .....	<b>37</b>
6.1 Absolute Maximum Ratings.....	7	10.1 Layout Guidelines.....	37
6.2 ESD Ratings.....	7	10.2 Layout Example.....	37
6.3 Recommended Operating Conditions.....	8	<b>11 Device and Documentation Support</b> .....	<b>39</b>
6.4 Thermal Information.....	8	11.1 Documentation Support.....	39
6.5 Electrical Characteristics.....	9	11.2 Related Links.....	39
6.6 Typical Characteristics.....	10	11.3 Receiving Notification of Documentation Updates..	39
<b>7 Detailed Description</b> .....	<b>13</b>	11.4 Community Resources.....	39
7.1 Overview.....	13	11.5 Trademarks.....	39
7.2 Functional Block Diagrams.....	14	<b>12 Mechanical, Packaging, and Orderable</b>	
7.3 Feature Description.....	16	<b>Information</b> .....	<b>40</b>
7.4 Device Functional Modes.....	27		

## 4 Revision History

NOTE: Page numbers for previous revisions may differ from page numbers in the current version.

<b>Changes from Revision A (October 2020) to Revision B (May 2022)</b>	<b>Page</b>
• Updated HTSSOP and QFN layout example.....	<b>37</b>

---

<b>Changes from Revision * (May 2020) to Revision A (October 2020)</b>	<b>Page</b>
• Changed Device Status to "Production Data".....	<b>1</b>

## 5 Pin Configuration and Functions

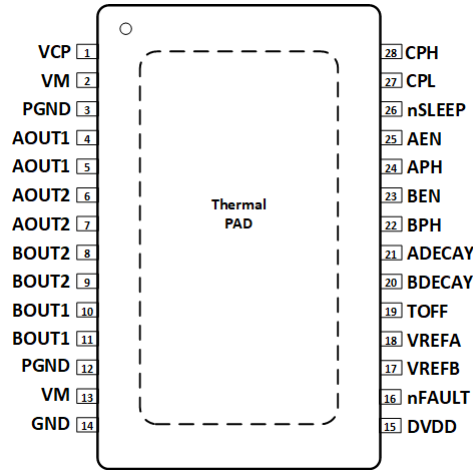


Figure 5-1. PWP PowerPAD™ Package 28-Pin HTSSOP Top View DRV8424E, DRV8425E

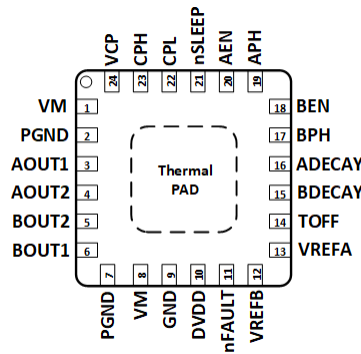


Figure 5-2. RGE Package 24-Pin VQFN with Exposed Thermal PAD Top View DRV8424E, DRV8425E

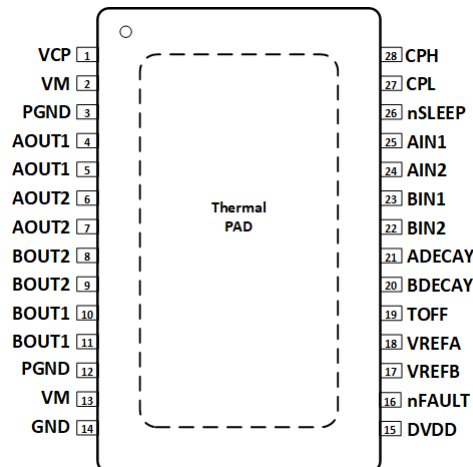
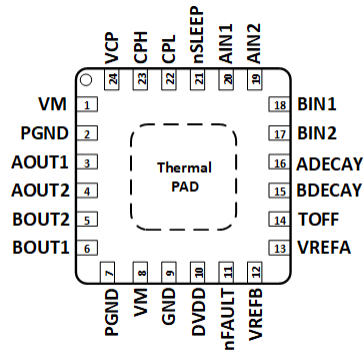


Figure 5-3. PWP PowerPAD™ Package 28-Pin HTSSOP Top View DRV8424P, DRV8425P



**Figure 5-4. RGE Package 24-Pin VQFN with Exposed Thermal PAD Top View DRV8424P, DRV8425P**

### Pin Functions

NAME	PIN				TYPE	DESCRIPTION
	PWP		RGE			
	DRV8424E, DRV8425E	DRV8424P, DRV8425P	DRV8424E, DRV8425E	DRV8424P, DRV8425P		
ADECAy	21	21	16	16	I	Decay mode setting pin. Set the decay mode for bridge A; quad-level pin.
AEN	25	—	20	—	I	Bridge A enable input. Logic high enables bridge A; logic low disables the bridge Hi-Z.
AIN1	—	25	—	20	I	Bridge A PWM input. Logic controls the state of H-bridge A; internal pulldown.
AIN2	—	24	—	19	I	Bridge B PWM input. Logic controls the state of H-bridge B; internal pulldown.
AOUT1	4, 5	4, 5	3	3	O	Winding A output. Connect to motor winding.
AOUT2	6, 7	6, 7	4	4	O	Winding A output. Connect to motor winding.
APH	24	—	19	—	I	Bridge A phase input. Logic high drives current from AOUT1 to AOUT2.
VREFA	18	18	13	13	I	Reference voltage input. Voltage on this pin sets the full scale chopping current in H-bridge A.
BDECAy	20	20	15	15	I	Decay mode setting pin. Set the decay mode for bridge B; quad-level pin.
BEN	23	—	18	—	I	Bridge B enable input. Logic high enables bridge B; logic low disables the bridge Hi-Z.
BIN1	—	23	—	18	I	Bridge B PWM input. Logic controls the state of H-bridge B; internal pulldown.
BIN2	—	22	—	17	I	Bridge B PWM input. Logic controls the state of H-bridge B; internal pulldown.
BOUT1	10, 11	10, 11	6	6	O	Winding B output. Connect to motor winding.
BOUT2	8, 9	8, 9	5	5	O	Winding B output. Connect to motor winding.
BPH	22	—	17	—	I	Bridge B phase input. Logic high drives current from BOUT1 to BOUT2.
VREFB	17	17	12	12	I	Reference voltage input. Voltage on this pin sets the full scale chopping current in H-bridge B.

NAME	PIN				TYPE	DESCRIPTION
	PWP		RGE			
	DRV8424E, DRV8425E	DRV8424P, DRV8425P	DRV8424E, DRV8425E	DRV8424P, DRV8425P		
CPH	28	28	23	23	PWR	Charge pump switching node. Connect a X7R, 0.022- $\mu$ F, VM-rated ceramic capacitor from CPH to CPL.
CPL	27	27	22	22		
GND	14	14	9	9	PWR	Device ground. Connect to system ground.
TOFF	19	19	14	14	I	Sets the decay mode off-time during current chopping; quad-level pin. Also sets the ripple current in smart tune ripple control mode.
DVDD	15	15	10	10	PWR	Logic supply voltage. Connect a X7R, 0.47- $\mu$ F to 1- $\mu$ F, 6.3-V or 10-V rated ceramic capacitor to GND.
VCP	1	1	24	24	O	Charge pump output. Connect a X7R, 0.22- $\mu$ F, 16-V ceramic capacitor to VM.
VM	2, 13	2, 13	1, 8	1, 8	PWR	Power supply. Connect to motor supply voltage and bypass to PGND with two 0.01- $\mu$ F ceramic capacitors (one for each pin) plus a bulk capacitor rated for VM.
PGND	3, 12	3, 12	2, 7	2, 7	PWR	Power ground. Connect to system ground.
nFAULT	16	16	11	11	O	Fault indication. Pulled logic low with fault condition; open-drain output requires an external pullup resistor.
nSLEEP	26	26	21	21	I	Sleep mode input. Logic high to enable device; logic low to enter low-power sleep mode; internal pulldown resistor. An nSLEEP low pulse clears faults.
PAD	-	-	-	-	-	Thermal pad. Connect to system ground.

## 6 Specifications

### 6.1 Absolute Maximum Ratings

over operating free-air temperature range referenced with respect to GND (unless otherwise noted)

	MIN	MAX	UNIT
Power supply voltage (VM)	-0.3	35	V
Charge pump voltage (VCP, CPH)	-0.3	$V_{VM} + 7$	V
Charge pump negative switching pin (CPL)	-0.3	$V_{VM}$	V
nSLEEP pin voltage (nSLEEP)	-0.3	$V_{VM}$	V
Internal regulator voltage (DVDD)	-0.3	5.75	V
Control pin voltage (APH, AEN, BPH, BEN, AIN1, AIN2, BIN1, BIN2, nFAULT, ADECAY, BDECAY, TOFF)	-0.3	5.75	V
Open drain output current (nFAULT)	0	10	mA
Reference input pin voltage (VREFA, VREFB)	-0.3	5.75	V
Continuous phase node pin voltage (AOUT1, AOUT2, BOUT1, BOUT2)	-1	$V_{VM} + 1$	V
Transient 100 ns phase node pin voltage (AOUT1, AOUT2, BOUT1, BOUT2)	-3	$V_{VM} + 3$	V
Peak drive current (AOUT1, AOUT2, BOUT1, BOUT2)	Internally Limited		A
Operating ambient temperature, $T_A$	-40	125	°C
Operating junction temperature, $T_J$	-40	150	°C
Storage temperature, $T_{stg}$	-65	150	°C

Stresses beyond those listed under *Absolute Maximum Ratings* may cause permanent damage to the device. These are stress ratings only, which do not imply functional operation of the device at these or any other conditions beyond those indicated under *Recommended Operating Conditions*. Exposure to absolute-maximum-rated conditions for extended periods may affect device reliability.

### 6.2 ESD Ratings

			VALUE	UNIT	
$V_{(ESD)}$	Electrostatic discharge	Human-body model (HBM), per ANSI/ESDA/JEDEC JS-001	±2000	V	
		Charged-device model (CDM), per JEDEC specification JESD22-C101	Corner pins for PWP (1, 14, 15, and 28)		±750
			Other pins		±500

### 6.3 Recommended Operating Conditions

over operating free-air temperature range (unless otherwise noted)

		MIN	MAX	UNIT
$V_{VM}$	Supply voltage range for normal (DC) operation	4.5	33	V
$V_I$	Logic level input voltage	0	5.5	V
$V_{REF}$	Reference rms voltage range (VREFA, VREFB) (DRV8424E, DRV8424P)	0.05	3.3	V
$V_{REF}$	Reference rms voltage range (VREFA, VREFB) (DRV8425E, DRV8425P)	0.05	2.64	V
$f_{PWM}$	Applied PWM signal (APH, AEN, BPH, BEN, AIN1, AIN2, BIN1, BIN2)	0	100	kHz
$I_{FS}$	Motor full-scale current (xOUTx) (DRV8424E, DRV8424P)	0	2.5	A
$I_{FS}$	Motor full-scale current (xOUTx) (DRV8425E, DRV8425P)	0	2	A
$I_{rms}$	Motor RMS current (xOUTx) (DRV8424E, DRV8424P)	0	1.8	A
$I_{rms}$	Motor RMS current (xOUTx) (DRV8425E, DRV8425P)	0	1.4	A
$T_A$	Operating ambient temperature	-40	125	°C
$T_J$	Operating junction temperature	-40	150	°C

### 6.4 Thermal Information

THERMAL METRIC		PWP (HTSSOP)	RGE (VQFN)	UNIT
		28 PINS	24 PINS	
$R_{\theta JA}$	Junction-to-ambient thermal resistance	31.0	40.7	°C/W
$R_{\theta JC(top)}$	Junction-to-case (top) thermal resistance	25.2	31.8	°C/W
$R_{\theta JB}$	Junction-to-board thermal resistance	10.8	17.7	°C/W
$\psi_{JT}$	Junction-to-top characterization parameter	0.4	0.6	°C/W
$\psi_{JB}$	Junction-to-board characterization parameter	10.7	17.7	°C/W
$R_{\theta JC(bot)}$	Junction-to-case (bottom) thermal resistance	3.3	4.7	°C/W



## 6.5 Electrical Characteristics

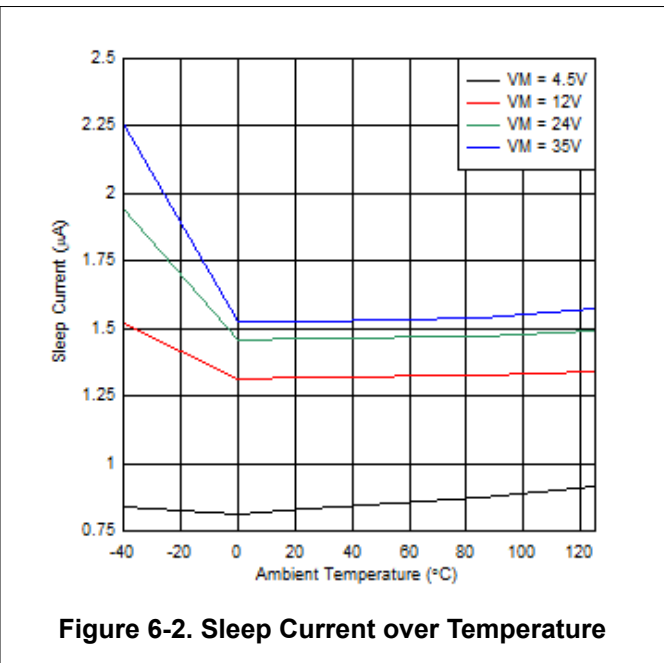
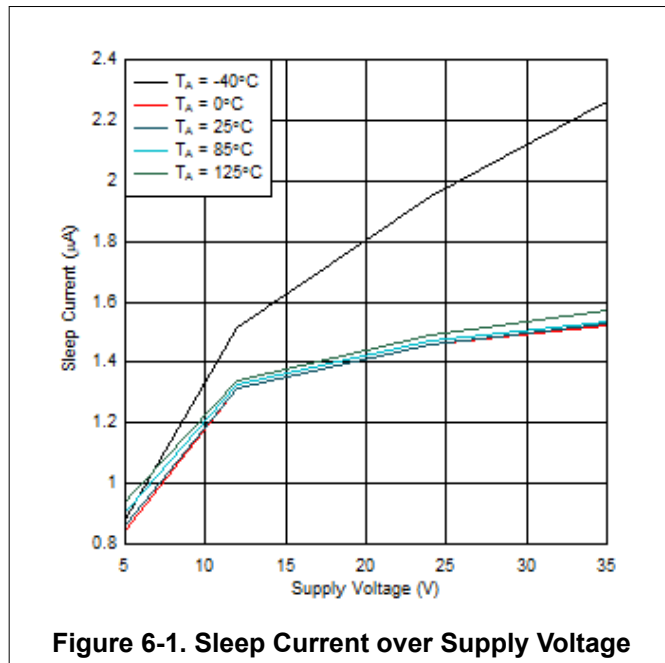
Typical values are at  $T_A = 25^\circ\text{C}$  and  $V_{VM} = 24\text{ V}$ . All limits are over recommended operating conditions, unless otherwise noted.

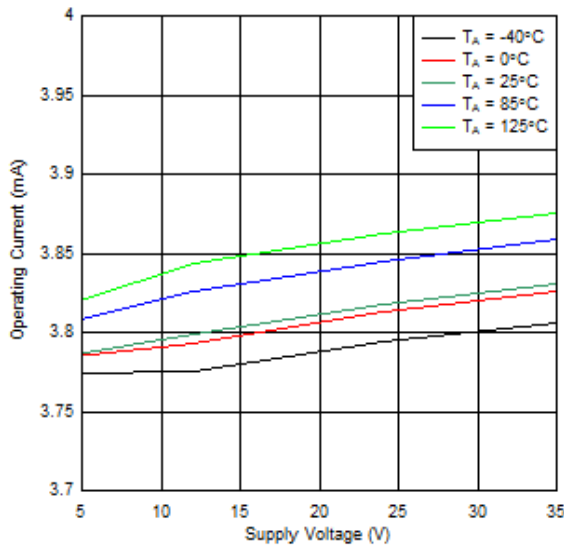
PARAMETER		TEST CONDITIONS	MIN	TYP	MAX	UNIT
<b>POWER SUPPLIES (VM, DVDD)</b>						
$I_{VM}$	VM operating supply current	nSLEEP = 1, No motor load		5	6.5	mA
$I_{VMQ}$	VM sleep mode supply current	nSLEEP = 0		2	4	$\mu\text{A}$
$t_{SLEEP}$	Sleep time	nSLEEP = 0 to sleep-mode	120			$\mu\text{s}$
$t_{RESET}$	nSLEEP reset pulse	nSLEEP low to clear fault	20		40	$\mu\text{s}$
$t_{WAKE}$	Wake-up time	nSLEEP = 1 to output transition		0.8	1.2	ms
$t_{ON}$	Turn-on time	VM > UVLO to output transition		0.8	1.2	ms
$V_{DVDD}$	Internal regulator voltage	No external load, $6\text{ V} < V_{VM} < 33\text{ V}$	4.75	5	5.25	V
		No external load, $V_{VM} = 4.5\text{ V}$	4.2	4.35		V
<b>CHARGE PUMP (VCP, CPH, CPL)</b>						
$V_{VCP}$	VCP operating voltage	$6\text{ V} < V_{VM} < 33\text{ V}$		$V_{VM} + 5$		V
$f_{(VCP)}$	Charge pump switching frequency	$V_{VM} > UVLO$ ; nSLEEP = 1		360		kHz
<b>LOGIC-LEVEL INPUTS (APH, AEN, BPH, BEN, AIN1, AIN2, BIN1, BIN2, nSLEEP)</b>						
$V_{IL}$	Input logic-low voltage		0		0.6	V
$V_{IH}$	Input logic-high voltage		1.5		5.5	V
$V_{HYS}$	Input logic hysteresis			150		mV
$I_{IL}$	Input logic-low current	$V_{IN} = 0\text{ V}$	-1		1	$\mu\text{A}$
$I_{IH}$	Input logic-high current	$V_{IN} = 5\text{ V}$			100	$\mu\text{A}$
$t_{PD}$	Propagation delay	xPH, xEN, xINx input to current change		800		ns
<b>QUAD-LEVEL INPUTS (ADELAY, BDEAY, TOFF)</b>						
$V_{I1}$	Input logic-low voltage	Tied to GND	0		0.6	V
$V_{I2}$		$330\text{k}\Omega \pm 5\%$ to GND	1	1.25	1.4	V
$V_{I3}$	Input Hi-Z voltage	Hi-Z (>500k $\Omega$ to GND)	1.8	2	2.2	V
$V_{I4}$	Input logic-high voltage	Tied to DVDD	2.7		5.5	V
$I_O$	Output pull-up current			10		$\mu\text{A}$
<b>CONTROL OUTPUTS (nFAULT)</b>						
$V_{OL}$	Output logic-low voltage	$I_O = 5\text{ mA}$			0.5	V
$I_{OH}$	Output logic-high leakage		-1		1	$\mu\text{A}$
<b>MOTOR DRIVER OUTPUTS (AOUT1, AOUT2, BOUT1, BOUT2)</b>						
$R_{DS(ONH)}$	High-side FET on resistance (DRV8424E, DRV8424P)	$T_J = 25^\circ\text{C}$ , $I_O = -1\text{ A}$		165	200	m $\Omega$
		$T_J = 125^\circ\text{C}$ , $I_O = -1\text{ A}$		250	300	m $\Omega$
		$T_J = 150^\circ\text{C}$ , $I_O = -1\text{ A}$		280	350	m $\Omega$
$R_{DS(ONL)}$	Low-side FET on resistance (DRV8424E, DRV8424)	$T_J = 25^\circ\text{C}$ , $I_O = 1\text{ A}$		165	200	m $\Omega$
		$T_J = 125^\circ\text{C}$ , $I_O = 1\text{ A}$		250	300	m $\Omega$
		$T_J = 150^\circ\text{C}$ , $I_O = 1\text{ A}$		280	350	m $\Omega$
$R_{DS(ONH)}$	High-side FET on resistance (DRV8425E, DRV8425P)	$T_J = 25^\circ\text{C}$ , $I_O = -1\text{ A}$		275	330	m $\Omega$
		$T_J = 125^\circ\text{C}$ , $I_O = -1\text{ A}$		410	500	m $\Omega$
		$T_J = 150^\circ\text{C}$ , $I_O = -1\text{ A}$		460	580	m $\Omega$
$R_{DS(ONL)}$	Low-side FET on resistance (DRV8425E, DRV8425P)	$T_J = 25^\circ\text{C}$ , $I_O = 1\text{ A}$		275	330	m $\Omega$
		$T_J = 125^\circ\text{C}$ , $I_O = 1\text{ A}$		410	500	m $\Omega$
		$T_J = 150^\circ\text{C}$ , $I_O = 1\text{ A}$		460	580	m $\Omega$
$t_{SR}$	Output slew rate	VM = 24V, $I_O = 1\text{ A}$ , Between 10% and 90%		240		V/ $\mu\text{s}$

Typical values are at  $T_A = 25^\circ\text{C}$  and  $V_{VM} = 24\text{ V}$ . All limits are over recommended operating conditions, unless otherwise noted.

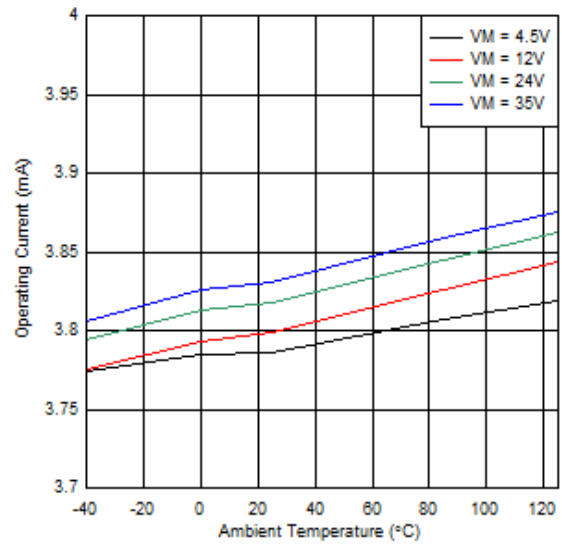
PARAMETER		TEST CONDITIONS	MIN	TYP	MAX	UNIT
<b>PWM CURRENT CONTROL (VREFA, VREFB)</b>						
$K_V$	Transimpedance gain	$V_{REF} = 3.3\text{ V}$	1.254	1.32	1.386	V/A
$I_{VREF}$	VREF Leakage Current	$V_{REF} = 3.3\text{ V}$			8.25	$\mu\text{A}$
$t_{OFF}$	PWM off-time	TOFF = 0		7		$\mu\text{s}$
		TOFF = 1		16		
		TOFF = Hi-Z		24		
		TOFF = 330 k $\Omega$ to GND		32		
$\Delta I_{TRIP}$	Current trip accuracy	$I_O = 2.5\text{ A}$ , 10% to 20% current setting	-8		12	%
		$I_O = 2.5\text{ A}$ , 20% to 40% current setting	-7		7	
		$I_O = 2.5\text{ A}$ , 40% to 100% current setting	-5		5	
$I_{O,CH}$	AOUT and BOUT current matching	$I_O = 2.5\text{ A}$	-2.5		2.5	%
<b>PROTECTION CIRCUITS</b>						
$V_{UVLO}$	VM UVLO lockout	VM falling, UVLO falling	4.1	4.25	4.35	V
		VM rising, UVLO rising	4.2	4.35	4.45	
$V_{UVLO,HYS}$	Undervoltage hysteresis	Rising to falling threshold		100		mV
$V_{CPUV}$	Charge pump undervoltage	VCP falling		$V_{VM} + 2$		V
$I_{OCP}$	Overcurrent protection (DRV8424E, DRV8424P)	Current through any FET	4			A
$I_{OCP}$	Overcurrent protection (DRV8425E, DRV8425P)	Current through any FET	3.2			A
$t_{OCP}$	Overcurrent deglitch time			1.8		$\mu\text{s}$
$T_{OTSD}$	Thermal shutdown	Die temperature $T_J$	150	165	180	$^\circ\text{C}$
$T_{HYS\_OTSD}$	Thermal shutdown hysteresis	Die temperature $T_J$		20		$^\circ\text{C}$

### 6.6 Typical Characteristics

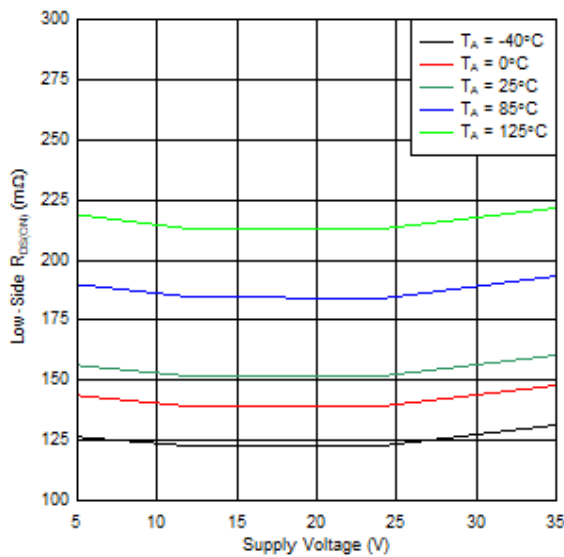




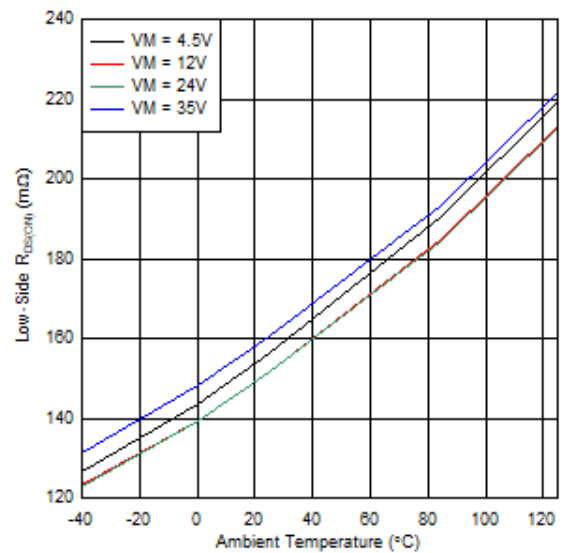
**Figure 6-3. Operating Current over Supply Voltage**



**Figure 6-4. Operating Current over Temperature**



**Figure 6-5. Low-Side  $R_{DS(ON)}$  over Supply Voltage**



**Figure 6-6. Low-Side  $R_{DS(ON)}$  over Temperature**

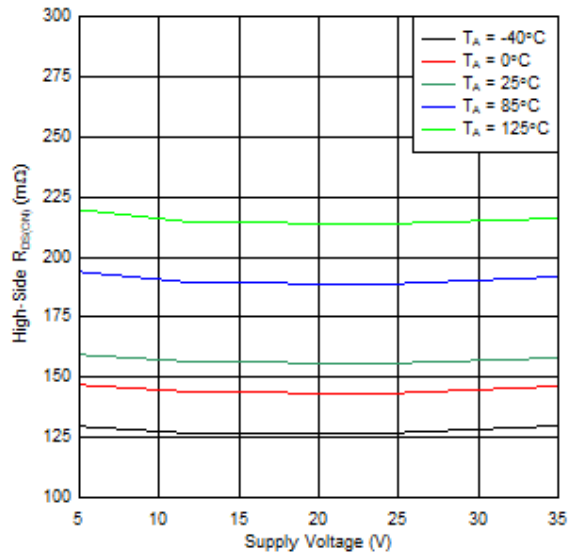


Figure 6-7. High-Side  $R_{DS(ON)}$  over Supply Voltage

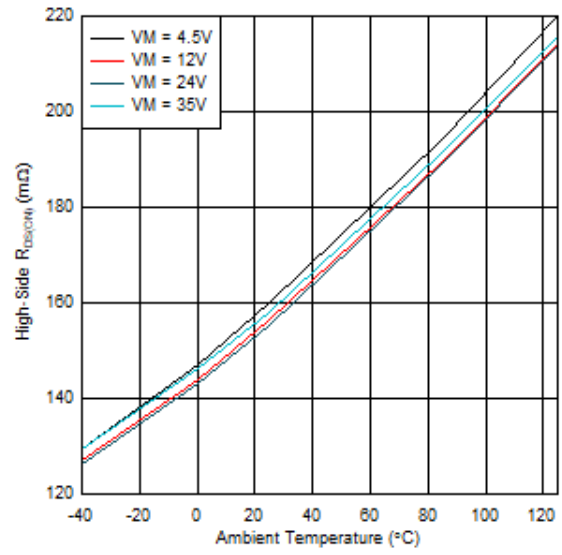


Figure 6-8. High-Side  $R_{DS(ON)}$  over Temperature

## 7 Detailed Description

### 7.1 Overview

The DRV8424E/P, DRV8425E/P are integrated motor driver solutions for bipolar stepper motors or dual brushed-DC motors. The devices integrate two N-channel power MOSFET H-bridges, integrated current sense and regulation circuitry. The DRV8424E/P and DRV8425E/P are pin-to-pin compatible with the [DRV8426E/P](#), [DRV8436E/P](#), and the [DRV8434E/P](#). The DRV8424E/P, DRV8425E/P can be powered with a supply voltage between 4.5 V and 33 V. The DRV8424E/P are capable of providing an output current up to 4-A peak or 2.5-A full-scale. The DRV8425E/P are capable of providing an output current up to 3.2-A peak or 2-A full-scale. The actual full-scale and rms current depends on the ambient temperature, supply voltage, and PCB thermal capability.

The DRV8424E/P and DRV8425E/P devices use an integrated current-sense architecture which eliminates the need for two external power sense resistors, hence saving significant board space, BOM cost, design efforts and reduces significant power consumption. This architecture removes the power dissipated in the sense resistors by using a current mirror approach and using the internal power MOSFETs for current sensing. The current regulation set point is adjusted by the voltage at the VREFA and VREFB pins.

A simple PH/EN (DRV8424E and DRV8425E) or PWM (DRV8424P and DRV8425P) interface allows easy interfacing to the controller circuit.

The current regulation is highly configurable, with several decay modes of operation. The decay mode can be selected as a smart tune Dynamic Decay, smart tune Ripple Control, mixed, or fast decay. The PWM off-time,  $t_{OFF}$ , can be adjusted to 7, 16, 24, or 32  $\mu$ s.

A low-power sleep mode is included which allows the system to save power when not driving the motor.

## 7.2 Functional Block Diagrams

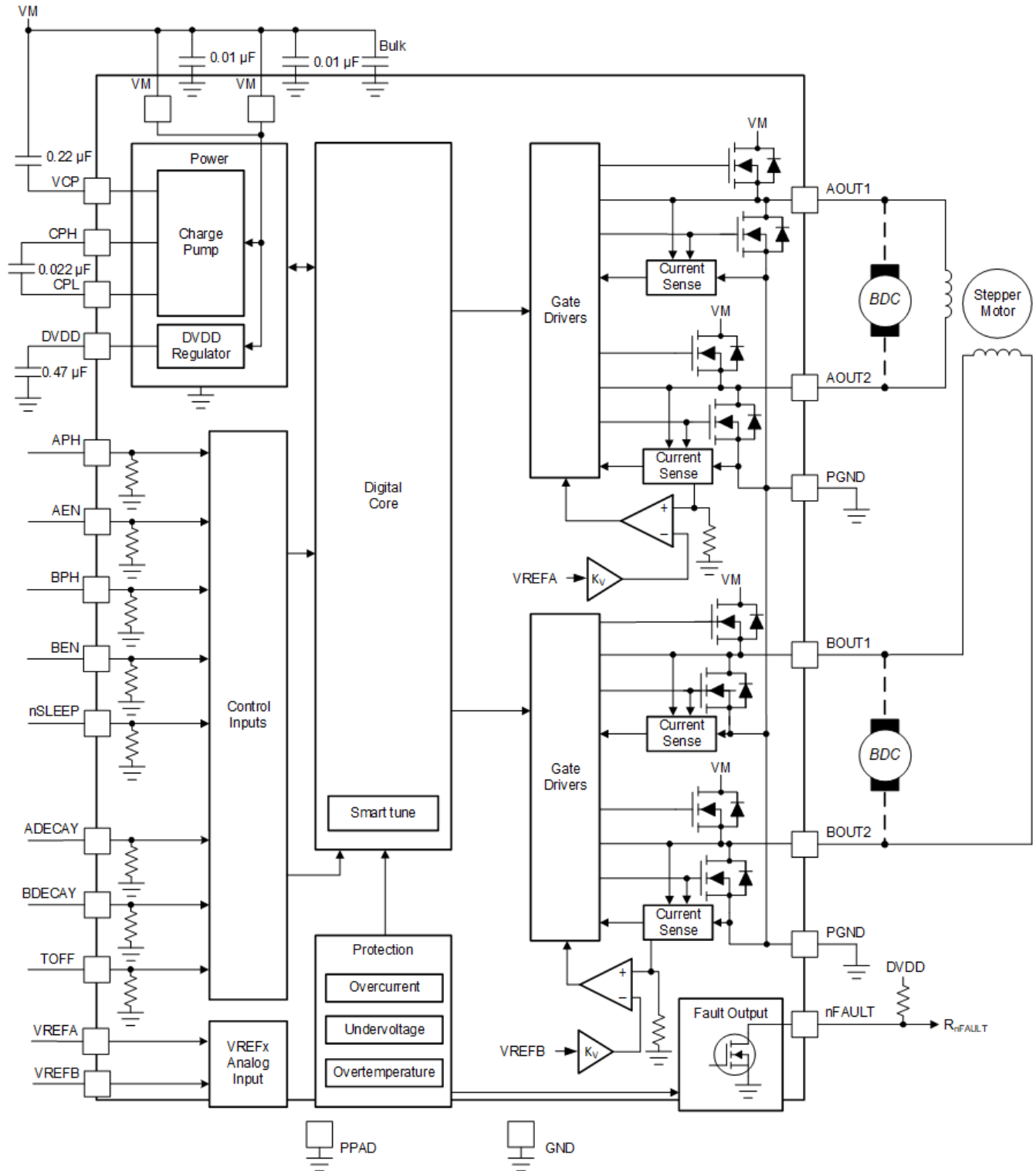
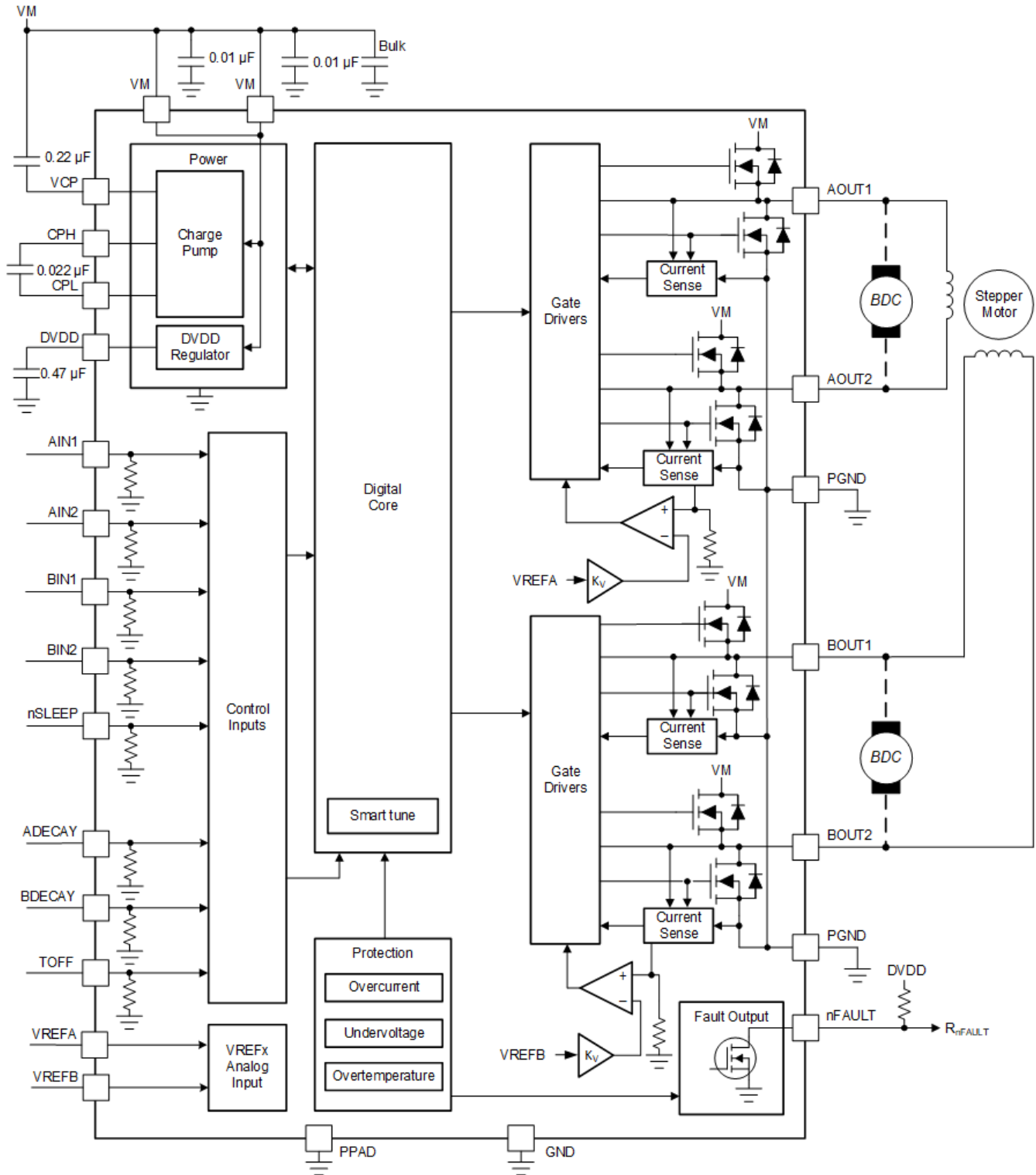


Figure 7-1. DRV8424E, DRV8425E Block Diagram



**Figure 7-2. DRV8424P, DRV8425P Block Diagram**

### 7.3 Feature Description

The following table shows the recommended values of the external components for the driver.

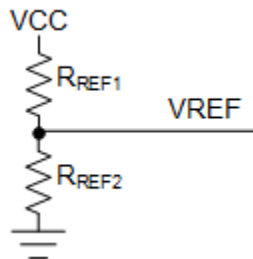


Figure 7-3. Resistor divider connected to the VREF pins

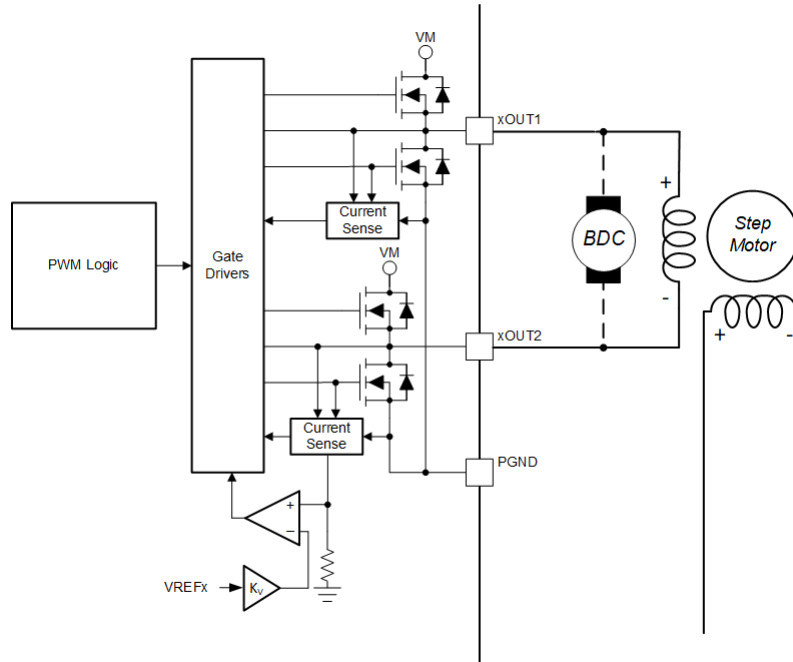
Table 7-1. External Components

COMPONENT	PIN 1	PIN 2	RECOMMENDED
C <sub>VM1</sub>	VM	PGND	Two X7R, 0.01-μF, VM-rated ceramic capacitors
C <sub>VM2</sub>	VM	PGND	Bulk, VM-rated capacitor
C <sub>VCP</sub>	VCP	VM	X7R, 0.22-μF, 16-V ceramic capacitor
C <sub>SW</sub>	CPH	CPL	X7R, 0.022-μF, VM-rated ceramic capacitor
C <sub>DVDD</sub>	DVDD	GND	X7R, 0.47-μF to 1-μF, 6.3-V or 10-V rated ceramic capacitor
R <sub>nFAULT</sub>	VCC	nFAULT	>4.7-kΩ resistor
R <sub>REF1</sub>	VREFx	VCC	Resistor to limit chopping current. It is recommended that the value of parallel combination of R <sub>REF1</sub> and R <sub>REF2</sub> should be less than 50-kΩ.
R <sub>REF2</sub> (Optional)	VREFx	GND	



### 7.3.1 PWM Motor Drivers

The devices contains drivers for two full H-bridges. Figure 7-4 shows a block diagram of the circuitry.



**Figure 7-4. PWM Motor Driver Block Diagram**

### 7.3.2 Bridge Control

The DRV8424E, DRV8425E are controlled using a PH/EN interface. Table 7-2 gives the full H-bridge state. Note that this table does not take into account the current control built into the DRV8424E, DRV8425E. Positive current is defined in the direction of xOUT1 to xOUT2.

**Table 7-2. DRV8424E, DRV8425E (PH/EN) Control Interface**

nSLEEP	xEN	xPH	xOUT1	xOUT2	DESCRIPTION
0	X	X	Hi-Z	Hi-Z	Sleep mode; H-bridge disabled Hi-Z
1	0	X	Hi-Z	Hi-Z	H-bridge disabled Hi-Z
1	1	0	L	H	Reverse (current xOUT2 to xOUT1)
1	1	1	H	L	Forward (current xOUT1 to xOUT2)

The DRV8424P, DRV8425P are controlled using a PWM interface. Table 7-3 gives the full H-bridge state. Note that this table does not take into account the current control built into the DRV8424P, DRV8425P. Positive current is defined in the direction of xOUT1 to xOUT2.

**Table 7-3. DRV8424P, DRV8425P (PWM) Control Interface**

nSLEEP	xIN1	xIN2	xOUT1	xOUT2	DESCRIPTION
0	X	X	Hi-Z	Hi-Z	Sleep mode; H-bridge disabled Hi-Z
1	0	0	L	L	Brake; low-side slow decay
1	0	1	L	H	Reverse (current xOUT2 to xOUT1)
1	1	0	H	L	Forward (current xOUT1 to xOUT2)
1	1	1	H	H	Brake; high-side slow decay

### 7.3.3 Current Regulation

The current through the motor windings is regulated by an adjustable, off-time PWM current-regulation circuit. When an H-bridge is enabled, current rises through the winding at a rate dependent on the DC voltage, inductance of the winding, and the magnitude of the back EMF present. When the current hits the current regulation threshold, the bridge enters a decay mode for a period of time determined by the TOFF pin setting to decrease the current. After the off-time expires, the bridge is re-enabled, starting another PWM cycle.

**Table 7-4. Off-Time Settings**

TOFF	OFF-TIME $t_{OFF}$
0	7 $\mu$ s
1	16 $\mu$ s
Hi-Z	24 $\mu$ s
330k $\Omega$ to GND	32 $\mu$ s

The TOFF pin configures the PWM OFF time for all decay modes except smart tune ripple control. The OFF time settings can be changed on the fly. After a OFF time setting change, the new OFF time is applied after a 10  $\mu$ s de-glitch time.

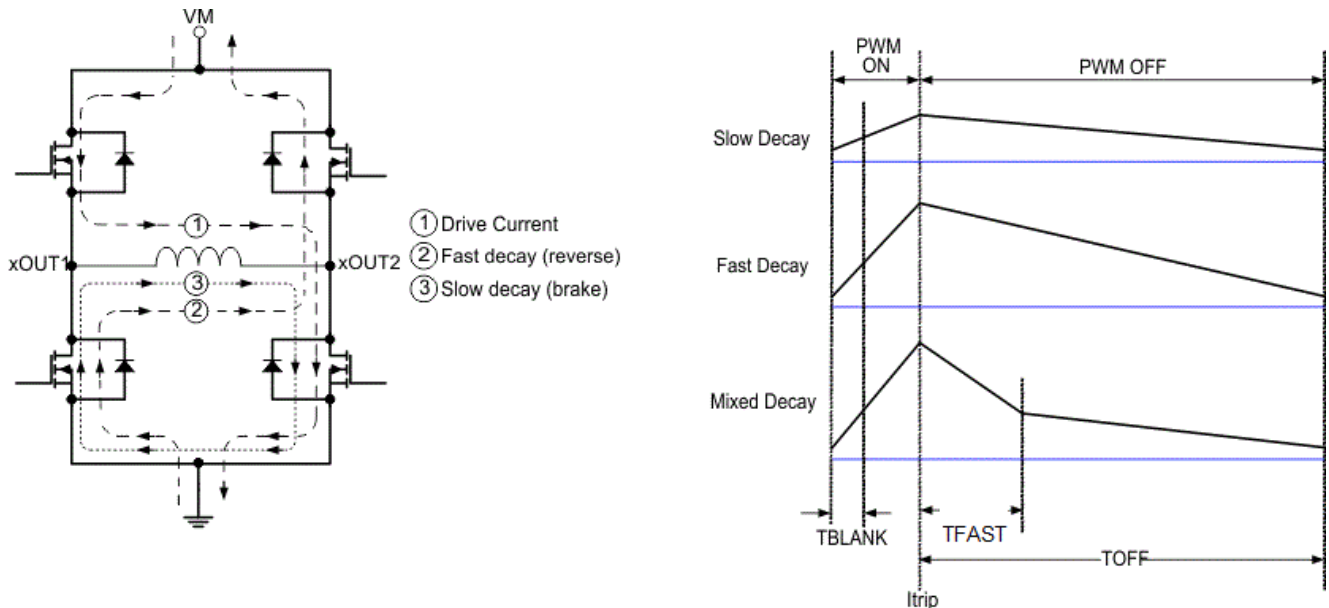
The current regulation threshold is set by a comparator which monitors the voltage across the current sense MOSFETs in parallel with the low-side power MOSFETs. To generate the reference voltage for the comparator, the VREFx input is attenuated by a factor of Kv.

The current regulation threshold ( $I_{REG}$ ) can be calculated as  $I_{REG} (A) = V_{REFx} (V) / K_V (V/A) = V_{REFx} (V) / 1.32 (V/A)$ .

### 7.3.4 Decay Modes

During PWM current chopping, the H-bridge is enabled to drive through the motor winding until the PWM current regulation threshold is reached. This is shown in [Figure 7-5](#), Item 1.

Once the current threshold is reached, the H-bridge can operate in two different states, fast decay or slow decay. In fast decay mode, once the current level has been reached, the H-bridge reverses state to allow winding current to flow in a reverse direction. Fast decay mode is shown in [Figure 7-5](#), item 2. In slow decay mode, winding current is re-circulated by enabling both of the low-side FETs in the bridge. This is shown in [Figure 7-5](#), Item 3.



**Figure 7-5. Decay Modes**

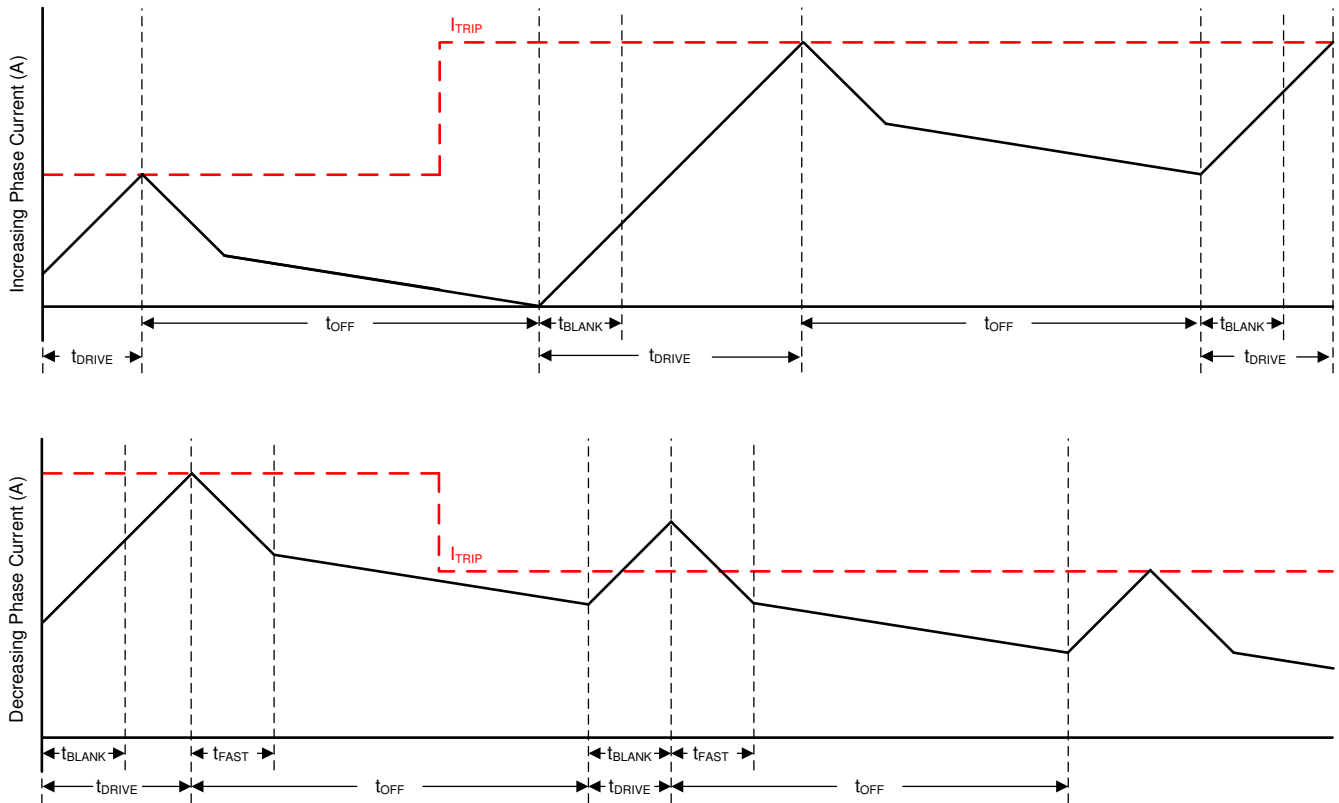
The decay mode is selected by setting the quad-level ADECAY and BDECAY pins as shown in [Table 7-5](#).

**Table 7-5. Decay Mode Settings**

xDECAY	DECAY MODE
0	Smart tune Dynamic Decay
1	Smart tune Ripple Control
Hi-Z	Mixed decay: 30% fast
330k to GND	Fast decay

The ADECAY pin sets the decay mode for H-bridge A (AOUT1, AOUT2), and the BDECAY pin sets the decay mode for H-bridge B (BOUT1, BOUT2).

### 7.3.4.1 Mixed Decay

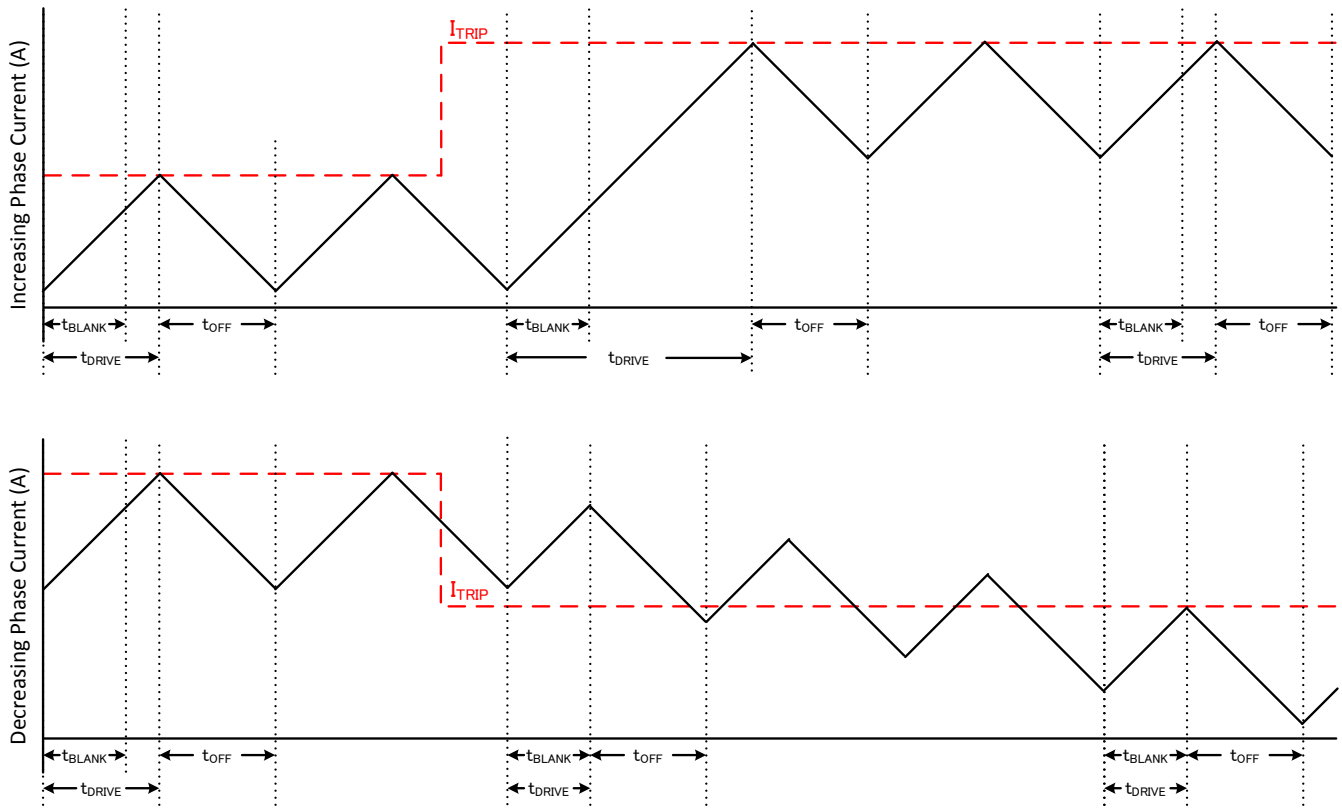


**Figure 7-6. Mixed Decay Mode**

Mixed decay begins as fast decay for 30% of  $t_{OFF}$ , followed by slow decay for the remainder of  $t_{OFF}$ .

This mode exhibits ripple larger than slow decay, but smaller than fast decay. On decreasing current steps, mixed decay settles to the new  $I_{TRIP}$  level faster than slow decay.

### 7.3.4.2 Fast Decay



**Figure 7-7. Fast/Fast Decay Mode**

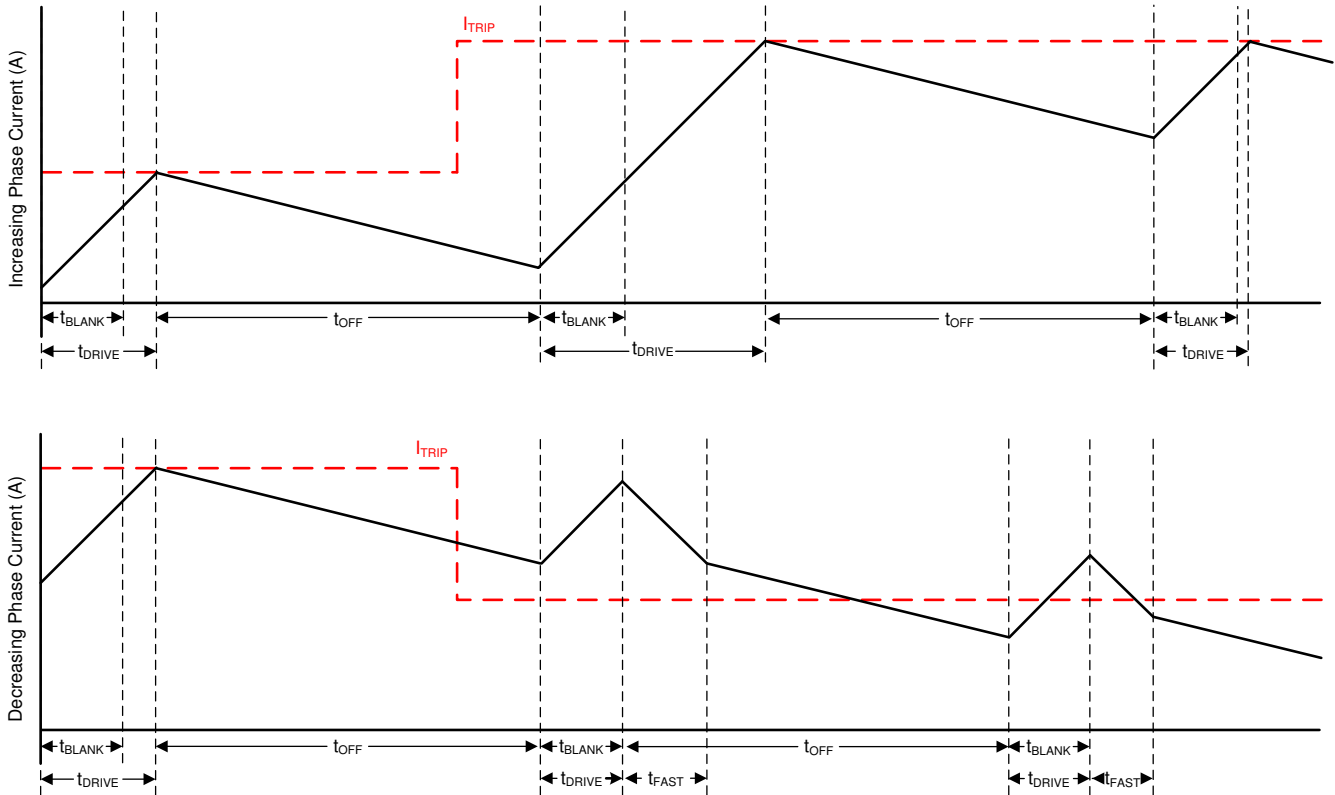
During fast decay, the polarity of the H-bridge is reversed. The H-bridge will be turned off as current approaches zero in order to prevent current flow in the reverse direction.

Fast decay exhibits the highest current ripple of the decay modes for a given  $t_{OFF}$ . Transition time on decreasing current steps is much faster than slow decay since the current is allowed to decrease much faster.

### 7.3.4.3 Smart tune Dynamic Decay

The smart tune current regulation scheme is an advanced current-regulation control method compared to traditional fixed off-time current regulation schemes. Smart tune current regulation scheme helps the stepper motor driver adjust the decay scheme based on operating factors such as the ones listed as follows:

- Motor winding resistance and inductance
- Motor aging effects
- Motor dynamic speed and load
- Motor supply voltage variation
- Low-current versus high-current  $di/dt$



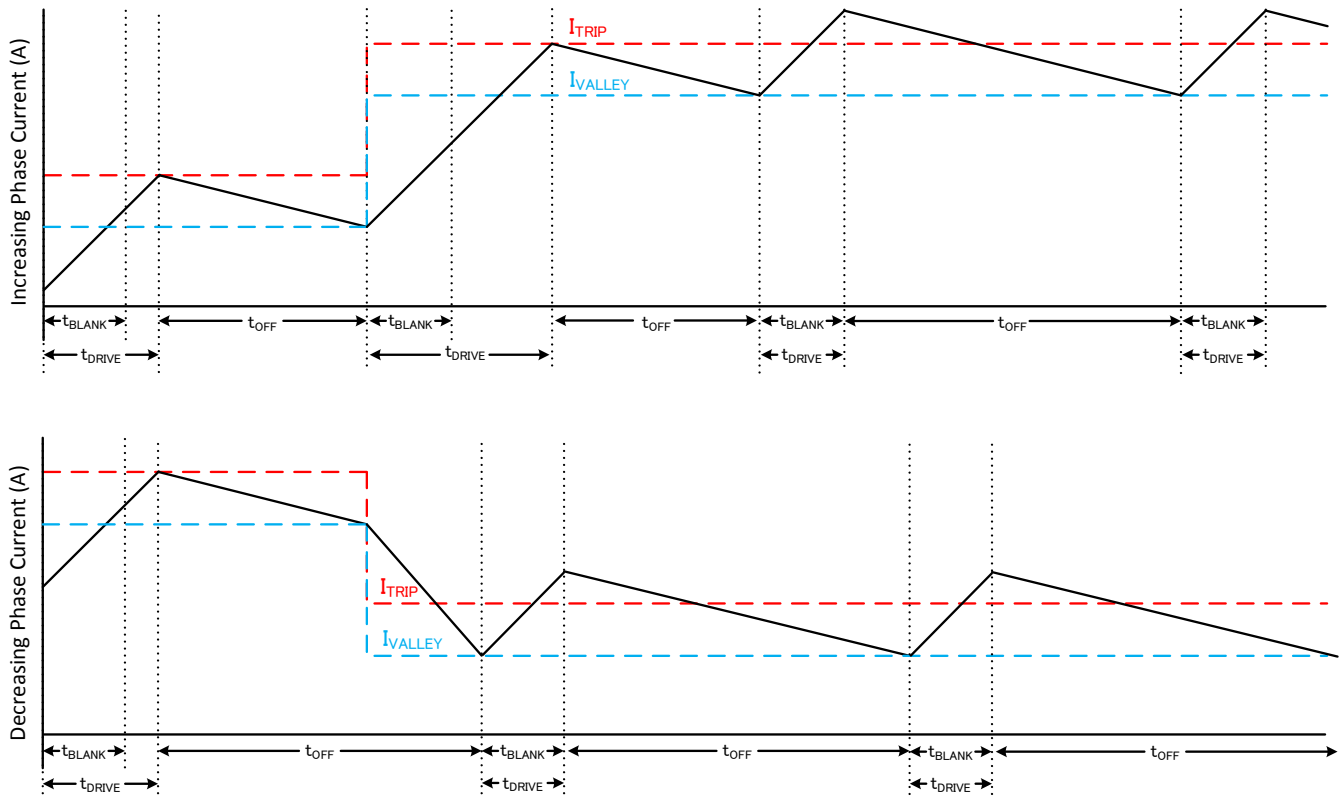
**Figure 7-8. Smart tune Dynamic Decay Mode**

Smart tune Dynamic Decay greatly simplifies the decay mode selection by automatically configuring the decay mode between slow, mixed, and fast decay. In mixed decay, smart tune dynamically adjusts the fast decay percentage of the total mixed decay time. This feature eliminates motor tuning by automatically determining the best decay setting that results in the lowest ripple for the motor.

The decay mode setting is optimized iteratively each PWM cycle. If the motor current overshoots the target trip level, then the decay mode becomes more aggressive (add fast decay percentage) on the next cycle to prevent regulation loss. If a long drive time must occur to reach the target trip level, the decay mode becomes less aggressive (remove fast decay percentage) on the next cycle to operate with less ripple and more efficiently. On falling steps, smart tune Dynamic Decay automatically switches to fast decay to reach the next step quickly.

Smart tune Dynamic Decay is optimal for applications that require minimal current ripple but want to maintain a fixed frequency in the current regulation scheme.

### 7.3.4.4 Smart tune Ripple Control



**Figure 7-9. Smart tune Ripple Control Decay Mode**

Smart tune Ripple Control operates by setting an  $I_{VALLEY}$  level alongside the  $I_{TRIP}$  level. When the current level reaches  $I_{TRIP}$ , instead of entering slow decay until the  $t_{OFF}$  time expires, the driver enters slow decay until  $I_{VALLEY}$  is reached. Slow decay operates similar to mode 1 in which both low-side MOSFETs are turned on allowing the current to recirculate. In this mode,  $t_{OFF}$  varies depending on the current level and operating conditions.

This method allows much tighter regulation of the current level increasing motor efficiency and system performance. Smart tune Ripple Control can be used in systems that can tolerate a variable off-time regulation scheme to achieve small current ripple in the current regulation.

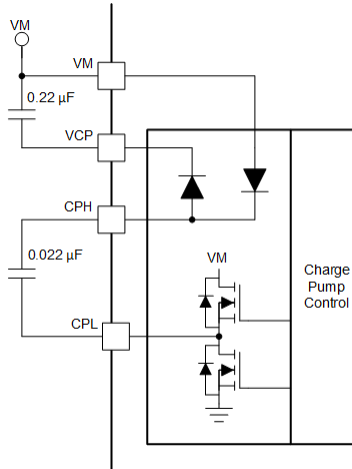
The ripple current in this decay mode is  $19\text{mA} + 1\%$  of the  $I_{TRIP}$  at a specific microstep level.

#### 7.3.4.5 Blanking time

After the current is enabled (start of drive phase) in an H-bridge, the current sense comparator is ignored for a period of time ( $t_{BLANK}$ ) before enabling the current-sense circuitry. The blanking time also sets the minimum drive time of the PWM. The blanking time is approximately  $1\ \mu\text{s}$ .

#### 7.3.5 Charge Pump

A charge pump is integrated to supply a high-side N-channel MOSFET gate-drive voltage. The charge pump requires a capacitor between the VM and VCP pins to act as the storage capacitor. Additionally a ceramic capacitor is required between the CPH and CPL pins to act as the flying capacitor.



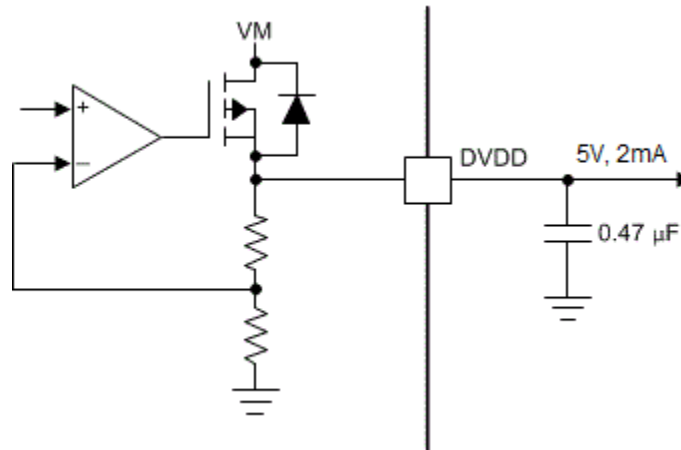
**Figure 7-10. Charge Pump Block Diagram**



### 7.3.6 Linear Voltage Regulators

A linear voltage regulator is integrated in the device. The DVDD regulator can be used to provide a reference voltage. DVDD can supply a maximum of 2 mA load. For proper operation, bypass the DVDD pin to GND using a ceramic capacitor.

The DVDD output is nominally 5-V. When the DVDD LDO current load exceeds 2 mA, the output voltage drops significantly.



**Figure 7-11. Linear Voltage Regulator Block Diagram**

If a digital input must be tied permanently high (that is, ADECAY, BDECAY or TOFF), tying the input to the DVDD pin instead of an external regulator is preferred. This method saves power when the VM pin is not applied or in sleep mode: the DVDD regulator is disabled and current does not flow through the input pulldown resistors. For reference, logic level inputs have a typical pulldown of 200 kΩ.

The nSLEEP pin cannot be tied to DVDD, else the device will never exit sleep mode.

### 7.3.7 Logic and Quad-Level Pin Diagrams

Figure 7-12 gives the input structure for logic-level pins APH, AEN, BPH, BEN, AIN1, AIN2, BIN1, BIN2 and nSLEEP:

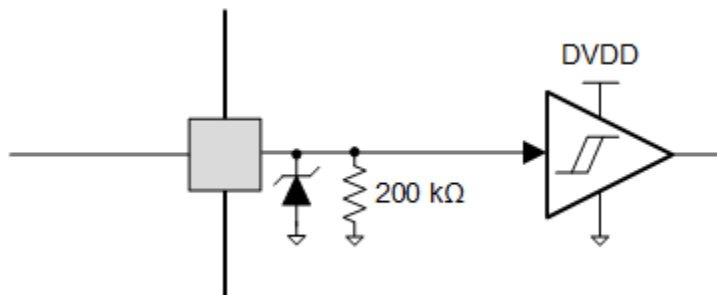


Figure 7-12. Logic-level Input Pin Diagram

Quad-level logic pins TOFF, ADECAY, and BDECAY have the following structure as shown in Figure 7-13.

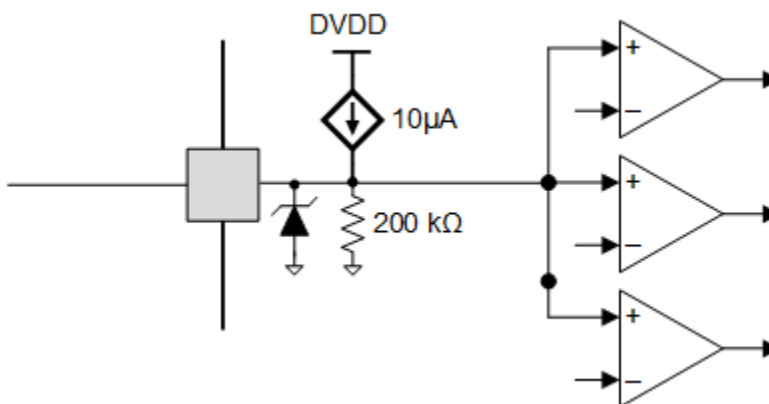


Figure 7-13. Quad-Level Input Pin Diagram

### 7.3.8 nFAULT Pin

The nFAULT pin has an open-drain output and should be pulled up to a 5-V, 3.3-V or 1.8-V supply. When a fault is detected, the nFAULT pin will be logic low. nFAULT pin will be high after power-up. For a 5-V pullup, the nFAULT pin can be tied to the DVDD pin with a resistor. For a 3.3-V or 1.8-V pullup, an external supply must be used.

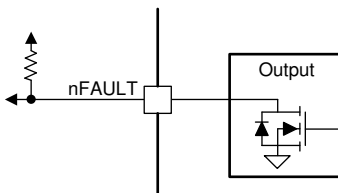


Figure 7-14. nFAULT Pin

### 7.3.9 Protection Circuits

The devices are fully protected against supply undervoltage, charge pump undervoltage, output overcurrent, and device overtemperature events.

#### 7.3.9.1 VM Undervoltage Lockout (UVLO)

If at any time the voltage on the VM pin falls below the UVLO-threshold voltage for the voltage supply, all the outputs are disabled, and the nFAULT pin is driven low. The charge pump is disabled in this condition.

Normal operation resumes (motor-driver operation and nFAULT released) when the VM undervoltage condition is removed.

### 7.3.9.2 VCP Undervoltage Lockout (CPUV)

If at any time the voltage on the VCP pin falls below the CPUV voltage, all the outputs are disabled, and the nFAULT pin is driven low. The charge pump remains active during this condition. Normal operation resumes (motor-driver operation and nFAULT released) when the VCP undervoltage condition is removed.

### 7.3.9.3 Overcurrent Protection (OCP)

An analog current-limit circuit on each FET limits the current through the FET by removing the gate drive. If this current limit persists for longer than the  $t_{OCP}$  time, the FETs in that particular H-bridge are disabled and the nFAULT pin is driven low. The charge pump remains active during this condition. Once the OCP condition is removed, normal operation resumes after applying an nSLEEP reset pulse or a power cycling.

### 7.3.9.4 Thermal Shutdown (OTSD)

If the die temperature exceeds the thermal shutdown limit ( $T_{OTSD}$ ) all MOSFETs in the H-bridge are disabled, and the nFAULT pin is driven low. After the junction temperature falls below the overtemperature threshold limit minus the hysteresis ( $T_{OTSD} - T_{HYS\_OTSD}$ ), normal operation resumes after applying an nSLEEP reset pulse or a power cycling.

### 7.3.9.5 Fault Condition Summary

**Table 7-6. Fault Condition Summary**

FAULT	CONDITION	ERROR REPORT	H-BRIDGE	CHARGE PUMP	LOGIC	RECOVERY
VM undervoltage (UVLO)	$VM < V_{UVLO}$	nFAULT	Disabled	Disabled	Reset ( $V_{DVDD} < 3.9V$ )	Automatic: $VM > V_{UVLO}$
VCP undervoltage (CPUV)	$VCP < V_{CPUV}$	nFAULT	Disabled	Operating	Operating	$VCP > V_{CPUV}$
Overcurrent (OCP)	$I_{OUT} > I_{OCP}$	nFAULT	Disabled	Operating	Operating	Latched
Thermal Shutdown (OTSD)	$T_J > T_{TSD}$	nFAULT	Disabled	Disabled	Operating	Latched

## 7.4 Device Functional Modes

### 7.4.1 Sleep Mode (nSLEEP = 0)

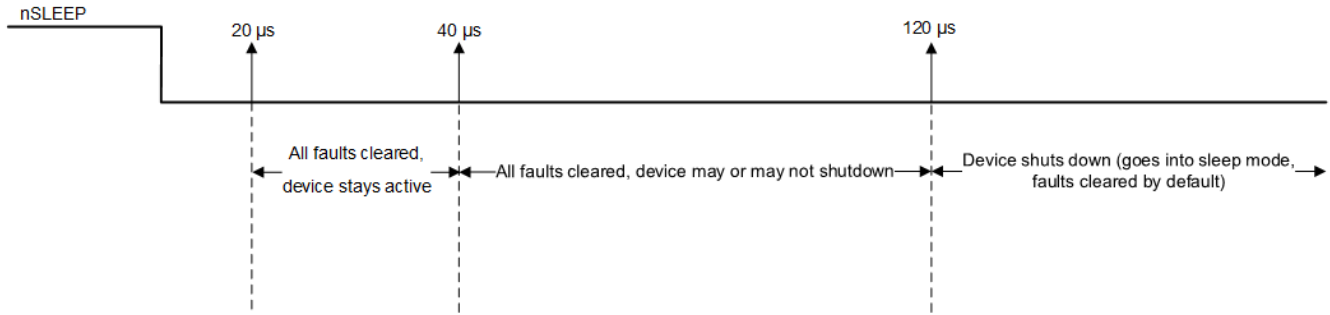
The state of the device is managed by the nSLEEP pin. When the nSLEEP pin is low, the device enters a low-power sleep mode. In sleep mode, all the internal MOSFETs are disabled and the charge pump is disabled. The  $t_{SLEEP}$  time must elapse after a falling edge on the nSLEEP pin before the device enters sleep mode. The device is brought out of sleep automatically if the nSLEEP pin is brought high. The  $t_{WAKE}$  time must elapse before the device is ready for inputs.

### 7.4.2 Operating Mode (nSLEEP = 1)

When the nSLEEP pin is high, and  $VM > UVLO$ , the device enters the active mode. The  $t_{WAKE}$  time must elapse before the device is ready for inputs.

### 7.4.3 nSLEEP Reset Pulse

A fault can be cleared through a quick nSLEEP pulse. This pulse width must be greater than 20  $\mu s$  and shorter than 40  $\mu s$ . If nSLEEP is low for longer than 40  $\mu s$  but less than 120  $\mu s$ , the faults are cleared and the device may or may not shutdown, as shown in the timing diagram. This reset pulse does not affect the status of the charge pump or other functional blocks.



**Figure 7-15. nSLEEP Reset Pulse**

### 7.4.4 Functional Modes Summary

The following table lists a summary of the functional modes.

**Table 7-7. Functional Modes Summary**

CONDITION		CONFIGURATI ON	H-BRIDGE	DVDD Regulator	CHARGE PUMP	Logic
Sleep mode	4.5 V < VM < 33 V	nSLEEP pin = 0	Disabled	Disbaled	Disabled	Disabled
Operating	4.5 V < VM < 33 V	nSLEEP pin = 1	Operating	Operating	Operating	Operating

## 8 Application and Implementation

### Note

Information in the following applications sections is not part of the TI component specification, and TI does not warrant its accuracy or completeness. TI's customers are responsible for determining suitability of components for their purposes. Customers should validate and test their design implementation to confirm system functionality.

### 8.1 Application Information

The DRV8424E/P and DRV8425E/P are used in brushed or stepper motor control.

### 8.2 Typical Application

In this application, the device is configured to drive bidirectional currents through two external loads (such as two brushed DC motors) using H-bridge configuration. The H-bridge polarity and duty cycle are controlled from the external controller to the xEN/xIN1 and xPH/xIN2 pins.

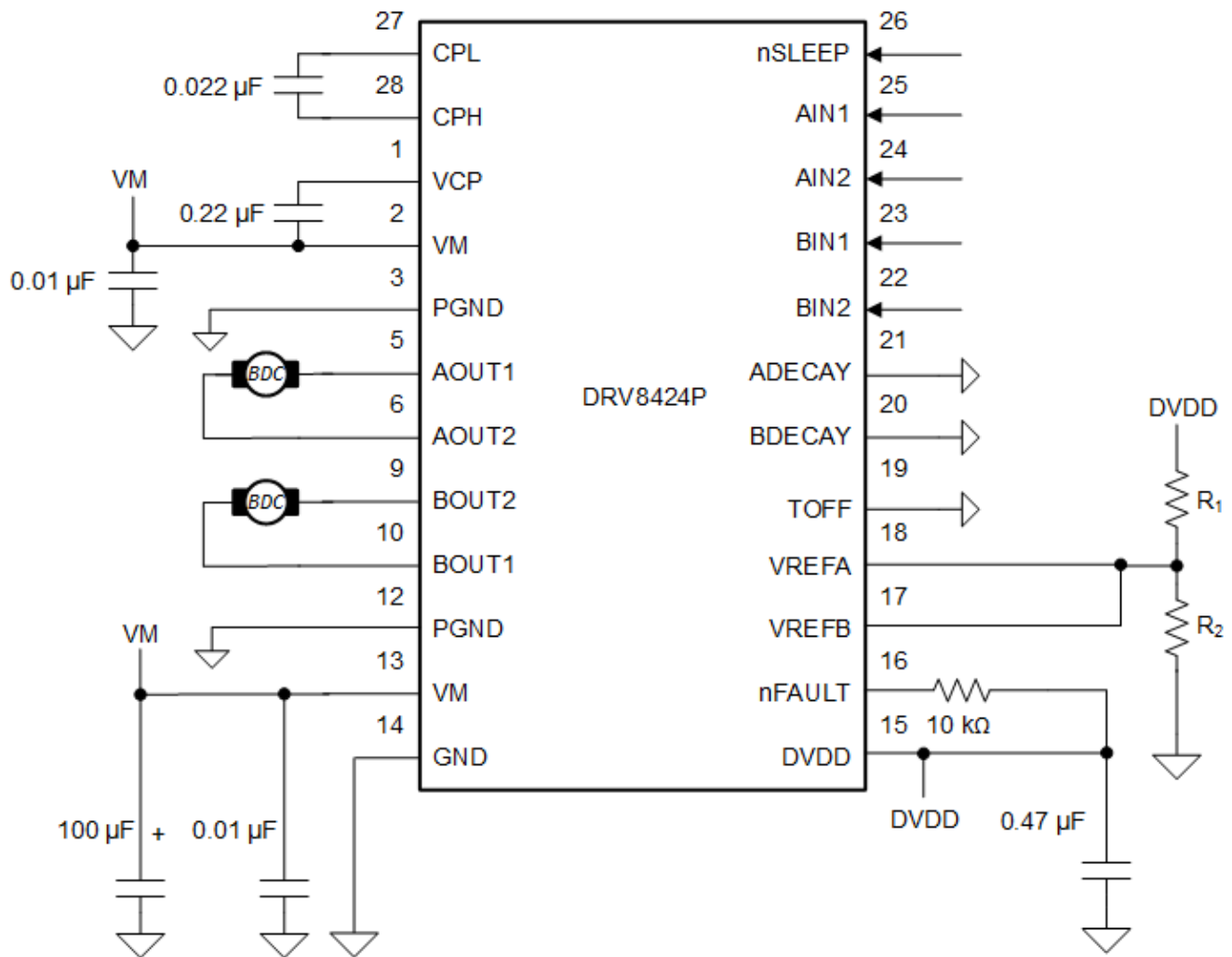


Figure 8-1. Typical Application Schematic

#### 8.2.1 Design Requirements

Table 8-1 lists the design input parameters for system design.

**Table 8-1. Design Parameters**

DESIGN PARAMETER	REFERENCE	EXAMPLE VALUE
Supply voltage	VM	24 V
Motor winding resistance	R <sub>L</sub>	1.2 Ω
Motor winding inductance	L <sub>L</sub>	2.3 mH
Switching Frequency	f <sub>PWM</sub>	30 kHz
Regulated Current for Each Motor	I <sub>REG</sub>	1.5 A

## 8.2.2 Detailed Design Procedure

### 8.2.2.1 Current Regulation

The regulated current (I<sub>REG</sub>) is set by the VREFx analog voltage. When starting a brushed-DC motor, a large inrush current may occur because there is no back-EMF. Current regulation will act to limit this inrush current and prevent high current on startup. The regulated current (I<sub>REG</sub>) can be calculated as I<sub>REG</sub> (A) = V<sub>REFx</sub> (V) / K<sub>V</sub> (V/A) = V<sub>REFx</sub> (V) / 1.32 (V/A).

### 8.2.2.2 Power Dissipation and Thermal Calculation

The output current and power dissipation capabilities of the device are heavily dependent on the PCB design and external system conditions. This section provides some guidelines for calculating these values.

Total power dissipation (P<sub>TOT</sub>) for the device is composed of three main components. These are the power MOSFET R<sub>DS(ON)</sub> (conduction) losses, the power MOSFET switching losses and the quiescent supply current dissipation. While other factors may contribute additional power losses, these other items are typically insignificant compared to the three main items.

$$P_{TOT} = P_{COND} + P_{SW} + P_Q$$

P<sub>COND</sub> for each brushed-DC motor can be calculated from the device R<sub>DS(ON)</sub> and regulated output current (I<sub>REG</sub>). Assuming same I<sub>REG</sub> for both brushed-DC motors,

$$P_{COND} = 2 \times (I_{REG})^2 \times (R_{DS(ONH)} + R_{DS(ONL)})$$

It should be noted that R<sub>DS(ON)</sub> has a strong correlation with the device temperature. A curve showing the normalized R<sub>DS(ON)</sub> with temperature can be found in the Typical Characteristics curves.

$$P_{COND} = 2 \times (1.5\text{-A})^2 \times (0.165\text{-}\Omega + 0.165\text{-}\Omega) = 1.485\text{-W}$$

P<sub>SW</sub> can be calculated from the nominal supply voltage (VM), regulated output current (I<sub>REG</sub>), switching frequency (f<sub>PWM</sub>) and the device output rise (t<sub>RISE</sub>) and fall (t<sub>FALL</sub>) time specifications.

$$P_{SW} = 2 \times (P_{SW\_RISE} + P_{SW\_FALL})$$

$$P_{SW\_RISE} = 0.5 \times VM \times I_{REG} \times t_{RISE} \times f_{PWM}$$

$$P_{SW\_FALL} = 0.5 \times VM \times I_{REG} \times t_{FALL} \times f_{PWM}$$

$$P_{SW\_RISE} = 0.5 \times 24 \text{ V} \times 1.5 \text{ A} \times 100 \text{ ns} \times 30 \text{ kHz} = 0.054 \text{ W}$$

$$P_{SW\_FALL} = 0.5 \times 24 \text{ V} \times 1.5 \text{ A} \times 100 \text{ ns} \times 30 \text{ kHz} = 0.054 \text{ W}$$

$$P_{SW} = 2 \times (0.054\text{W} + 0.054\text{W}) = 0.216 \text{ W}$$

P<sub>Q</sub> can be calculated from the nominal supply voltage (VM) and the I<sub>VM</sub> current specification.

$$P_Q = VM \times I_{VM} = 24 \text{ V} \times 5 \text{ mA} = 0.12 \text{ W}$$

The total power dissipation (P<sub>TOT</sub>) is calculated as the sum of conduction loss, switching loss and the quiescent power loss.

$$P_{TOT} = P_{COND} + P_{SW} + P_Q = 1.485\text{-W} + 0.216\text{-W} + 0.12\text{-W} = 1.821\text{-W}$$

For an ambient temperature of T<sub>A</sub> and total power dissipation (P<sub>TOT</sub>), the junction temperature (T<sub>J</sub>) is calculated as

$$T_J = T_A + (P_{TOT} \times R_{\theta JA})$$

Considering a JEDEC standard 4-layer PCB, the junction-to-ambient thermal resistance ( $R_{\theta JA}$ ) is 31 °C/W for the HTSSOP package and 40.7 °C/W for the VQFN package.

Assuming 25°C ambient temperature, the junction temperature for the HTSSOP package is calculated as -

$$T_J = 25^\circ\text{C} + (1.821\text{-W} \times 31^\circ\text{C/W}) = 81.45^\circ\text{C}$$

The junction temperature for the VQFN package is calculated as -

$$T_J = 25^\circ\text{C} + (1.821\text{-W} \times 40.7^\circ\text{C/W}) = 99.11^\circ\text{C}$$

It should be ensured that the device junction temperature is within the specified operating region.

### 8.2.3 Application Curves

CH3 = VM (10V/div), CH1 = nFAULT (3V/div), CH5 = nSLEEP (3V/div), CH7 = I<sub>REG</sub> (1.5A/div)

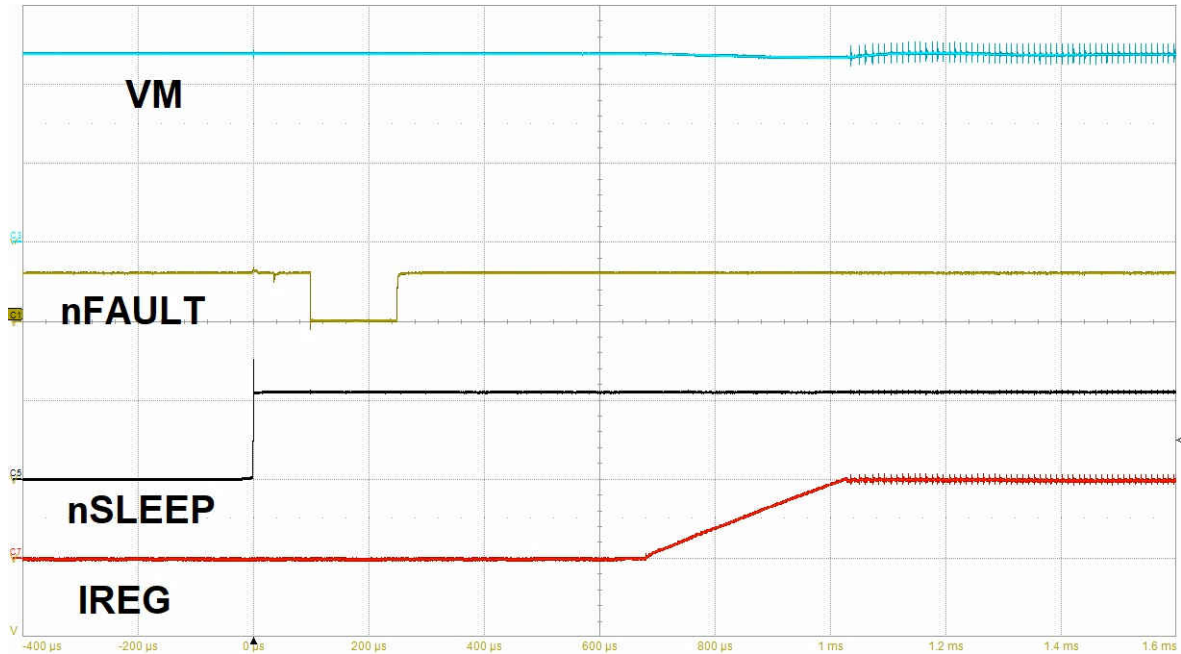


Figure 8-2. Device Power-up with nSLEEP

CH3 = VM (10V/div), CH1 = nFAULT (3V/div), CH5 = nSLEEP (3V/div), CH7 = I<sub>REG</sub> (1.5A/div)

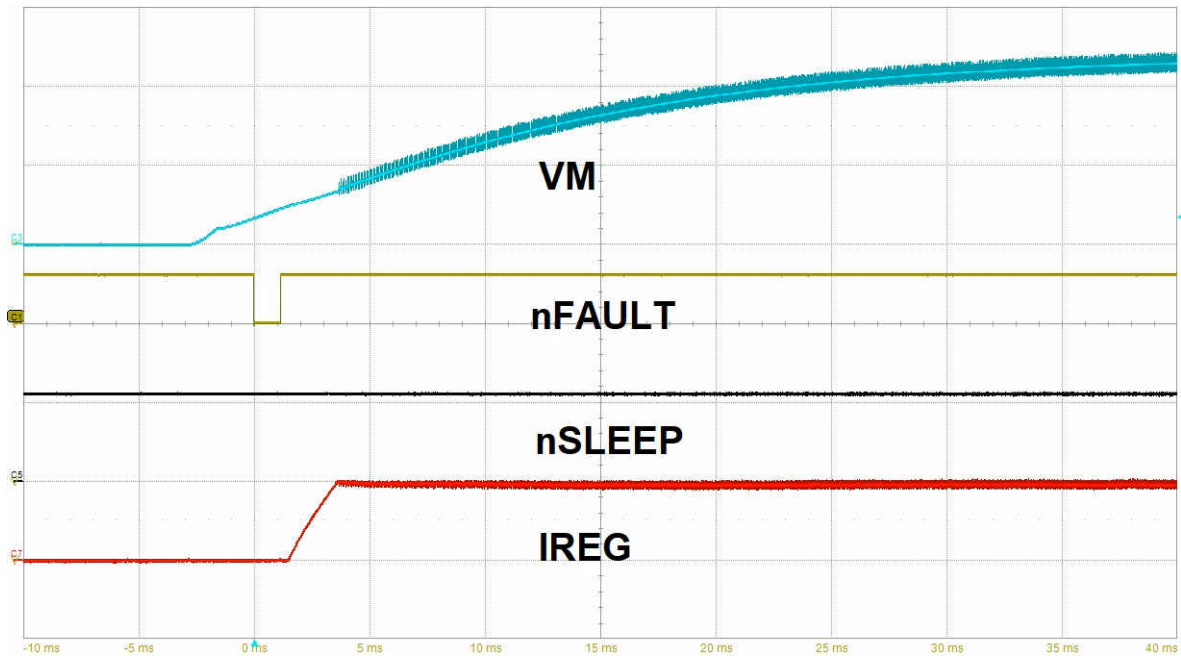
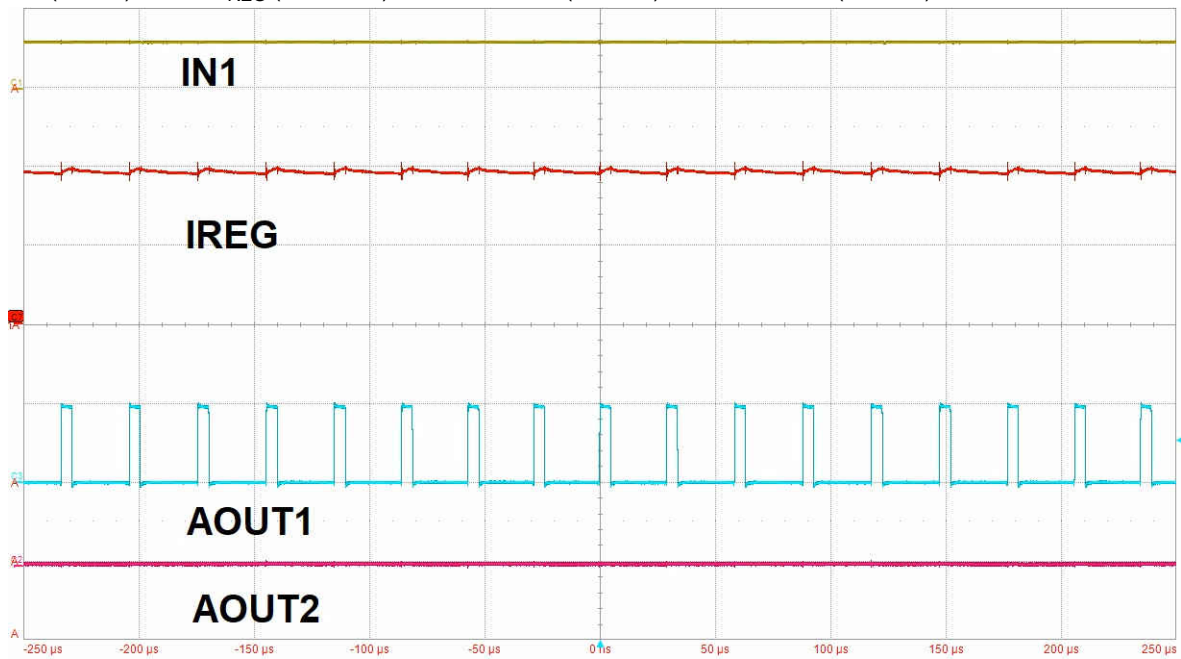


Figure 8-3. Device Power-up with Supply Voltage (VM) Ramp



CH1 = IN1 (3V/div), CH7 =  $I_{REG}$  (0.75A/div), CH3 = AOUT1 (24V/div), CH2 = AOUT2 (24V/div)



**Figure 8-4. Driver Full On Operation with Current Regulation**

### 8.3 Alternate Application

The following design procedure can be used to configure the DRV8424E/P and DRV8425E/P to drive a stepper motor.

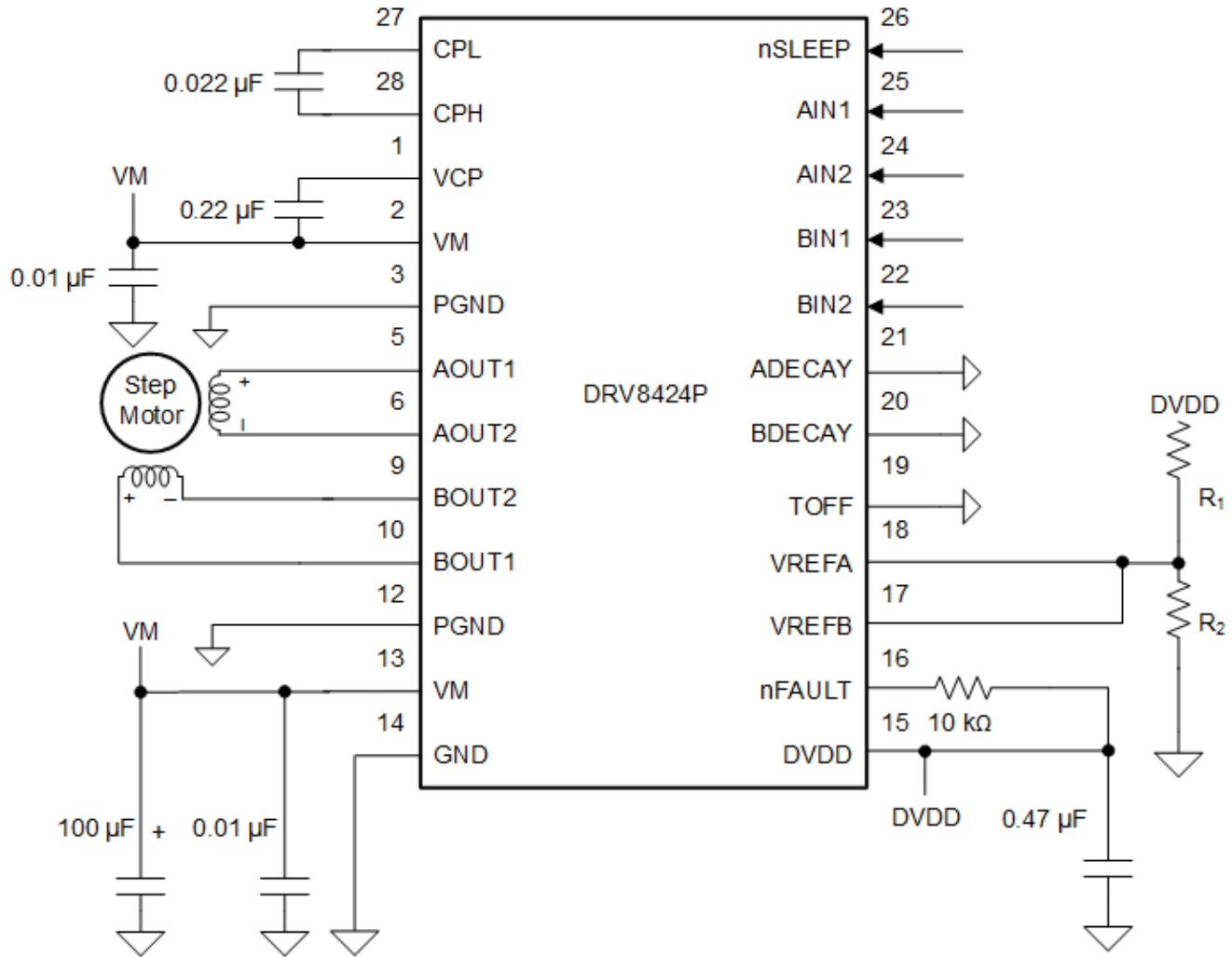


Figure 8-5. Alternate Application Schematic

#### 8.3.1 Design Requirements

Table 8-2 gives design input parameters for system design.

Table 8-2. Design Parameters

DESIGN PARAMETER	REFERENCE	EXAMPLE VALUE
Supply voltage	VM	24 V
Motor winding resistance	$R_L$	0.93 Ω/phase
Motor winding inductance	$L_L$	1.9 mH/phase
Motor Full Step Angle	$\theta_{step}$	1.8°/step
Target microstepping level	$n_m$	1/2 step
Target motor speed	v	90 rpm
Target full-scale current	$I_{FS}$	2 A

## 8.3.2 Detailed Design Procedure

### 8.3.2.1 Current Regulation

In a stepper motor, the full-scale current ( $I_{FS}$ ) is the maximum current driven through either winding. This quantity depends on the VREFx voltage. The maximum allowable voltage on the VREFx pins is 3.3 V. DVDD can be used to provide VREFx through a resistor divider.

$$I_{FS} \text{ (A)} = V_{REF} \text{ (V)} / 1.32 \text{ (V/A)}$$

---

#### Note

The  $I_{FS}$  current must also follow [Equation 1](#) to avoid saturating the motor. VM is the motor supply voltage, and  $R_L$  is the motor winding resistance.

---

$$I_{FS} \text{ (A)} < \frac{VM \text{ (V)}}{R_L \text{ (}\Omega\text{)} + 2 \times R_{DS(ON)} \text{ (}\Omega\text{)}} \quad (1)$$

### 8.3.2.2 Stepper Motor Speed

Next, the driving waveform needs to be planned. In order to command the correct speed, determine the frequency of the input waveform.

If the target motor speed is too high, the motor will not spin. Make sure that the motor can support the target speed.

For a desired motor speed ( $v$ ), microstepping level ( $n_m$ ), and motor full step angle ( $\theta_{step}$ ),

$$f_{step} \text{ (steps / s)} = \frac{v \text{ (rpm)} \times 360 \text{ (}^\circ\text{ / rot)}}{\theta_{step} \text{ (}^\circ\text{ / step)} \times n_m \text{ (steps / microstep)} \times 60 \text{ (s / min)}} \quad (2)$$

$\theta_{step}$  can be found in the stepper motor data sheet or written on the motor itself.

The frequency  $f_{step}$  gives the frequency of input change on the device. For the design parameters mentioned in [Table 8-1](#),  $f_{step}$  can be calculated as 600 Hz.

### 8.3.2.3 Decay Modes

The device supports several different decay modes: fast decay, mixed decay, and smart tune. The current through the motor windings is regulated using an adjustable fixed-time-off scheme. This means that after any drive phase, when a motor winding current has hit the current chopping threshold ( $I_{TRIP}$ ), the device will place the winding in one of the decay modes for TOFF. After TOFF, a new drive phase starts.

## 9 Power Supply Recommendations

The device is designed to operate from an input voltage supply (VM) range from 4.5 V to 33 V. A 0.01- $\mu\text{F}$  ceramic capacitor rated for VM must be placed at each VM pin as close to the device as possible. In addition, a bulk capacitor must be included on VM.

### 9.1 Bulk Capacitance

Having appropriate local bulk capacitance is an important factor in motor drive system design. It is generally beneficial to have more bulk capacitance, while the disadvantages are increased cost and physical size.

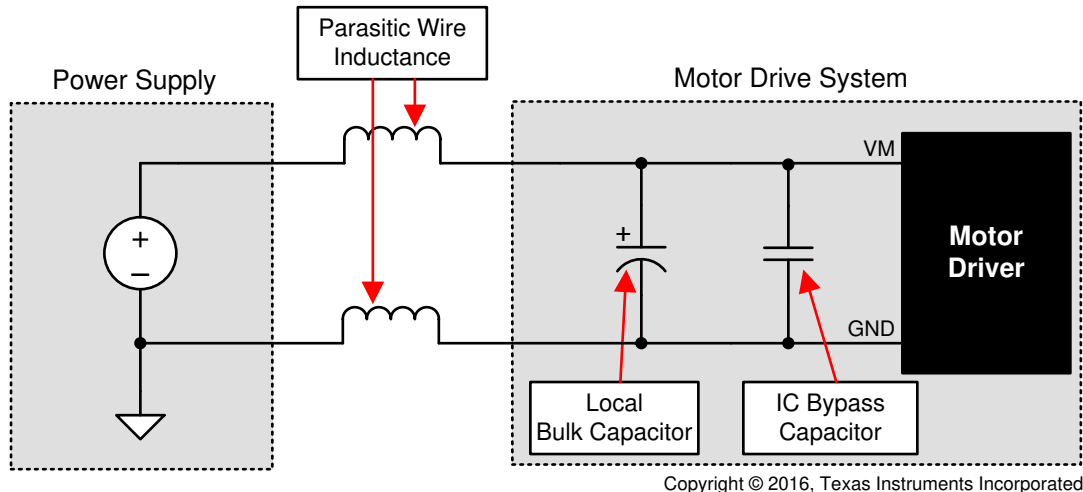
The amount of local capacitance needed depends on a variety of factors, including:

- The highest current required by the motor system
- The power supply's capacitance and ability to source current
- The amount of parasitic inductance between the power supply and motor system
- The acceptable voltage ripple
- The type of motor used (brushed DC, brushless DC, stepper)
- The motor braking method

The inductance between the power supply and motor drive system will limit the rate current can change from the power supply. If the local bulk capacitance is too small, the system will respond to excessive current demands or dumps from the motor with a change in voltage. When adequate bulk capacitance is used, the motor voltage remains stable and high current can be quickly supplied.

The data sheet generally provides a recommended value, but system-level testing is required to determine the appropriate sized bulk capacitor.

The voltage rating for bulk capacitors should be higher than the operating voltage, to provide margin for cases when the motor transfers energy to the supply.



**Figure 9-1. Example Setup of Motor Drive System With External Power Supply**

## 10 Layout

### 10.1 Layout Guidelines

The VM pin should be bypassed to PGND using a low-ESR ceramic bypass capacitor with a recommended value of 0.01  $\mu\text{F}$  rated for VM. This capacitor should be placed as close to the VM pin as possible with a thick trace or ground plane connection to the device PGND pin.

The VM pin must be bypassed to ground using a bulk capacitor rated for VM. This component can be an electrolytic capacitor.

A low-ESR ceramic capacitor must be placed in between the CPL and CPH pins. A value of 0.022  $\mu\text{F}$  rated for VM is recommended. Place this component as close to the pins as possible.

A low-ESR ceramic capacitor must be placed in between the VM and VCP pins. A value of 0.22  $\mu\text{F}$  rated for 16 V is recommended. Place this component as close to the pins as possible.

Bypass the DVDD pin to ground with a low-ESR ceramic capacitor. A value of 0.47  $\mu\text{F}$  rated for 6.3 V is recommended. Place this bypassing capacitor as close to the pin as possible.

The thermal PAD must be connected to system ground.

### 10.2 Layout Example

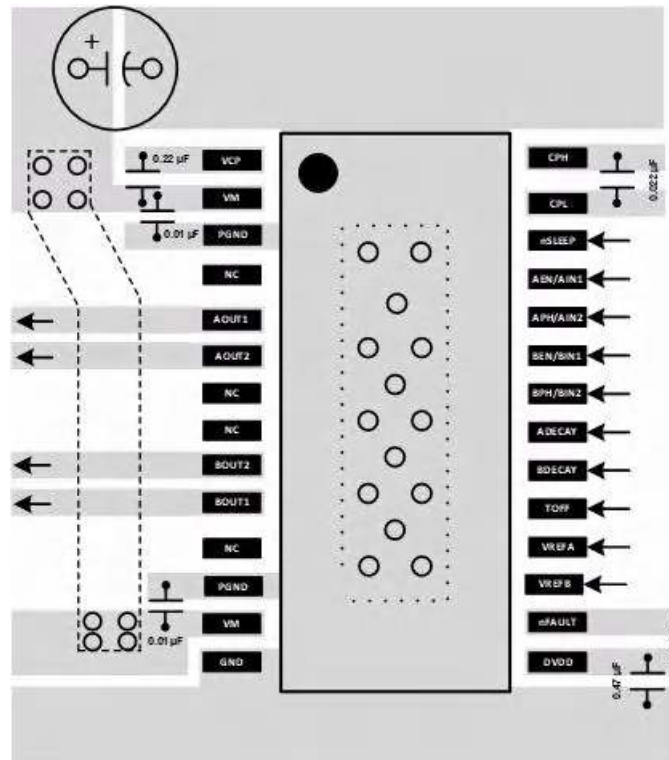


Figure 10-1. HTSSOP Layout Recommendation

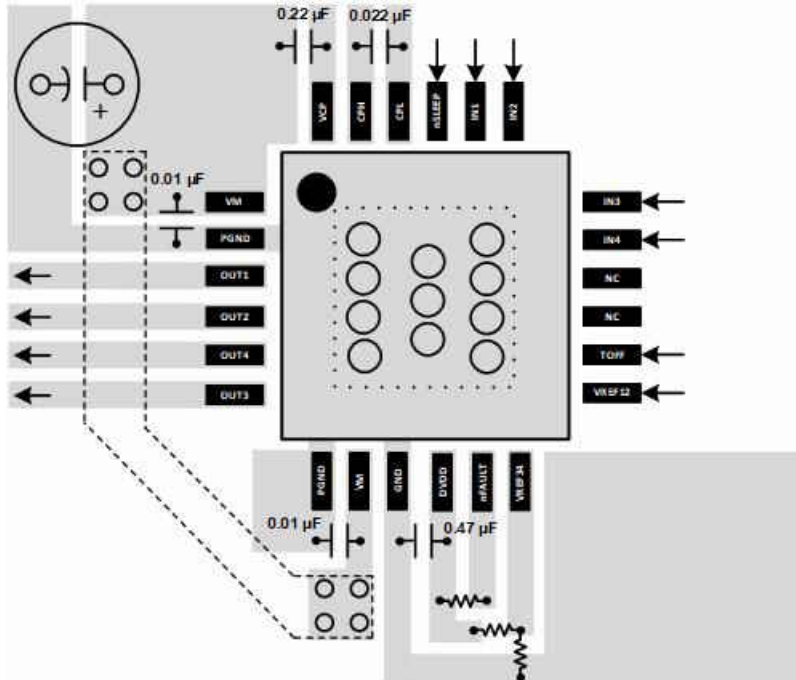


Figure 10-2. QFN Layout Recommendation

## 11 Device and Documentation Support

### 11.1 Documentation Support

#### 11.1.1 Related Documentation

For related documentation see the following:

- Texas Instruments, [PowerPAD™ Thermally Enhanced Package application report](#)
- Texas Instruments, [PowerPAD™ Made Easy application report](#)
- Texas Instruments, [Current Recirculation and Decay Modes application report](#)
- Texas Instruments, [Calculating Motor Driver Power Dissipation application report](#)
- Texas Instruments, [Understanding Motor Driver Current Ratings application report](#)
- Texas Instruments, [High Resolution Microstepping Driver With the DRV88xx Series application report](#)

#### 11.2 Related Links

The table below lists quick access links. Categories include technical documents, support and community resources, tools and software, and quick access to order now.

**Table 11-1. Related Links**

PARTS	PRODUCT FOLDER	ORDER NOW	TECHNICAL DOCUMENTS	TOOLS & SOFTWARE	SUPPORT & COMMUNITY
DRV8424E	<a href="#">Click here</a>	<a href="#">Click here</a>	<a href="#">Click here</a>	<a href="#">Click here</a>	<a href="#">Click here</a>
DRV8424P	<a href="#">Click here</a>	<a href="#">Click here</a>	<a href="#">Click here</a>	<a href="#">Click here</a>	<a href="#">Click here</a>
DRV8425E	<a href="#">Click here</a>	<a href="#">Click here</a>	<a href="#">Click here</a>	<a href="#">Click here</a>	<a href="#">Click here</a>
DRV8425P	<a href="#">Click here</a>	<a href="#">Click here</a>	<a href="#">Click here</a>	<a href="#">Click here</a>	<a href="#">Click here</a>

#### 11.3 Receiving Notification of Documentation Updates

To receive notification of documentation updates, navigate to the device product folder on ti.com. In the upper right corner, click on *Alert me* to register and receive a weekly digest of any product information that has changed. For change details, review the revision history included in any revised document.

#### 11.4 Community Resources

#### 11.5 Trademarks

All trademarks are the property of their respective owners.

## 12 Mechanical, Packaging, and Orderable Information

The following pages include mechanical, packaging, and orderable information. This information is the most current data available for the designated devices. This data is subject to change without notice and revision of this document. For browser-based versions of this data sheet, refer to the left-hand navigation.



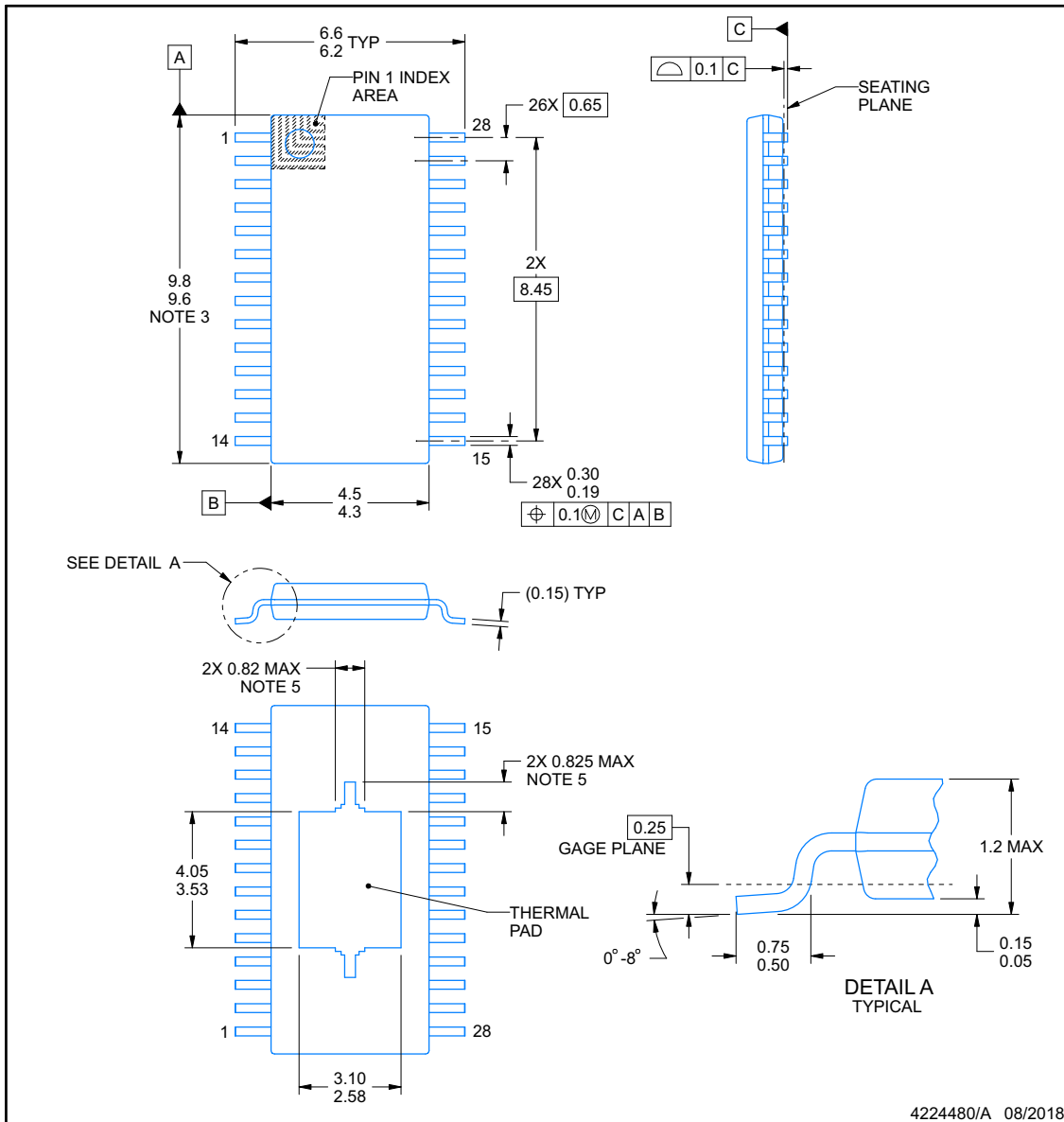
**PACKAGE OUTLINE**

**PWP0028M**



**PowerPAD™ TSSOP - 1.2 mm max height**

SMALL OUTLINE PACKAGE



4224480/A 08/2018

**NOTES:**

PowerPAD is a trademark of Texas Instruments.

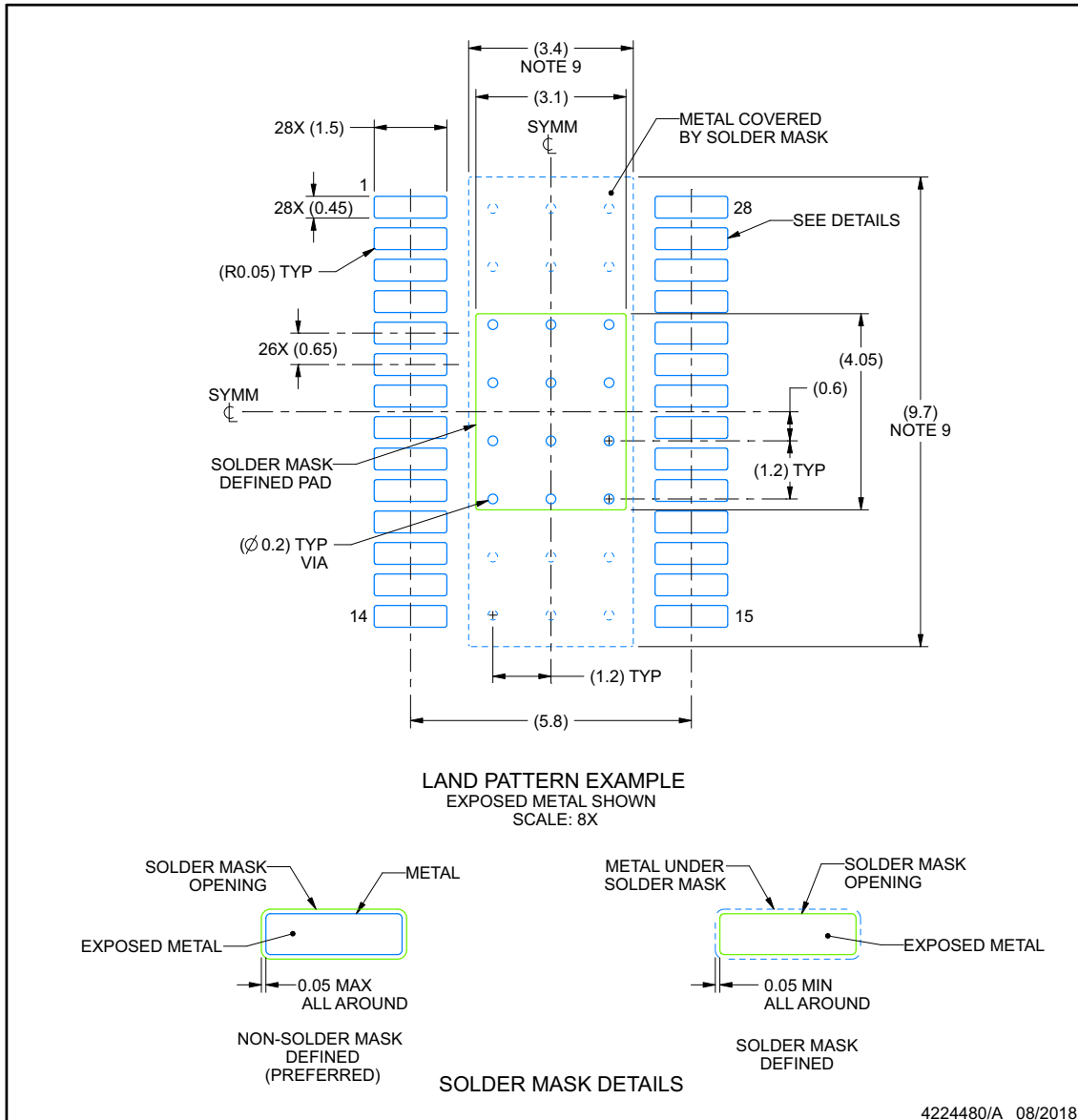
1. All linear dimensions are in millimeters. Any dimensions in parenthesis are for reference only. Dimensioning and tolerancing per ASME Y14.5M.
2. This drawing is subject to change without notice.
3. This dimension does not include mold flash, protrusions, or gate burrs. Mold flash, protrusions, or gate burrs shall not exceed 0.15 mm per side.
4. Reference JEDEC registration MO-153.
5. Features may differ or may not be present.

## EXAMPLE BOARD LAYOUT

**PWP0028M**

**PowerPAD™ TSSOP - 1.2 mm max height**

SMALL OUTLINE PACKAGE



NOTES: (continued)

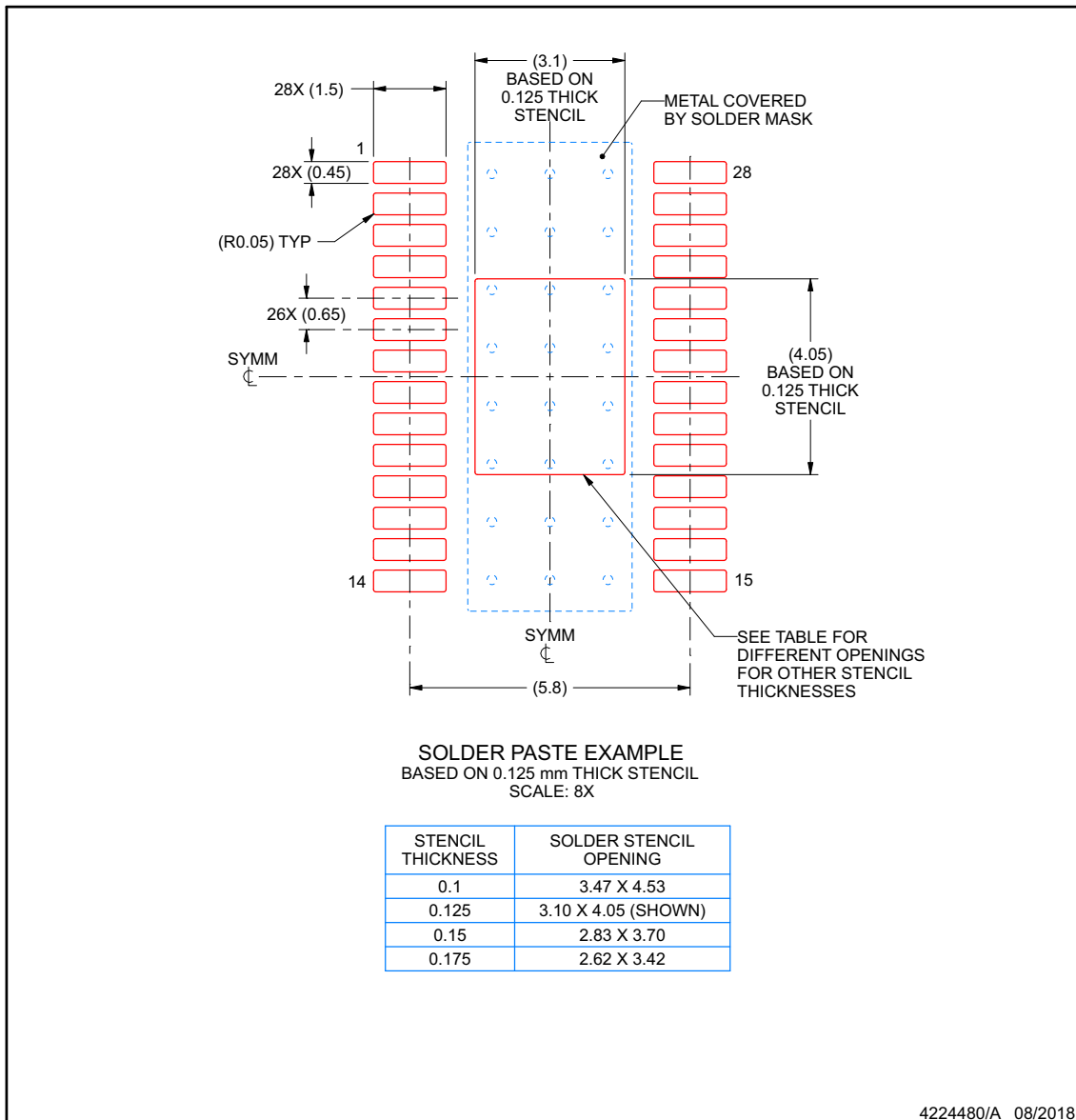
6. Publication IPC-7351 may have alternate designs.
7. Solder mask tolerances between and around signal pads can vary based on board fabrication site.
8. This package is designed to be soldered to a thermal pad on the board. For more information, see Texas Instruments literature numbers SLMA002 ([www.ti.com/lit/slma002](http://www.ti.com/lit/slma002)) and SLMA004 ([www.ti.com/lit/slma004](http://www.ti.com/lit/slma004)).
9. Size of metal pad may vary due to creepage requirement.
10. Vias are optional depending on application, refer to device data sheet. It is recommended that vias under paste be filled, plugged or tented.

## EXAMPLE STENCIL DESIGN

**PWP0028M**

**PowerPAD™ TSSOP - 1.2 mm max height**

SMALL OUTLINE PACKAGE



NOTES: (continued)

11. Laser cutting apertures with trapezoidal walls and rounded corners may offer better paste release. IPC-7525 may have alternate design recommendations.
12. Board assembly site may have different recommendations for stencil design.

**PACKAGING INFORMATION**

Orderable Device	Status (1)	Package Type	Package Drawing	Pins	Package Qty	Eco Plan (2)	Lead finish/ Ball material (6)	MSL Peak Temp (3)	Op Temp (°C)	Device Marking (4/5)	Samples
DRV8424EPWPR	ACTIVE	HTSSOP	PWP	28	2500	RoHS & Green	NIPDAU	Level-3-260C-168 HR	-40 to 125	DRV8424E	<a href="#">Samples</a>
DRV8424ERGER	ACTIVE	VQFN	RGE	24	3000	RoHS & Green	NIPDAU	Level-1-260C-UNLIM	-40 to 125	DRV 8424E	<a href="#">Samples</a>
DRV8424PPWPR	ACTIVE	HTSSOP	PWP	28	2500	RoHS & Green	NIPDAU	Level-3-260C-168 HR	-40 to 125	DRV8424P	<a href="#">Samples</a>
DRV8424PRGER	ACTIVE	VQFN	RGE	24	3000	RoHS & Green	NIPDAU	Level-1-260C-UNLIM	-40 to 125	DRV 8424P	<a href="#">Samples</a>
DRV8425EPWPR	ACTIVE	HTSSOP	PWP	28	2500	RoHS & Green	NIPDAU	Level-3-260C-168 HR	-40 to 125	DRV8425E	<a href="#">Samples</a>
DRV8425ERGER	ACTIVE	VQFN	RGE	24	3000	RoHS & Green	NIPDAU	Level-1-260C-UNLIM	-40 to 125	DRV 8425E	<a href="#">Samples</a>
DRV8425PPWPR	ACTIVE	HTSSOP	PWP	28	2500	RoHS & Green	NIPDAU	Level-3-260C-168 HR	-40 to 125	DRV8425P	<a href="#">Samples</a>
DRV8425PRGER	ACTIVE	VQFN	RGE	24	3000	RoHS & Green	NIPDAU	Level-1-260C-UNLIM	-40 to 125	DRV 8425P	<a href="#">Samples</a>

(1) The marketing status values are defined as follows:

**ACTIVE:** Product device recommended for new designs.

**LIFEBUY:** TI has announced that the device will be discontinued, and a lifetime-buy period is in effect.

**NRND:** Not recommended for new designs. Device is in production to support existing customers, but TI does not recommend using this part in a new design.

**PREVIEW:** Device has been announced but is not in production. Samples may or may not be available.

**OBSOLETE:** TI has discontinued the production of the device.

(2) **RoHS:** TI defines "RoHS" to mean semiconductor products that are compliant with the current EU RoHS requirements for all 10 RoHS substances, including the requirement that RoHS substance do not exceed 0.1% by weight in homogeneous materials. Where designed to be soldered at high temperatures, "RoHS" products are suitable for use in specified lead-free processes. TI may reference these types of products as "Pb-Free".

**RoHS Exempt:** TI defines "RoHS Exempt" to mean products that contain lead but are compliant with EU RoHS pursuant to a specific EU RoHS exemption.

**Green:** TI defines "Green" to mean the content of Chlorine (Cl) and Bromine (Br) based flame retardants meet JS709B low halogen requirements of <=1000ppm threshold. Antimony trioxide based flame retardants must also meet the <=1000ppm threshold requirement.

(3) MSL, Peak Temp. - The Moisture Sensitivity Level rating according to the JEDEC industry standard classifications, and peak solder temperature.

(4) There may be additional marking, which relates to the logo, the lot trace code information, or the environmental category on the device.

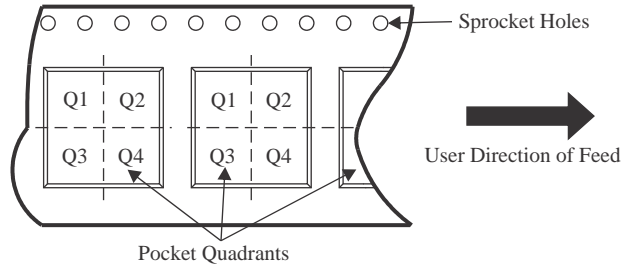
<sup>(5)</sup> Multiple Device Markings will be inside parentheses. Only one Device Marking contained in parentheses and separated by a "~" will appear on a device. If a line is indented then it is a continuation of the previous line and the two combined represent the entire Device Marking for that device.

<sup>(6)</sup> Lead finish/Ball material - Orderable Devices may have multiple material finish options. Finish options are separated by a vertical ruled line. Lead finish/Ball material values may wrap to two lines if the finish value exceeds the maximum column width.

**Important Information and Disclaimer:**The information provided on this page represents TI's knowledge and belief as of the date that it is provided. TI bases its knowledge and belief on information provided by third parties, and makes no representation or warranty as to the accuracy of such information. Efforts are underway to better integrate information from third parties. TI has taken and continues to take reasonable steps to provide representative and accurate information but may not have conducted destructive testing or chemical analysis on incoming materials and chemicals. TI and TI suppliers consider certain information to be proprietary, and thus CAS numbers and other limited information may not be available for release.

In no event shall TI's liability arising out of such information exceed the total purchase price of the TI part(s) at issue in this document sold by TI to Customer on an annual basis.

**TAPE AND REEL INFORMATION**

**QUADRANT ASSIGNMENTS FOR PIN 1 ORIENTATION IN TAPE**


\*All dimensions are nominal

Device	Package Type	Package Drawing	Pins	SPQ	Reel Diameter (mm)	Reel Width W1 (mm)	A0 (mm)	B0 (mm)	K0 (mm)	P1 (mm)	W (mm)	Pin1 Quadrant
DRV8424EPWPR	HTSSOP	PWP	28	2500	330.0	16.4	6.9	10.2	1.8	12.0	16.0	Q1
DRV8424ERGER	VQFN	RGE	24	3000	330.0	12.4	4.25	4.25	1.15	8.0	12.0	Q2
DRV8424PPWPR	HTSSOP	PWP	28	2500	330.0	16.4	6.9	10.2	1.8	12.0	16.0	Q1
DRV8424PRGER	VQFN	RGE	24	3000	330.0	12.4	4.25	4.25	1.15	8.0	12.0	Q2
DRV8425EPWPR	HTSSOP	PWP	28	2500	330.0	16.4	6.9	10.2	1.8	12.0	16.0	Q1
DRV8425ERGER	VQFN	RGE	24	3000	330.0	12.4	4.25	4.25	1.15	8.0	12.0	Q2
DRV8425PPWPR	HTSSOP	PWP	28	2500	330.0	16.4	6.9	10.2	1.8	12.0	16.0	Q1
DRV8425PRGER	VQFN	RGE	24	3000	330.0	12.4	4.25	4.25	1.15	8.0	12.0	Q2

**TAPE AND REEL BOX DIMENSIONS**


\*All dimensions are nominal

Device	Package Type	Package Drawing	Pins	SPQ	Length (mm)	Width (mm)	Height (mm)
DRV8424EPWPR	HTSSOP	PWP	28	2500	356.0	356.0	35.0
DRV8424ERGER	VQFN	RGE	24	3000	367.0	367.0	35.0
DRV8424PPWPR	HTSSOP	PWP	28	2500	356.0	356.0	35.0
DRV8424PRGER	VQFN	RGE	24	3000	367.0	367.0	35.0
DRV8425EPWPR	HTSSOP	PWP	28	2500	356.0	356.0	35.0
DRV8425ERGER	VQFN	RGE	24	3000	367.0	367.0	35.0
DRV8425PPWPR	HTSSOP	PWP	28	2500	356.0	356.0	35.0
DRV8425PRGER	VQFN	RGE	24	3000	367.0	367.0	35.0

## GENERIC PACKAGE VIEW

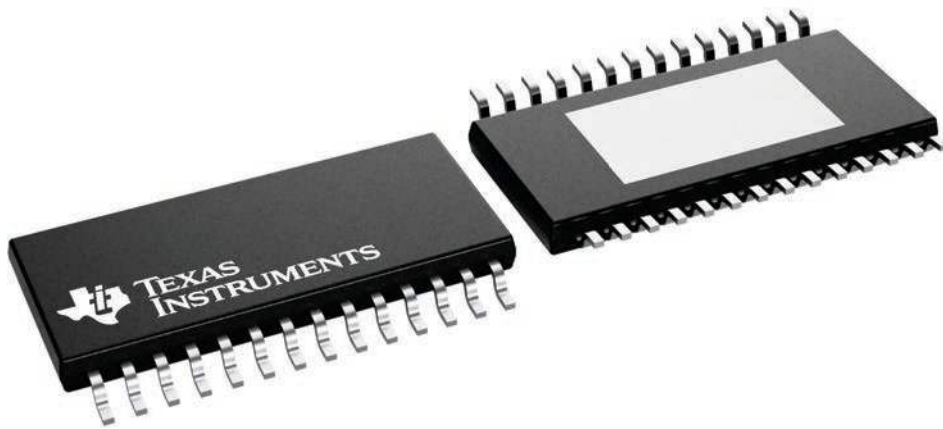
**PWP 28**

**PowerPAD™ TSSOP - 1.2 mm max height**

4.4 x 9.7, 0.65 mm pitch

SMALL OUTLINE PACKAGE

This image is a representation of the package family, actual package may vary.  
Refer to the product data sheet for package details.



4224765/B

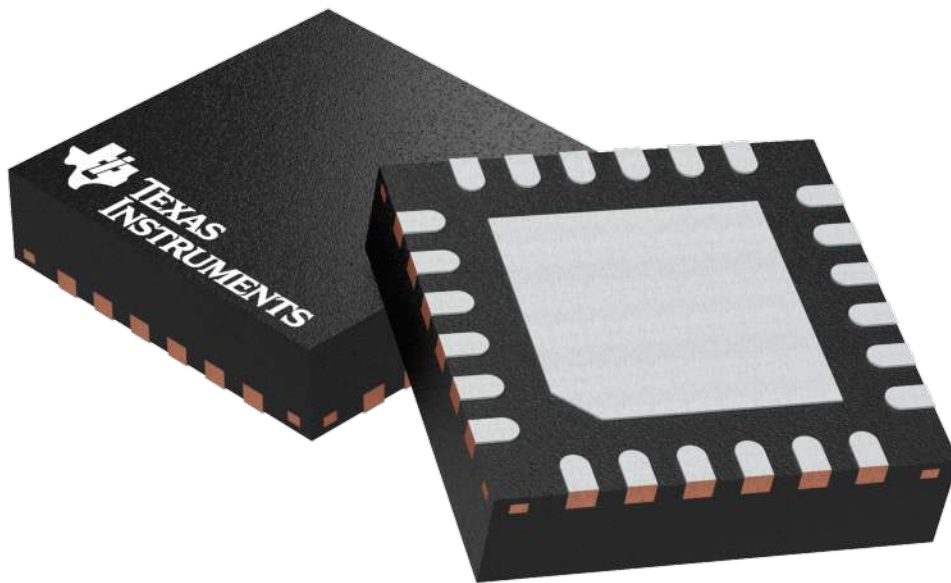


**RGE 24**

**GENERIC PACKAGE VIEW**

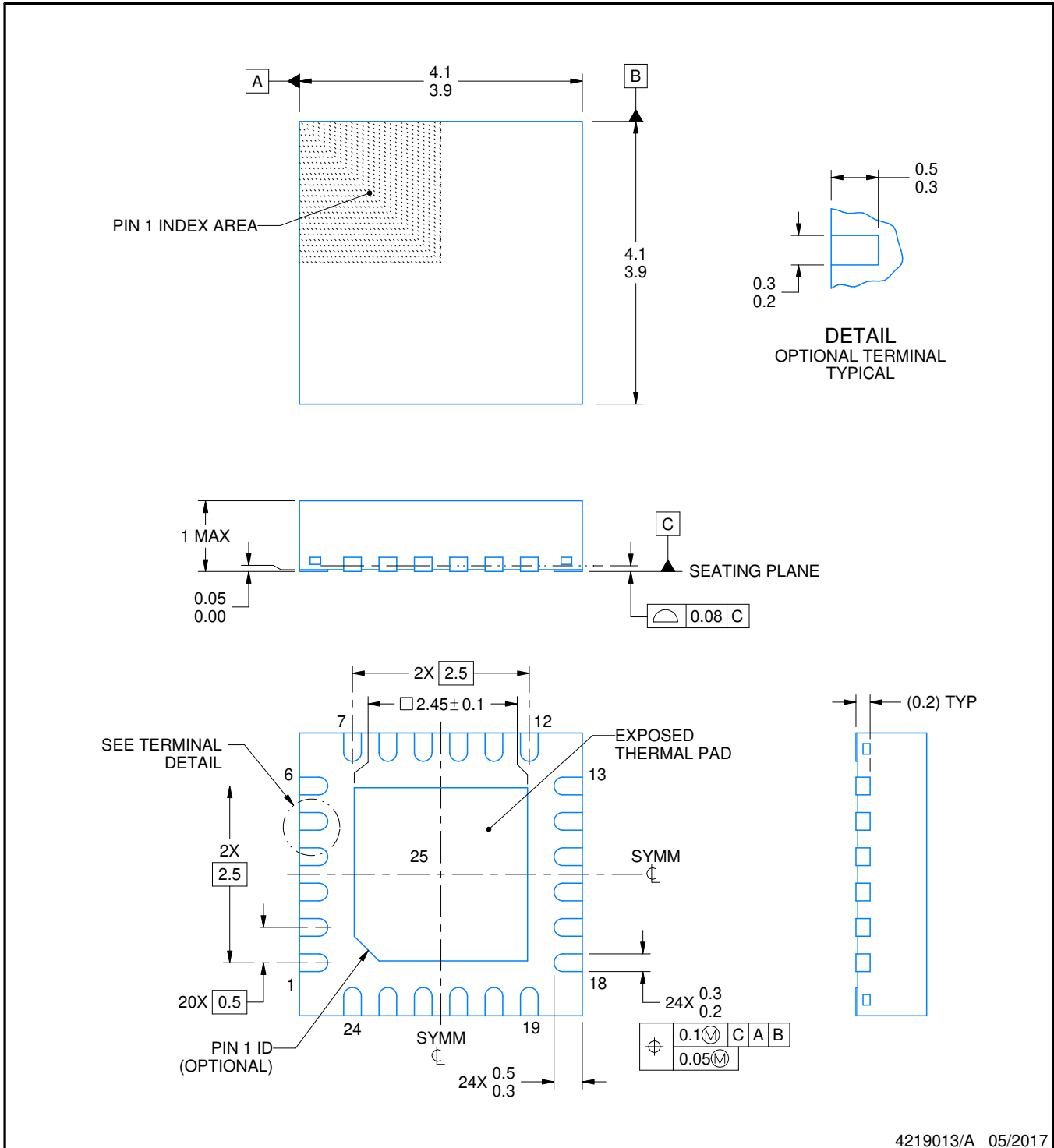
**VQFN - 1 mm max height**

PLASTIC QUAD FLATPACK - NO LEAD



Images above are just a representation of the package family, actual package may vary.  
Refer to the product data sheet for package details.

4204104/H



NOTES:

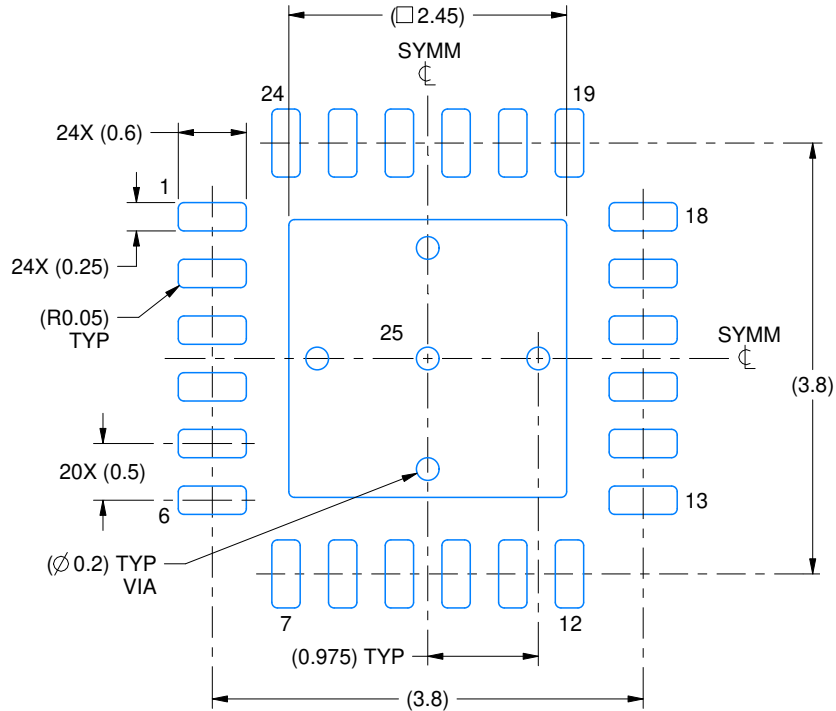
1. All linear dimensions are in millimeters. Any dimensions in parenthesis are for reference only. Dimensioning and tolerancing per ASME Y14.5M.
2. This drawing is subject to change without notice.
3. The package thermal pad must be soldered to the printed circuit board for thermal and mechanical performance.

# EXAMPLE BOARD LAYOUT

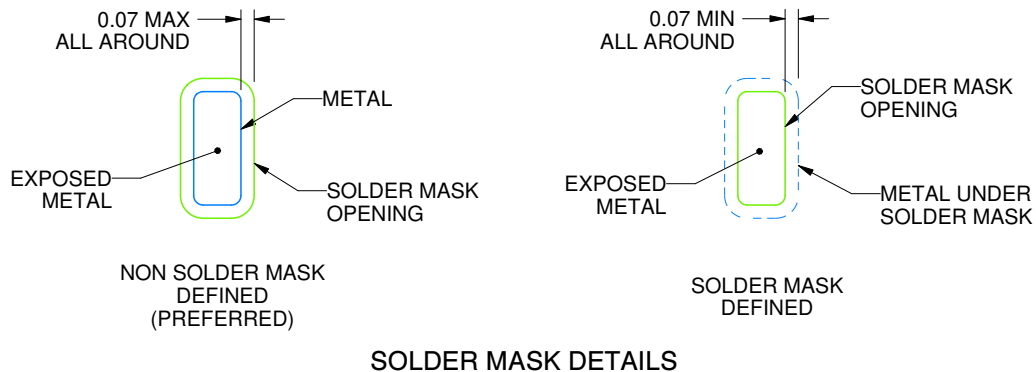
RGE0024B

VQFN - 1 mm max height

PLASTIC QUAD FLATPACK - NO LEAD



LAND PATTERN EXAMPLE  
EXPOSED METAL SHOWN  
SCALE:15X



SOLDER MASK DETAILS

4219013/A 05/2017

NOTES: (continued)

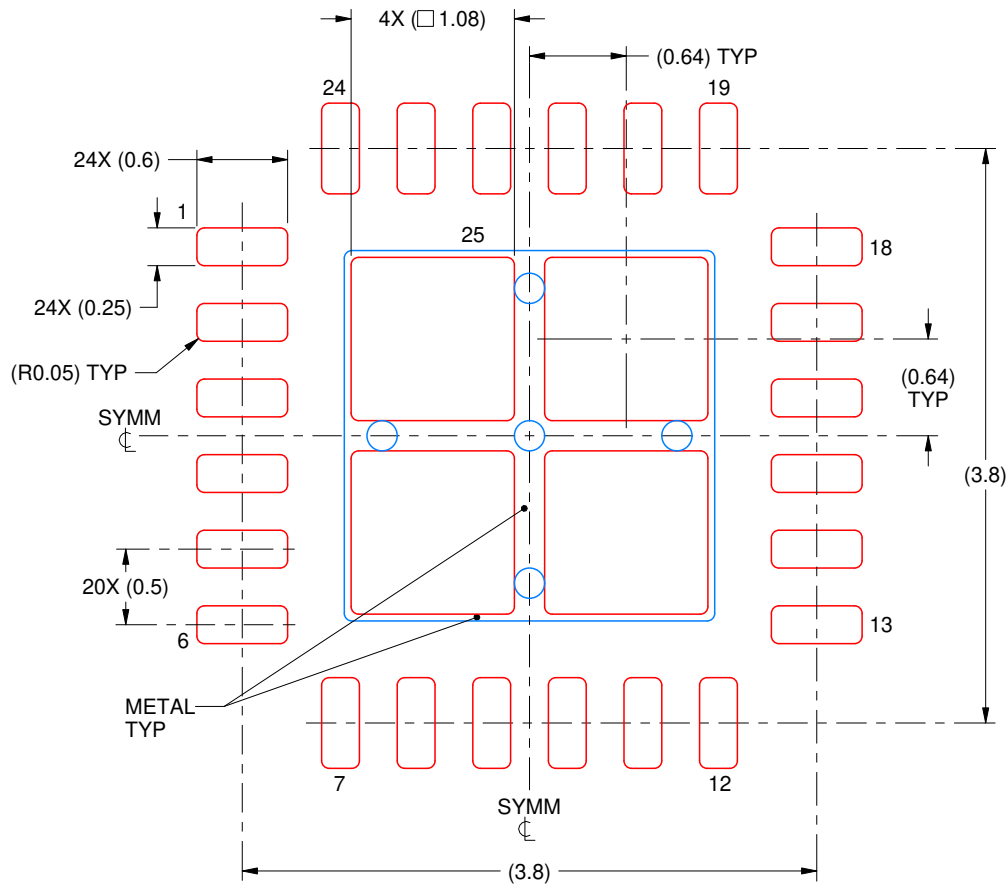
- This package is designed to be soldered to a thermal pad on the board. For more information, see Texas Instruments literature number SLUA271 ([www.ti.com/lit/slua271](http://www.ti.com/lit/slua271)).
- Vias are optional depending on application, refer to device data sheet. If any vias are implemented, refer to their locations shown on this view. It is recommended that vias under paste be filled, plugged or tented.

# EXAMPLE STENCIL DESIGN

RGE0024B

VQFN - 1 mm max height

PLASTIC QUAD FLATPACK - NO LEAD



SOLDER PASTE EXAMPLE  
BASED ON 0.125 mm THICK STENCIL

EXPOSED PAD 25  
78% PRINTED SOLDER COVERAGE BY AREA UNDER PACKAGE  
SCALE:20X

4219013/A 05/2017

NOTES: (continued)

6. Laser cutting apertures with trapezoidal walls and rounded corners may offer better paste release. IPC-7525 may have alternate design recommendations.

## IMPORTANT NOTICE AND DISCLAIMER

TI PROVIDES TECHNICAL AND RELIABILITY DATA (INCLUDING DATA SHEETS), DESIGN RESOURCES (INCLUDING REFERENCE DESIGNS), APPLICATION OR OTHER DESIGN ADVICE, WEB TOOLS, SAFETY INFORMATION, AND OTHER RESOURCES "AS IS" AND WITH ALL FAULTS, AND DISCLAIMS ALL WARRANTIES, EXPRESS AND IMPLIED, INCLUDING WITHOUT LIMITATION ANY IMPLIED WARRANTIES OF MERCHANTABILITY, FITNESS FOR A PARTICULAR PURPOSE OR NON-INFRINGEMENT OF THIRD PARTY INTELLECTUAL PROPERTY RIGHTS.

These resources are intended for skilled developers designing with TI products. You are solely responsible for (1) selecting the appropriate TI products for your application, (2) designing, validating and testing your application, and (3) ensuring your application meets applicable standards, and any other safety, security, regulatory or other requirements.

These resources are subject to change without notice. TI grants you permission to use these resources only for development of an application that uses the TI products described in the resource. Other reproduction and display of these resources is prohibited. No license is granted to any other TI intellectual property right or to any third party intellectual property right. TI disclaims responsibility for, and you will fully indemnify TI and its representatives against, any claims, damages, costs, losses, and liabilities arising out of your use of these resources.

TI's products are provided subject to [TI's Terms of Sale](#) or other applicable terms available either on [ti.com](https://www.ti.com) or provided in conjunction with such TI products. TI's provision of these resources does not expand or otherwise alter TI's applicable warranties or warranty disclaimers for TI products.

TI objects to and rejects any additional or different terms you may have proposed.

Mailing Address: Texas Instruments, Post Office Box 655303, Dallas, Texas 75265  
Copyright © 2023, Texas Instruments Incorporated