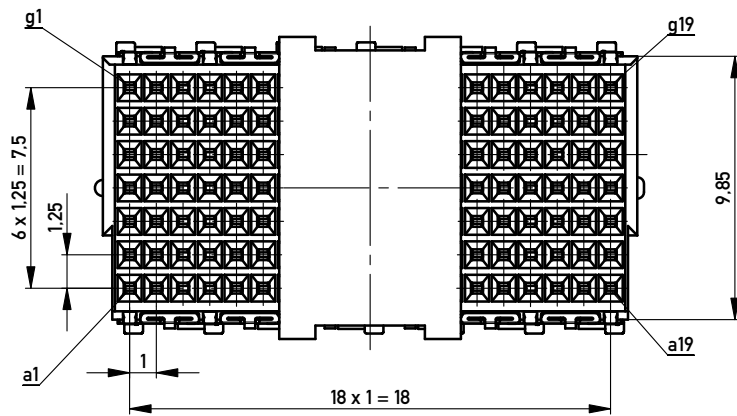
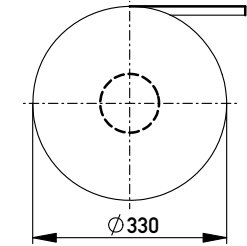
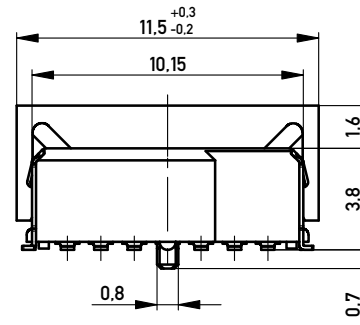
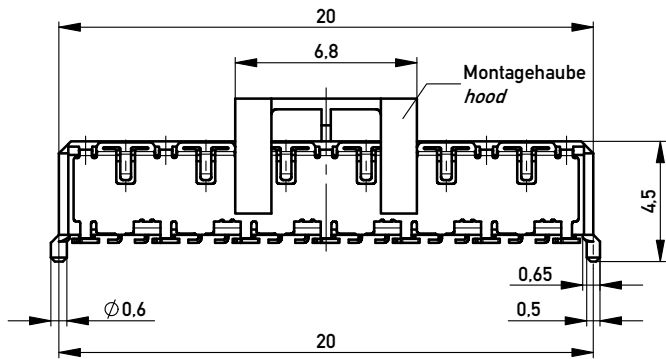
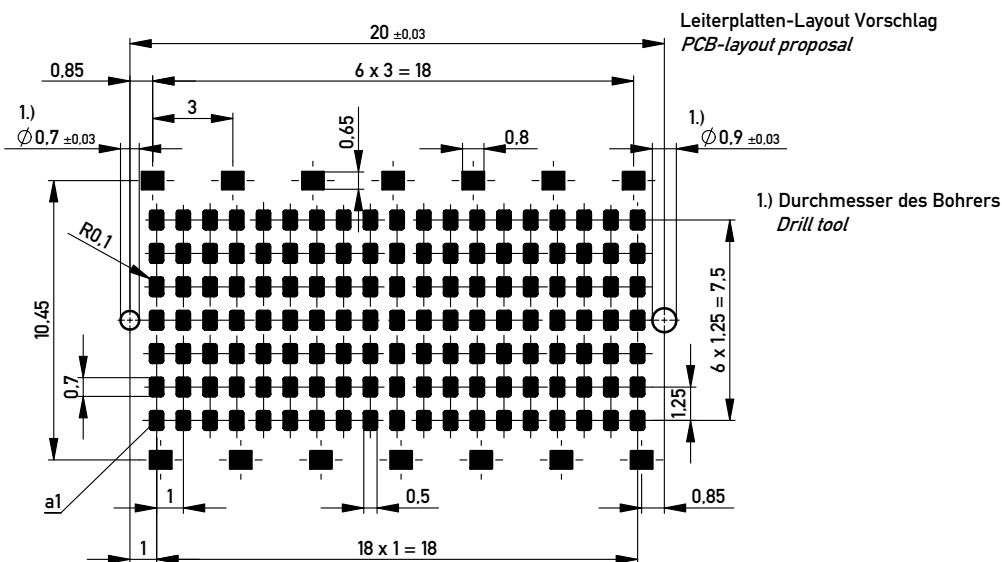
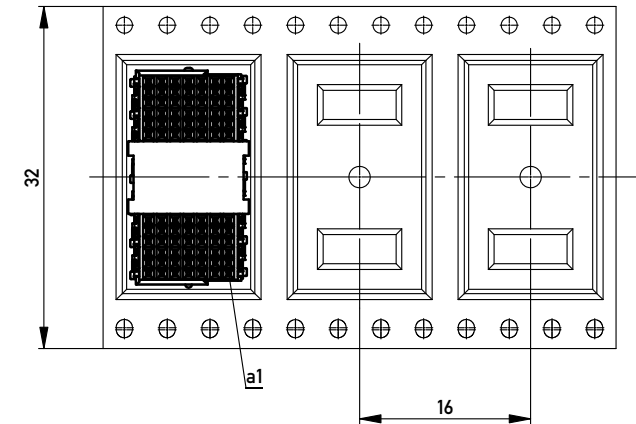


Verpackt in Gurtverpackung
 Tape on Reel Packaging
 Verpackungseinheit: 440 Stück
 Packaging unit: 440 pcs



Abspulrichtung - Reel off Direction



Anforderungsstufe 1
 Performance Level 1

Kontaktbereich vergoldet
 Mating Area gold plating

Anschlussbereich verzinkt 4-6 µm
 Terminal Area 4-6 µm tin plating

Koplanarität der Anschlüsse ≤ 0,1 mm
 Coplanarity Area of Termination ≤ 0,1 mm

Information:		Tolerances		Scale	5:1
All rights reserved. Only for Information. To ensure that this is the latest version of this drawing, please contact one of the ERNI companies before using.		All Dimensions in mm		Designation	
Subject to modification without prior notice. Drawing will not be updated.				Federleiste SMD, 133-polig Female Con. SMD, 133 contacts	
www.ERNI.com		214352		I A3	
e	18.02.2013	Date		Class MSPEED	

Copyright by ERNI GmbH
 Proprietary notice pursuant to ISO 9006 to be observed.