

NOTES:

1. MATERIALS AND FINISHES:
 BODY & CONTACT - BeCu, GOLD PLATING
 INSULATOR - PTFE, NATURAL

2. ELECTRICAL:
 A. IMPEDANCE: 50 OHM
 B. FREQUENCY RANGE: DC - 65 GHz
 C. VSWR (RETURN LOSS) AT AXIAL FLOAT POSITIONS:
 DC-18GHz: 1.20(-21dB) +0", TYPICAL
 1.25(-19dB) +.005"[0.13]
 1.34(-17dB) +.010"[0.25]
 18-50GHz: 1.33(-17dB) +0", TYPICAL
 D. DIELECTRIC WITHSTANDING VOLTAGE: 500 VRMS, MIN.

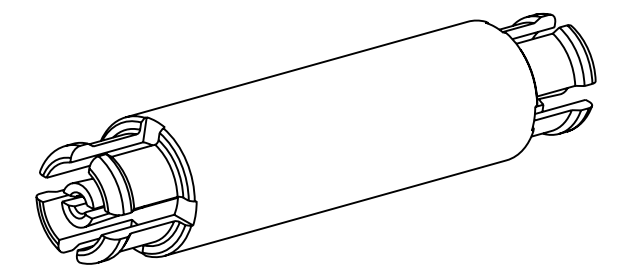
3. MECHANICAL:
 A. DURABILITY: 100 MATING CYCLES MIN. WHEN MATED WITH FULL DETENT JACK
 1000 MATING CYCLES MIN. WHEN MATED WITH SMOOTH BORE JACK
 B. TEMPERATURE RANGE: -65°C TO 165°C

4. PACKAGING:
 A. QUANTITY: 50 PIECES TRAYS
 B. MARKING: BAG TO BE MARKED
 "AMPHENOL RF, 925-166A-51S, AND DATE CODE"

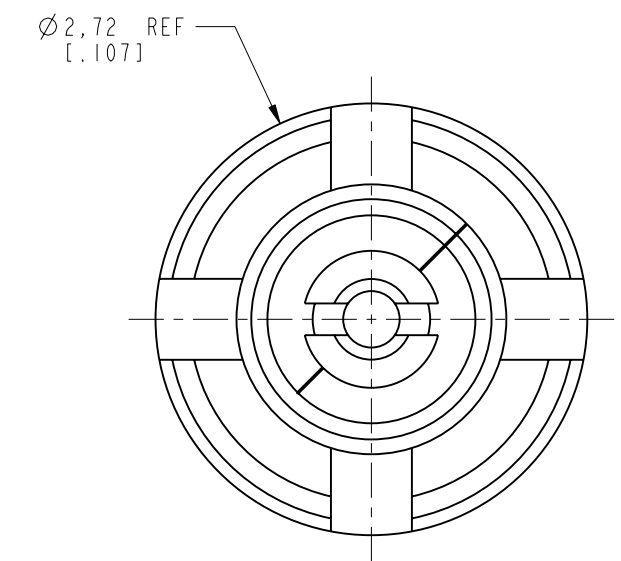
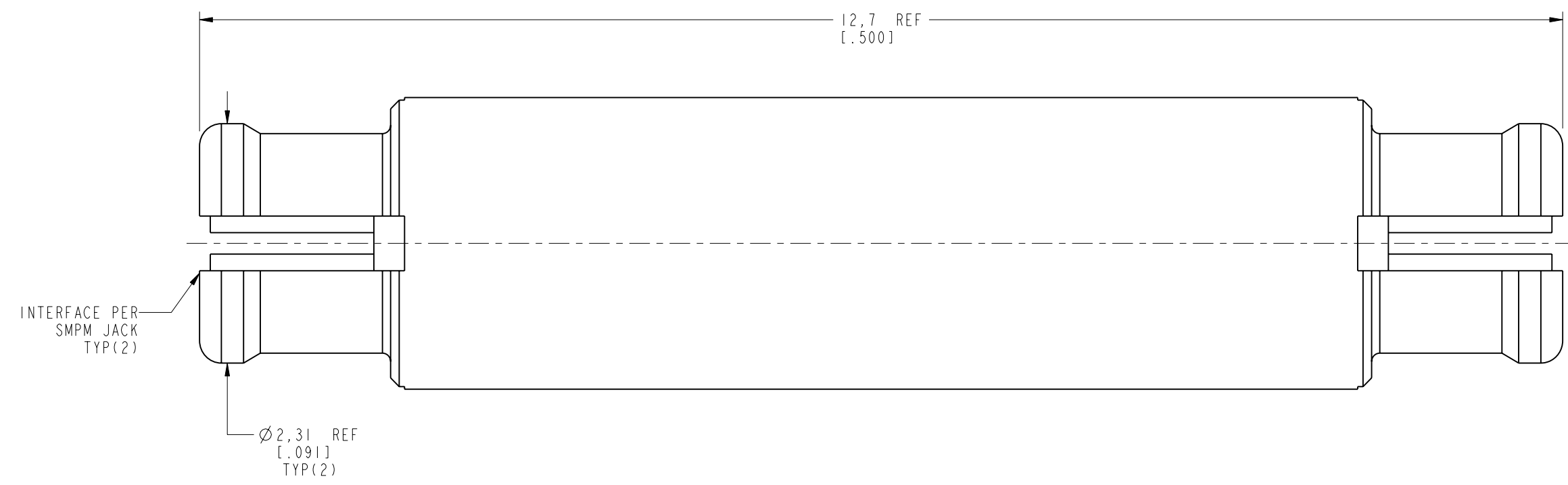
THIRD ANGLE PROJ.

REVISIONS

REV	DESCRIPTION	DATE	ECO	APPR
A	RELEASE TO MFG.	31-May-18	08241	BMG



SCALE 7.000



CUSTOMER OUTLINE DRAWING
 ALL OTHER SHEETS ARE FOR INTERNAL USE ONLY

UNLESS OTHERWISE SPECIFIED, DIMENSIONS ARE IN METRIC AND TOLERANCES ARE: <0.5mm ±0.05mm 0.5 - 6mm ±0.1mm 6 - 30mm ±0.2mm 30 - 120mm ±0.3mm ANGLES ±1° NOTICE - These drawings, specifications, or other data (1) are, and remain the property of Amphenol corp. (2) must be returned upon request; and (3) are confidential and not to be disclosed to any person other than those to whom they are given by Amphenol Corp. the furnishing of these drawings, specifications, or other data by Amphenol Corp., or to any other person to anyone for any purpose is not to be regarded by implication or otherwise in any manner licensing, granting rights to permitting such holder or any other person to manufacture, use or sell any product, process or design, patented or otherwise, that may in any way be related to or disclosed by said drawings, specifications, or other data.	MATERIAL	DRAWN	DATE	TITLE SMPM STR BULLET JACK TO JACK ASSEMBLY 0.500" LONG SCALE: 21.0:1.0 SHEET 2 OF 2 DWG SIZE B REV A	Amphenol RF www.amphenolrf.com DRAWING NO. 925-166A-51S ITEM NO. 925-166A-51S PART NO. 925-166A-51S
	SEE NOTES	W. ZENG	11-Jun-18		
	REFERENCE 7572 AND CONFIGURATION LEVEL: In Work	ENGINEER SUNDE	DATE 11-Jun-18		
	FINISH	APPROVED S. HSIEH	DATE 11-Jun-18		