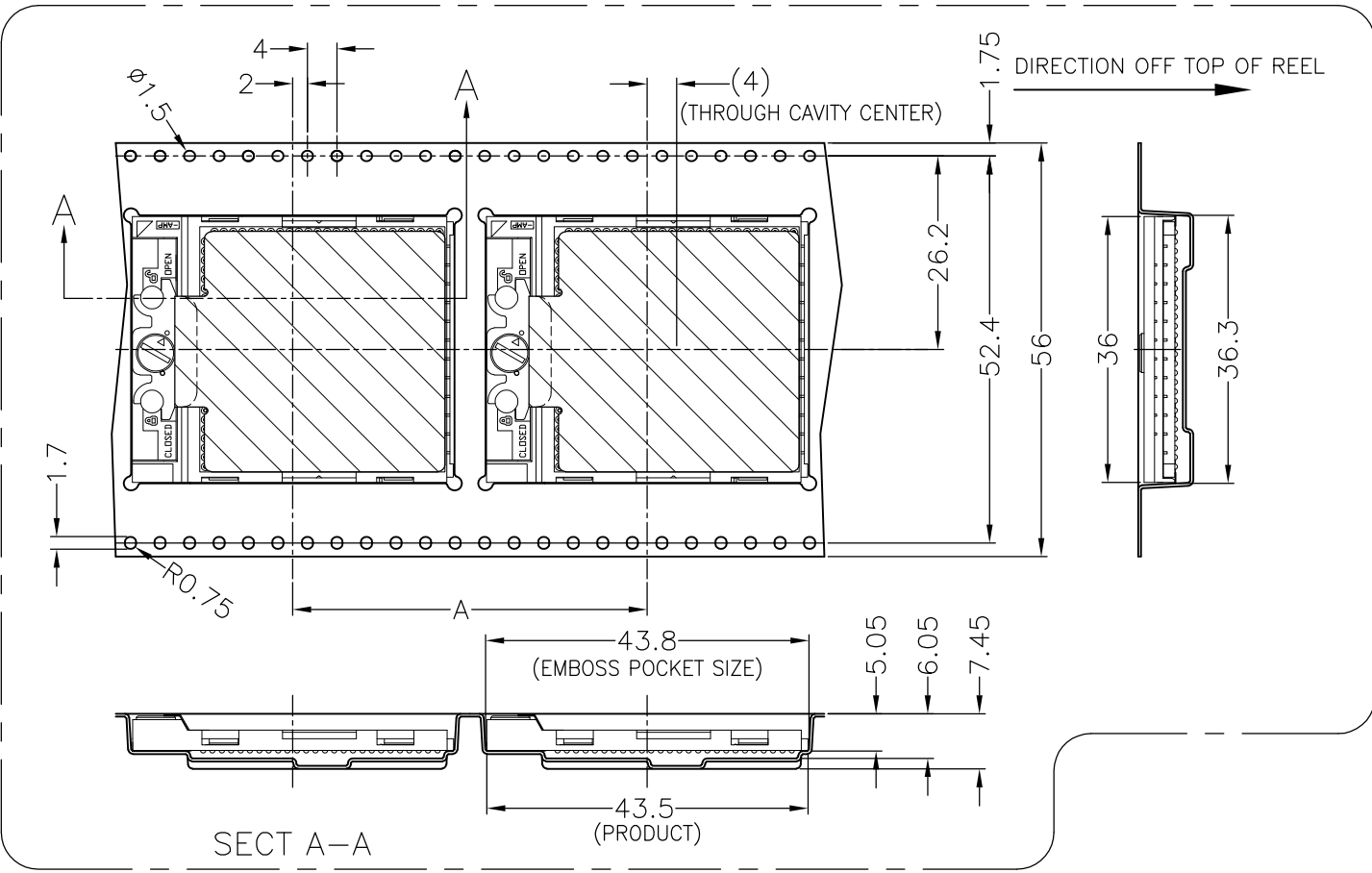


THIS DRAWING IS UNPUBLISHED. RELEASED FOR PUBLICATION 2001.

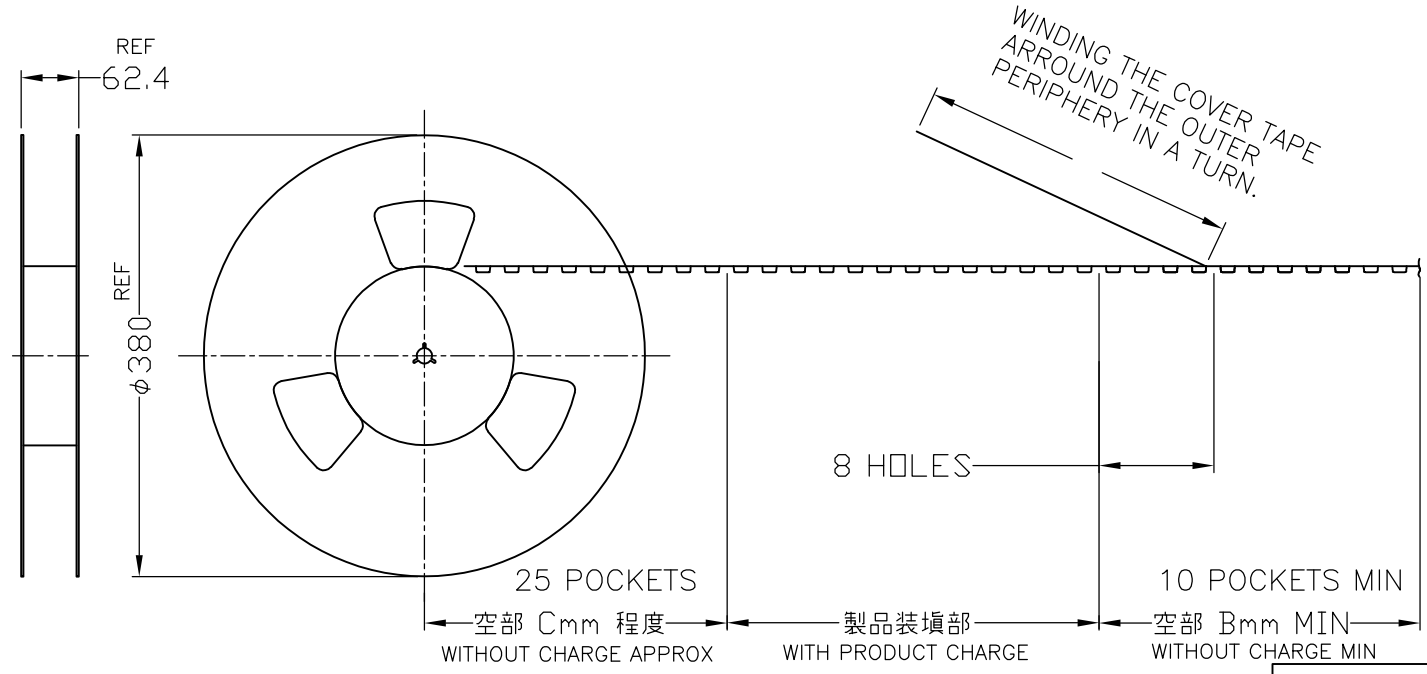
© COPYRIGHT 2001 BY TYCO ELECTRONICS CORPORATION. ALL RIGHTS RESERVED.

LOC	DIST	REVISIONS					
J	.	P	LTR	DESCRIPTION	DATE	DWN	APVD
		K		REVISED ECR-06-025231	17APR07	C.D	H.S



PICK AND PLACE PART DIFFERENCE			
MASK TAPE (50 MICRO) WEIGHT:6.4(g)	MASK TAPE (75 MICRO) WEIGHT:6.4(g)	CAP WEIGHT:7.8(g)	MASK TAPE(CENTER OPENED) (50 MICRO) WEIGHT:6.4(g)

SOCKET TYPE VARIATIONS				
479M STANDARD	478A TYPE STANDARD	478B TYPE STANDARD	478C TYPE STANDARD	479M WITH PEG
479M 180DEG ROTATE	478A TYPE 180DEG ROTATE	478B TYPE 180DEG ROTATE	478C TYPE 180DEG ROTATE	479M WITHOUT PEG



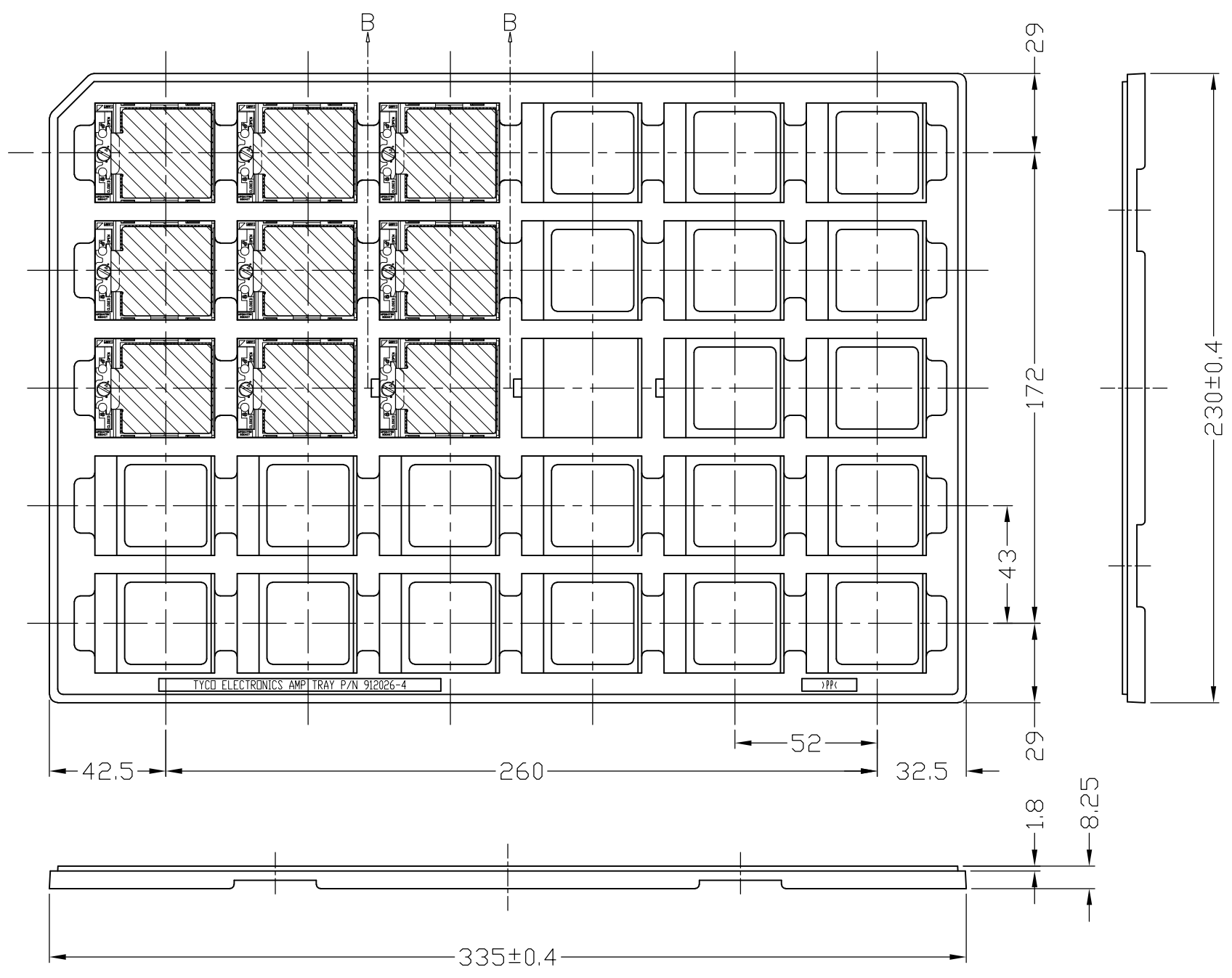
⚠ MATERIAL  
EMBOSS TAPE : PET  
COVER TAPE : PET  
PROTECTION BAND : PAPER

TAPE AND REEL PACKING  
AS SHOWN

THIS DRAWING IS A CONTROLLED DOCUMENT.		DWN A.KUBO 20JAN03	<b>tyco</b> Tyco Electronics AMP K.K. Kawasaki, Japan	
		CHK S.ABE 21JAN03		
DIMENSIONS: MM		APVD H.SHIRAI 21JAN03	PACKING ASSY	
TOLERANCES UNLESS OTHERWISE SPECIFIED:		PRODUCT SPEC 108-5744	mPGA47X SOCKET LEAD FREE BALL	
0 PLC ± 0.3		APPLICATION SPEC- INSTRUCTION SHEET 411-5983	SIZE A3	RESTRICTED TO
1 PLC ± 0.3		WEIGHT SEE TABLE	CAGE CODE 00779	DRAWING NO C-1674770
2 PLC ± 0.3		CUSTOMER DRAWING	SCALE NTS	SHEET 1 OF 3
3 PLC ± 0.3			REV K	
4 PLC ± 0.3				
ANGLES ± 3'				
FINISH				

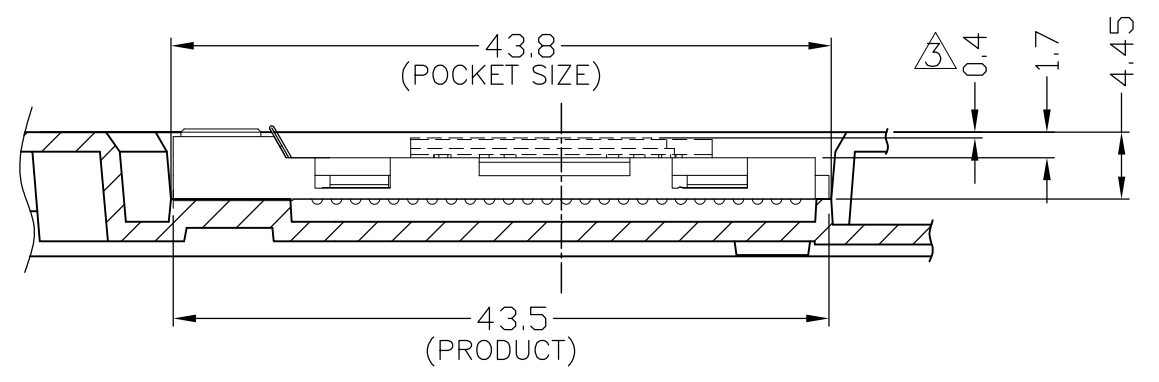
THIS DRAWING IS UNPUBLISHED. RELEASED FOR PUBLICATION 2001.  
 © COPYRIGHT 2001 BY TYCO ELECTRONICS CORPORATION. ALL RIGHTS RESERVED.

LOC		DIST		REVISIONS			
P	LTR	DESCRIPTION	DATE	DWN	APVD		
-	-	SEE SHEET 1	-	-	-		



△ MATERIAL PP  
 △ IN CASE OF PICK AND PLACE CAP ITEM

TRAY PACKING AS SHOWN




SECTION B-B  
SCALE 2:1

THIS DRAWING IS A CONTROLLED DOCUMENT.		DWN		Tyco Electronics AMP K.K. Kawasaki, Japan	
DIMENSIONS: MM		CHK		NAME	
TOLERANCES UNLESS OTHERWISE SPECIFIED: 0 PLC ± 0.3 1 PLC ± 0.3 2 PLC ± 0.3 3 PLC ± 0.3 4 PLC ± 0.3 ANGLES ± 3°		APVD		PACKING ASSY mPGA47X SOCKET LEAD FREE BALL	
MATERIAL		PRODUCT SPEC		SIZE	RESTRICTED TO
△		APPLICATION SPEC INSTRUCTION SHEET		A3	-
FINISH		WEIGHT		CAGE CODE	DRAWING NO
		CUSTOMER DRAWING		00779	1674770
		SCALE		SHEET	REV
		NTS		2 OF 3	K

THIS DRAWING IS UNPUBLISHED. RELEASED FOR PUBLICATION 2001.  
 © COPYRIGHT 2001 BY TYCO ELECTRONICS CORPORATION. ALL RIGHTS RESERVED.

LOC	DIST	REVISIONS					
		P	LTR	DESCRIPTION	DATE	DWN	APVD
J	.			SEE SHEET 1	-	-	-

TAPE AND REEL PITCH	WITH MASK TAPE (THK)	WEIGHT(kg)	C	B	A	SOCKET QTY PER TRAY OR REEL	SOCKET P/NS REF. ONLY	SALEABLE PART NO.	NAME
56 mm	75 MICRO	1.88	1400	560	56	160	7-1674772-2	7-1674770-2	478B TYPE 180 DEGREE ROTATE
56 mm	75 MICRO	1.88	1400	560	56	160	6-1674772-2	6-1674770-2	478A TYPE 180 DEGREE ROTATE
56 mm	75 MICRO	1.88	1400	560	56	160	5-1674772-2	5-1674770-2	479M STD 180 DEGREE ROTATE
	WITH CAP	0.354				30	4-1674772-4	4-1674770-4	479M WO/PEG
	WITH MASK TAPE (THK 50 MICRO)	0.312				30	4-1674772-3	4-1674770-3	
	WITH CAP	0.354				30	4-1674772-2	4-1674770-2	479M W/PEG
	WITH MASK TAPE (THK 50 MICRO)	0.312				30	4-1674772-1	4-1674770-1	
	WITH CAP	0.354				30	3-1674772-3	3-1674770-9	478C TYPE
	WITH MASK TAPE (THK 75 MICRO)	0.312				30	3-1674772-2	3-1674770-8	
56 mm	75 MICRO	1.88	1400	560	56	160	3-1674772-2	3-1674770-2	478B STD. BLACK
	WITH CAP	0.354				30	2-1674772-9	2-1674770-9	
	WITH CAP	0.354				30	2-1674772-6	2-1674770-6	478B STD. Cover: PURPLE
	WITH MASK TAPE (THK 75 MICRO)	0.312				30	2-1674772-4	2-1674770-5	
56 mm	75 MICRO	1.88	1400	560	56	160	2-1674772-4	2-1674770-4	478B TYPE
56 mm	75 MICRO	1.88	1400	560	56	160	2-1674772-2	2-1674770-2	
56 mm	75 MICRO	1.88	1400	560	56	160	2-1674772-1	2-1674770-1	478A STD. Cover: YELLOW
	WITH CAP	2.13	1400	560	56	160	1-1674772-5	4-1674770-7	
56 mm	75 MICRO	1.88	1400	560	56	160	1-1674772-4	4-1674770-6	478A TYPE
	WITH MASK TAPE (THK 75 MICRO)	0.312				30	1-1674772-2	1-1674770-5	
56 mm	75 MICRO	1.88	1400	560	56	160	1-1674772-2	1-1674770-2	479M STANDARD
	WITH MASK TAPE (THK 75 MICRO)	0.312				30	4-1674772-5	4-1674770-5	
	WITH CAP	0.354				30	1674772-3	1674770-9	
	WITH MASK TAPE (THK 75 MICRO)	0.312				30	1674772-2	1674770-8	
	WITH MASK TAPE (THK 50 MICRO)	0.312				30	1674772-1	1674770-7	
48 mm	WITH CAP	2.42	1200	480	48	200	1674772-3	1674770-6	
48 mm	WITH MASK TAPE (THK 75 MICRO)	2.14	1200	480	48	200	1674772-2	1674770-5	
48 mm	WITH MASK TAPE (THK 50 MICRO)	2.14	1200	480	48	200	1674772-1	1674770-4	
56 mm	WITH CAP	2.13	1400	560	56	160	1674772-3	1674770-3	
56 mm	WITH MASK TAPE (THK 75 MICRO)	1.88	1400	560	56	160	1674772-2	1674770-2	
56 mm	WITH MASK TAPE (THK 50 MICRO)	1.88	1400	560	56	160	1674772-1	1674770-1	
PACKING	REMARKS	WEIGHT(kg)	DIMENSION			SOCKET QTY PER TRAY OR REEL	SOCKET P/NS REF. ONLY	SALEABLE PART NO.	NAME

THIS DRAWING IS A CONTROLLED DOCUMENT.		DWN	 Tyco Electronics AMP K.K. Kawasaki, Japan			
DIMENSIONS: MM		CHK				
TOLERANCES UNLESS OTHERWISE SPECIFIED:		APVD	NAME			
0 PLC ± 0.3 1 PLC ± 0.3 2 PLC ± 0.3 3 PLC ± 0.3 4 PLC ± 0.3 ANGLES ± 3'		PRODUCT SPEC	PACKING ASSY mPGA47X SOCKET LEAD FREE BALL			
MATERIAL		APPLICATION SPEC INSTRUCTION SHEET	SIZE	CAGE CODE	DRAWING NO	RESTRICTED TO
FINISH		WEIGHT	A3	00779	1674770	-
CUSTOMER DRAWING			SCALE	SHEET	REV	
			NTS	3 OF 3	K	