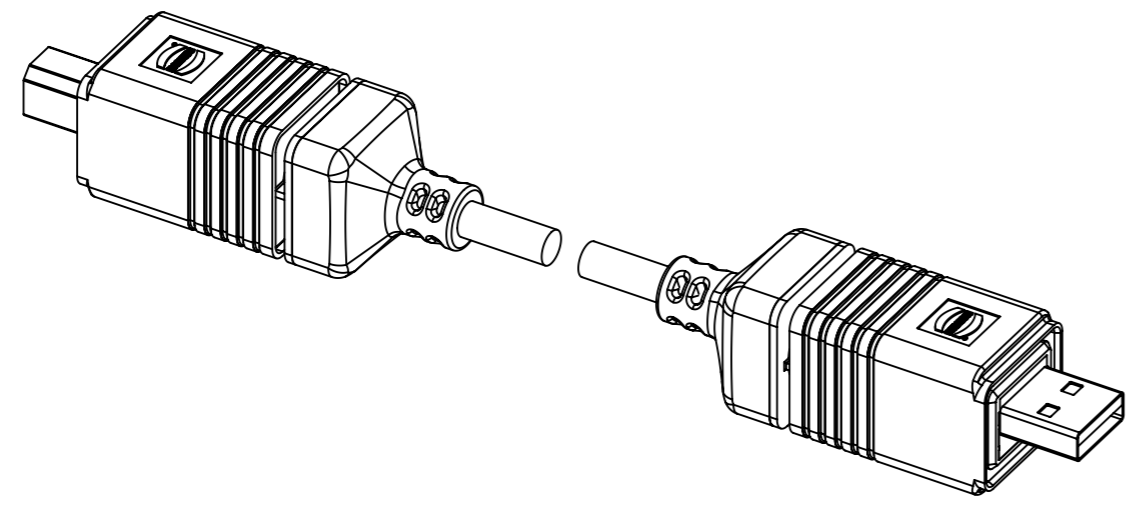


further information see USB specification 2.0
 www.usb.org and
 DS 09456230203



6	09 45 145 4905	HARTING PushPull USB2.0, 1 x PushPull type B - 1 x PushPull type A	5,0 ±0,10
5	09 45 145 4904	HARTING PushPull USB2.0, 1 x PushPull type B - 1 x PushPull type A	3,0 ±0,05
4	09 45 145 4903	HARTING PushPull USB2.0, 1 x PushPull type B - 1 x PushPull type A	2,0 ±0,05
3	09 45 145 4902	HARTING PushPull USB2.0, 1 x PushPull type B - 1 x PushPull type A	1,5 ±0,05
2	09 45 145 4901	HARTING PushPull USB2.0, 1 x PushPull type B - 1 x PushPull type A	1,0 ±0,05
1	09 45 145 4900	HARTING PushPull USB2.0, 1 x PushPull type B - 1 x PushPull type A	0,5 ±0,03
no.	part no.	description	length a [metre]

	All rights reserved		Scale 2:1	Free size tol.	Ref.
	Department EL PD		Created by STORCK	Inspected by ELLERMANN	Sub.
HARTING Electronics GmbH D-32339 Espelkamp		Title HPP V4 USB 2.0, System cable: PP type B - PP type A	Standardisation HOFFMANN	Date 2018-08-23	State Final Release
Type TB	Number 0945145490X	Doc-Key / ECM-Nr. 100206995/UGD/019/B 500000139107		Rev. B	Page 1/1