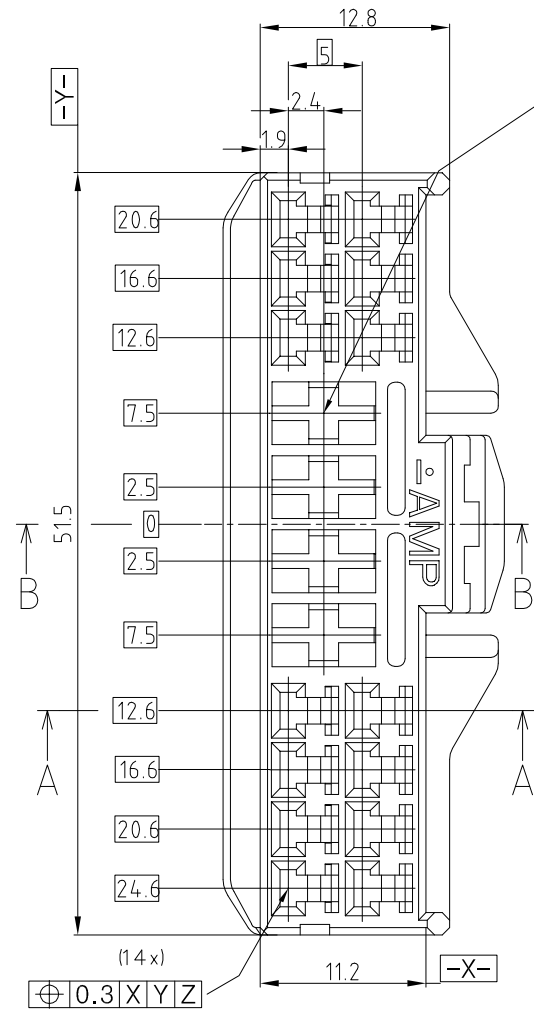


THIS DRAWING IS UNPUBLISHED. RELEASED FOR PUBLICATION

© COPYRIGHT BY TYCO ELECTRONICS CORPORATION. ALL RIGHTS RESERVED.

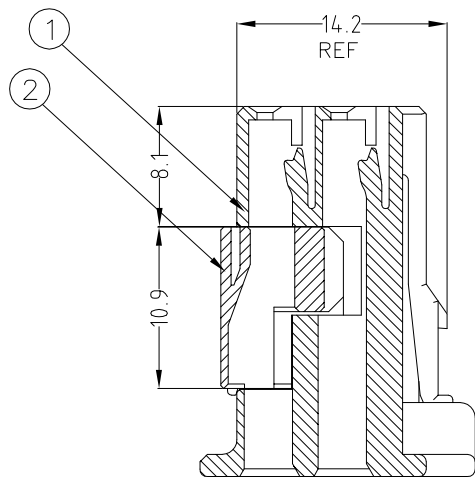
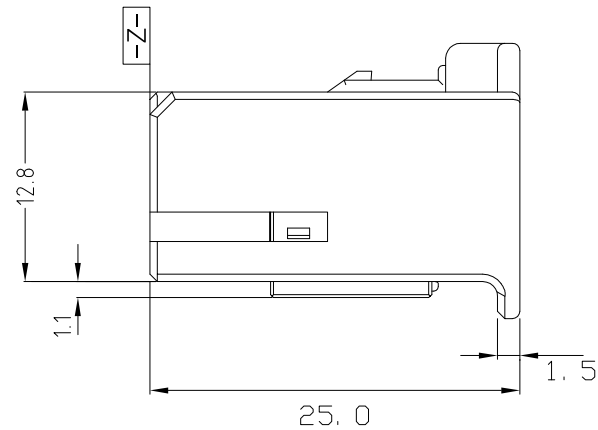
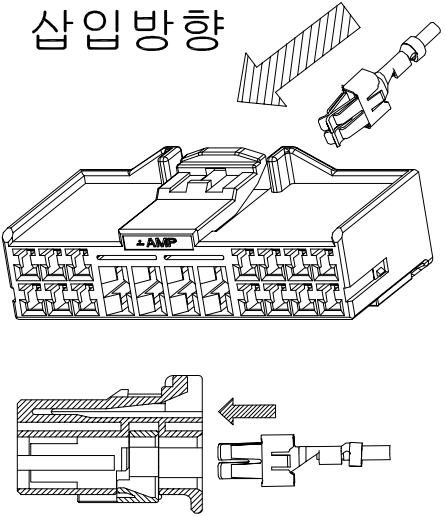
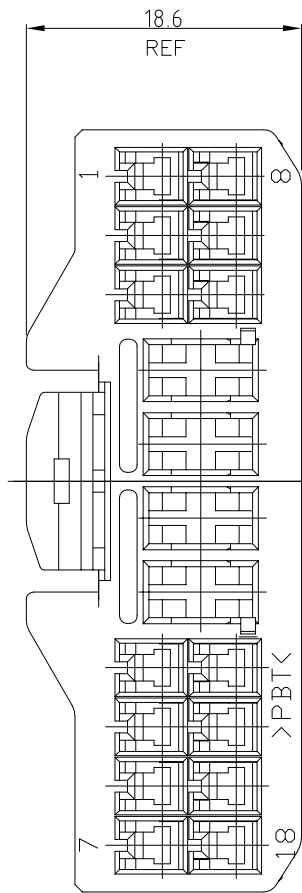
REVISIONS

P	LTR	DESCRIPTION	DATE	DWN	APVD
	B3	REVISED (ECR-09-019350)	31.AUG.'09	KT	HG
	B4	REVISED (ECR-12-019821)	15.NOV.'12	JM	HG
	B5	REVISED (ECR-14-009134)	08.DEC.'14	JM	HG

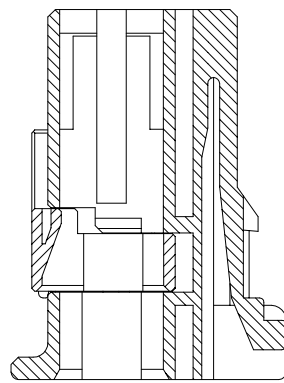


(4x) 0.3 XYZ

(14x) 0.3 XYZ



A-A



B-B

NOTE

- APPLIED CONTACT P/N;
090 II- 368083, 368084, 368085
090 III- 1743654, 1743655, 1743656
S.P.T.- 927840-2, 927831-2, 927837-2, 927829-2, 964203-1, 964204-1
 - APPLICABLE PRODUCT SPEC NO. ; 108-61046
- 추가-
- 적용단자 P/N. ; 090 II - 368083, 368084, 368085
090 III - 1743654, 1743655, 1743656
S.P.T. - 927840-2, 927831-2, 927827-2, 927829-2, 964203-1, 964204-1
 - 적용제품 규격서 ; 108-61046

ASS'Y P/N	DESCRIPTION
368497-3	090/250 HYB 18P PLUG ASS'Y
368497-2	090/250 HYB 18P PLUG ASS'Y
368497-1	090/250 HYB 18P PLUG ASS'Y

NO.	COLOR	MATERIAL	DESCRIPTION	QTY
1	NATURAL	PBT	DBL HSG	1
	GRAY	PBT	PLUG HSG	1
	BLACK	PBT	PLUG HSG	1
2	NATURAL	PBT	DBL HSG	1
	NATURAL	PBT	PLUG HSG	1

THIS DRAWING IS A CONTROLLED DOCUMENT FOR TYCO ELECTRONICS CORPORATION IT IS SUBJECT TO CHANGE AND THE CONTROLLING ENGINEERING ORGANIZATION SHOULD BE CONTACTED FOR THE LATEST REVISION.

DIMENSIONS: MM	TOLERANCES UNLESS OTHERWISE SPECIFIED: 0 <XX<10 ± 0.2 10<XX<30 ± 0.25 30<XX ± 0.3 ANGLES ± 3°
MATERIAL	FINISH
SEE TABLE	

DWN JM JEON	NAME TE TE Connectivity			
CHK JW JUNG				
APVD HG CHD				
PRODUCT SPEC -				
APPLICATION SPEC -	SIZE A3			
WEIGHT -				
CUSTOMER DRAWING		CAGE CODE 00779	DRAWING NO C-368497	RESTRICTED TO -
SCALE 2/1		SHEET 1	OF 1	REV B5