

L.652-X | Adjustable T-Handles

Technopolymer

INCH

RoHS

PA

+266 °F
-22 °F

- 1
- 2
- 3
- 4
- 5
- 6
- 7
- 8
- 9
- 10
- 11
- 12
- 13
- 14
- 15
- 16
- 17
- 18

MATERIAL

Glass-fibre reinforced polyamide based (PA) technopolymer, black colour, matte finish.

CENTRE CAP

Technopolymer, black colour.

STANDARD EXECUTION

Glass-fibre reinforced technopolymer clamping element with tothing and retaining pin, black colour. AISI 302 stainless steel return spring. Brass boss, threaded blind hole.

OTHER EXECUTIONS ON REQUEST

Standard metric holes.

FEATURES AND APPLICATIONS

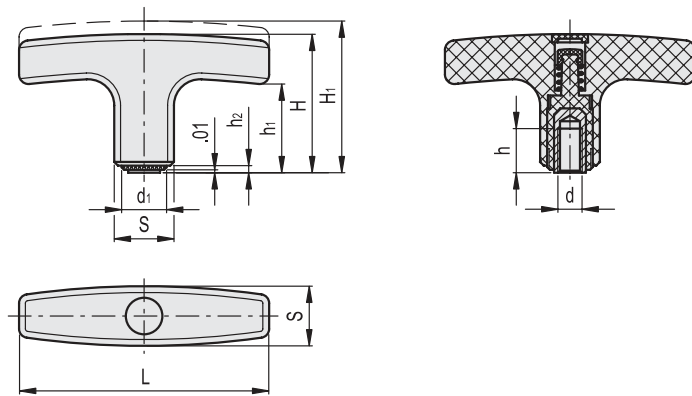
Particularly suitable when clamping operations are limited owing to lack of space and the hand of the operator cannot make a complete rotation.

INSTRUCTIONS OF USE

For clamping, lift the handle to disengage the clamping device tothing and bring it back to start position. By releasing the handle, the return spring automatically engages the tothing.



ELESA Original design



INCH

Code	Description	L	d	S	H	H1	d1	h	h1	h2	Teeth nr	△△
932731	L.652-X/67 B-1/4-20	2.64	1/4-20	0.63	1.54	1.65	0.47	0.39	1.02	0.04	18	0.07
932762	L.652-X/80 B-5/16-18	3.15	5/16-18	0.79	1.65	1.81	0.59	0.51	1.06	0.04	20	0.1

Fixed & Revolving handles