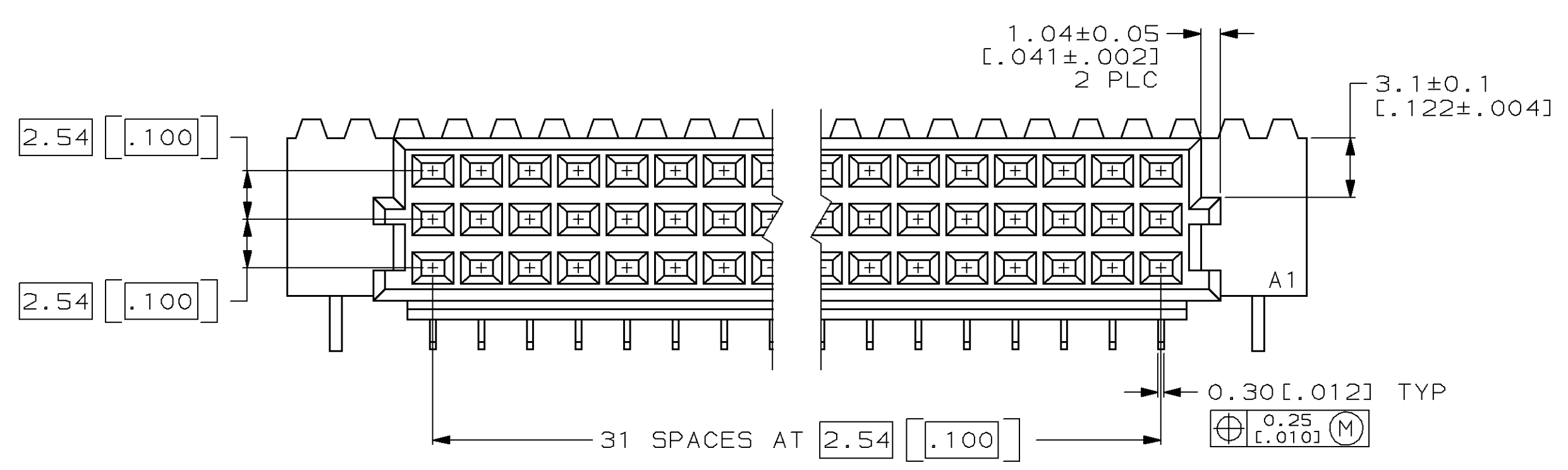
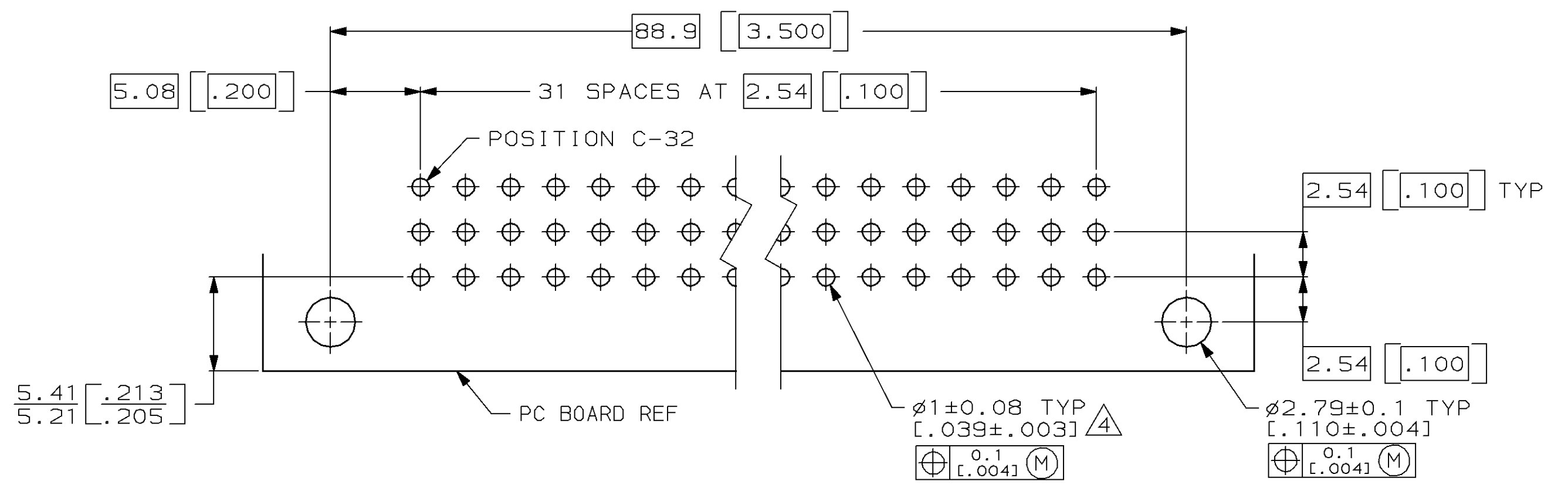
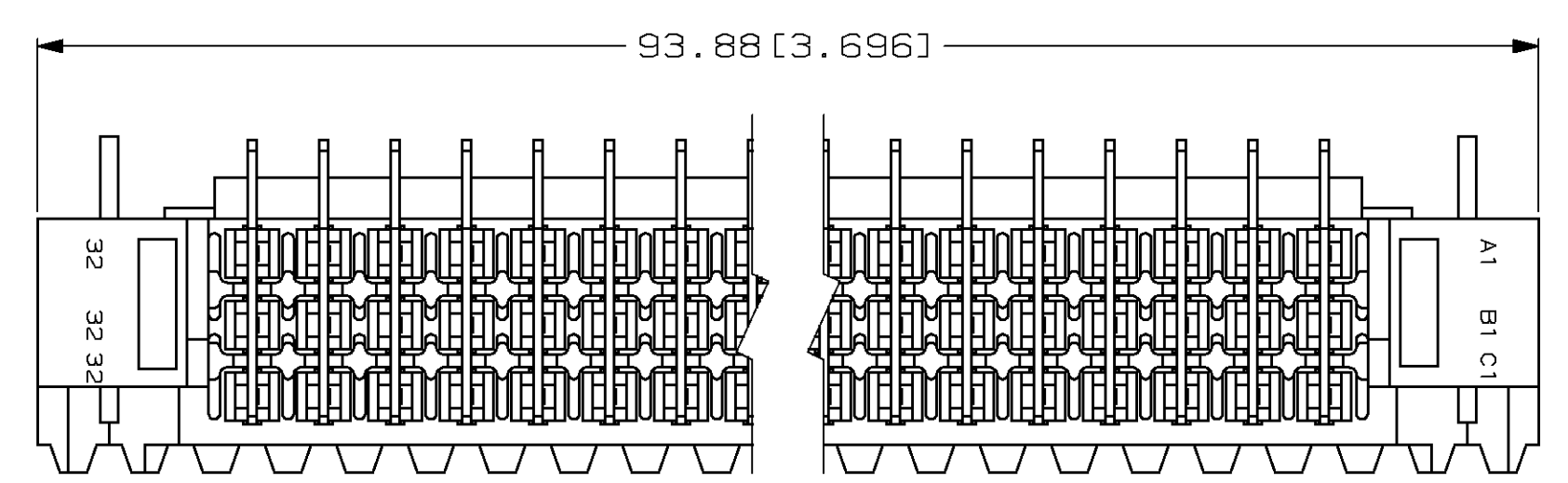
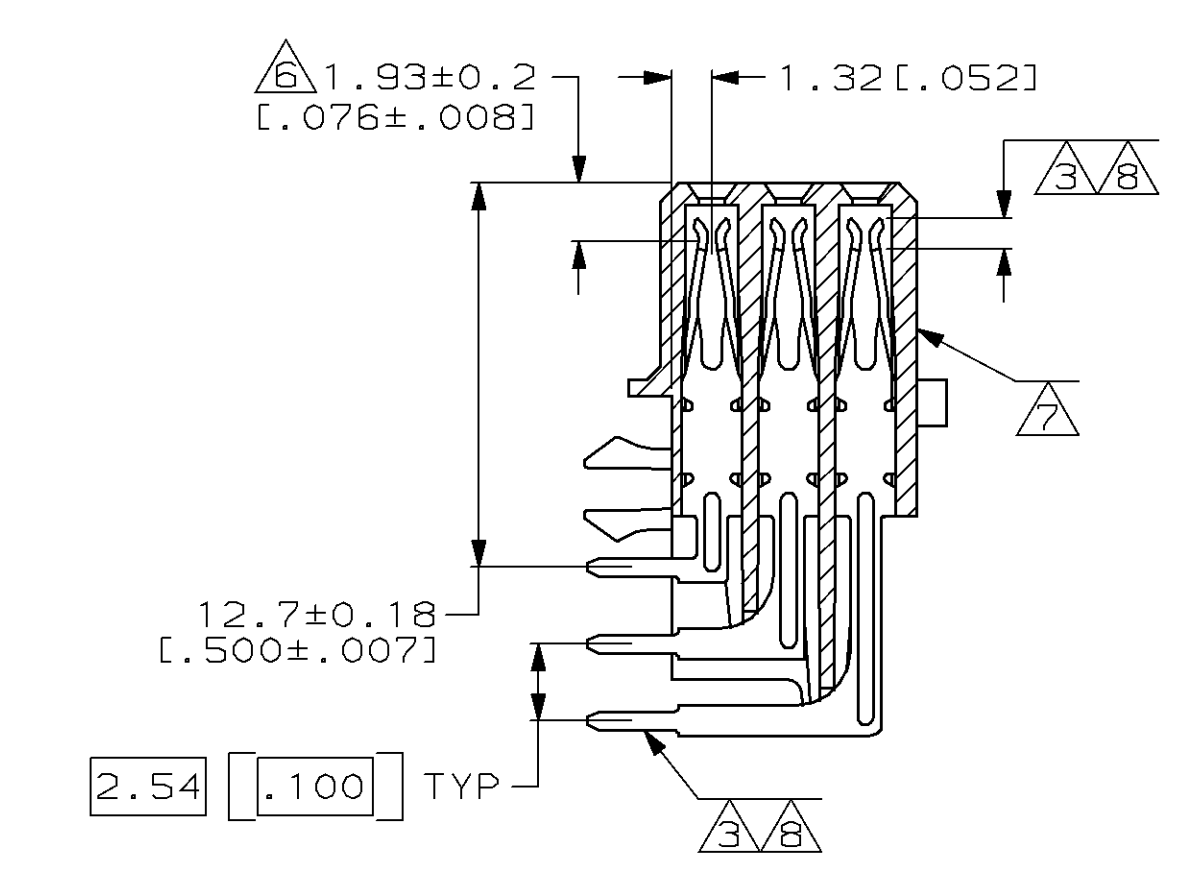
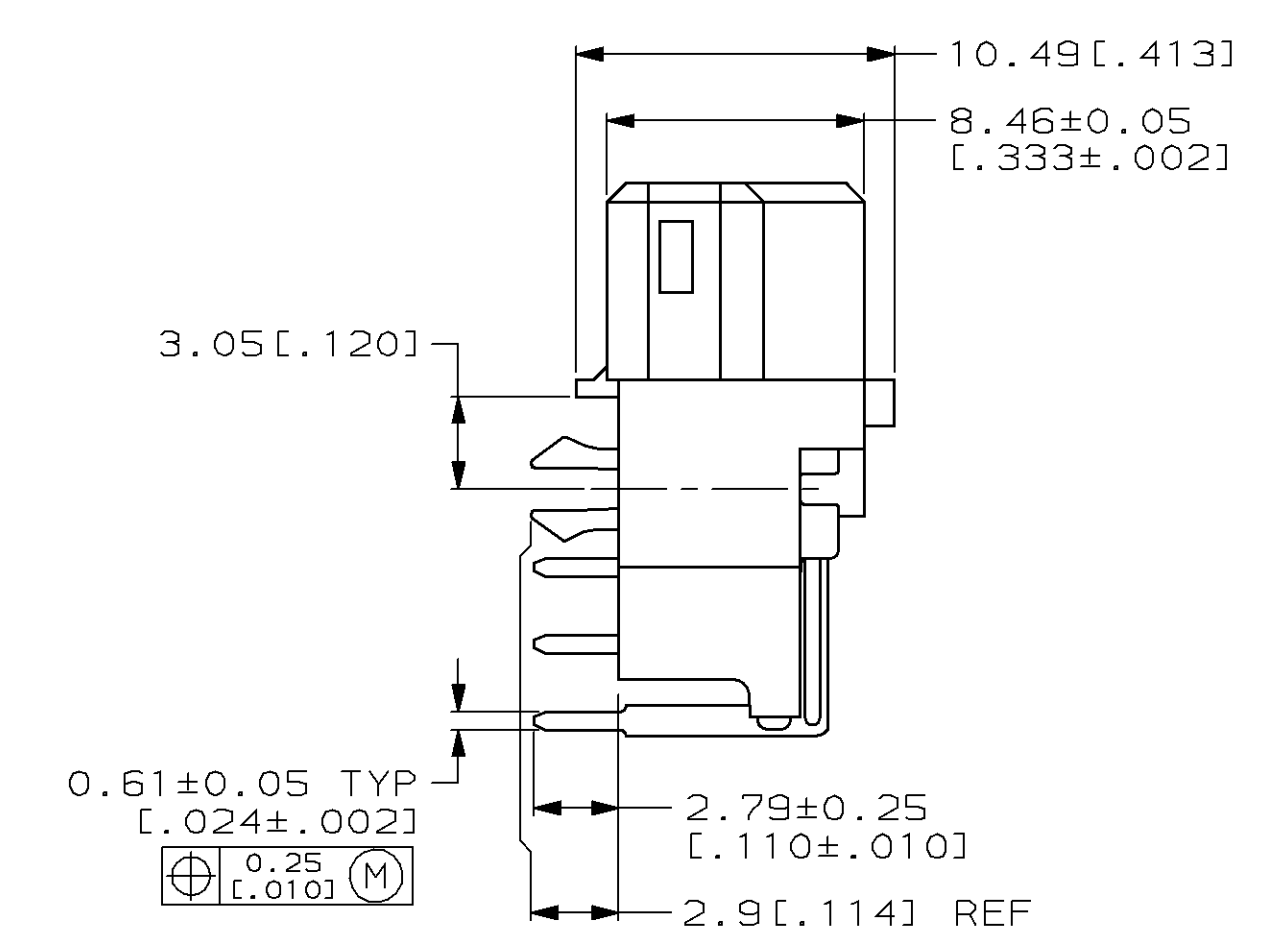
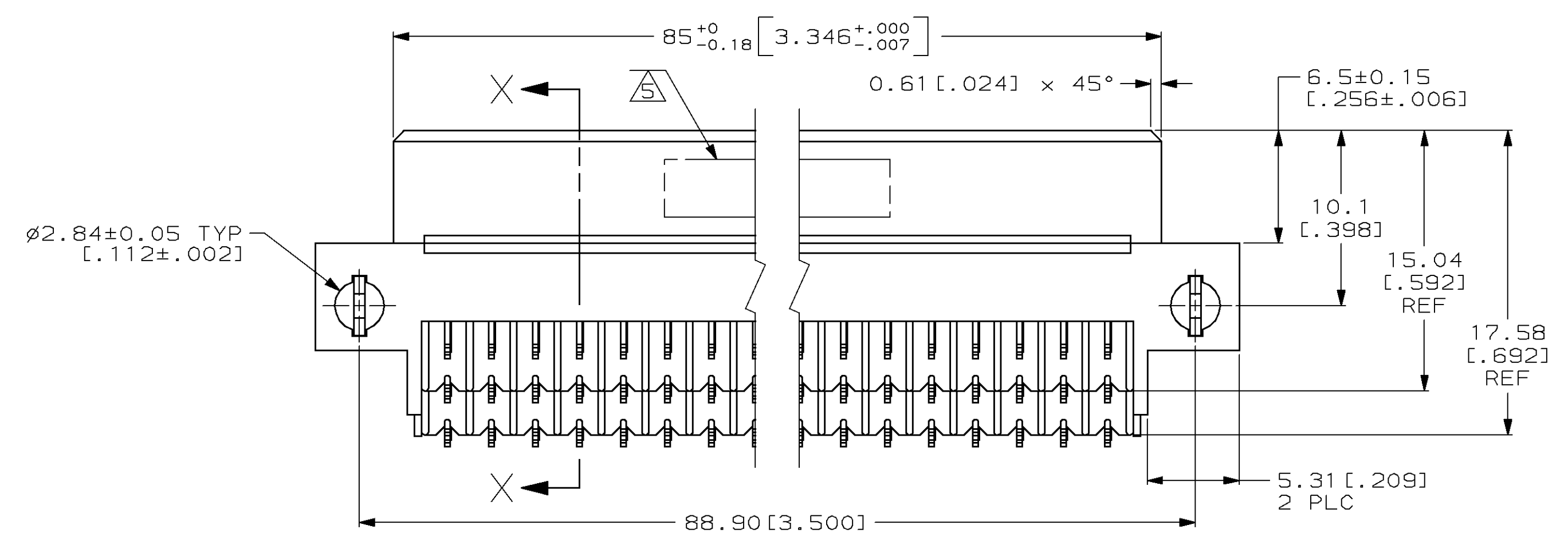


LOC	DIST	REVISIONS					
AD	25	P	LTR	DESCRIPTION	DATE	OWN	APVD
		0		DRAWN	-	-	-
		A		EC 0010-1254-95	9/26/95	LSB	CR
		B		EC 0010-1457-95	1/18/96	LSB	CR
		C		EC 0010-1469-95	4/1/96	LSB	CR
		D		EC 0504-0055-96	10/25/96	LSB	CR



- ① HOUSING MATERIAL: GLASS-FILLED POLYESTER. COLOR: GRAY.
- ② CONTACT MATERIAL: PHOSPHOR BRONZE.
- ③ CONTACT FINISH: DIN 41612 CLASS 2 IN CONTACT AREA. TIN-LEAD PLATE ON TAILS.
- ④ RECOMMENDED HOLE SIZE FOR MANUAL APPLICATION OF CONNECTOR ONTO PC BOARD.
- ⑤ PART NUMBER, DATE CODE IDENTIFICATION, CSA LOGO HOT-STAMPED THIS APPROXIMATE AREA.
- ⑥ CONTACT POINT.
- ⑦ HOT-STAMPING ON THIS SIDE.
- ⑧ CONTACT FINISH: DIN 41612 CLASS 3 IN CONTACT AREA. TIN-LEAD PLATE ON TAILS.
- ⑨ RECOMMENDED PRINTED CIRCUIT BOARD THICKNESS IS 1.57[.062].



NOTES	POSITIONS LOADED	C	B	A	NO. OF LOADED POSITIONS	PART NUMBER
	1-32	X	X	X	96	148220-9
	1-32	X	X	X	96	148220-5
SUPERSEDED BY 148220-5	1-32	X	X	X	96	148220-4

AMP Incorporated  
 Harrisburg, PA 17105-3508

RECEPTACLE ASSEMBLY, EUROCARD, TYPE R WITH BOARD-LOCKS

SIZE: A1 CAGE CODE: 00779 DRAWING NO: C-148220

SCALE: 4:1 SHEET: 1 OF 1 REV: D