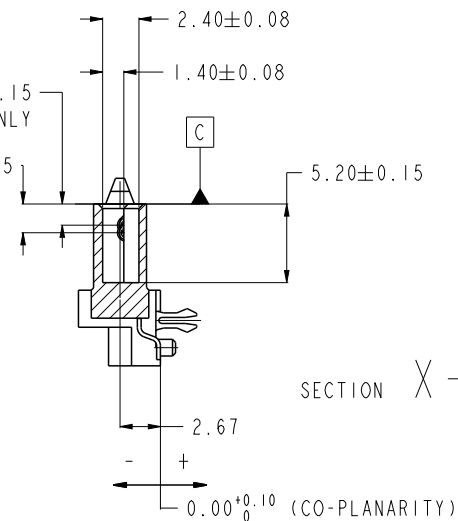
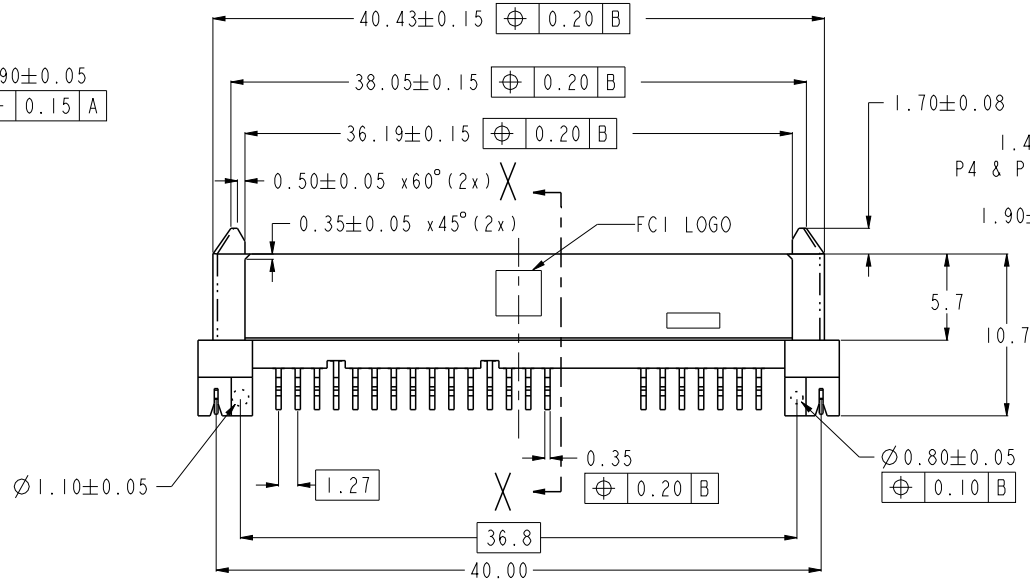
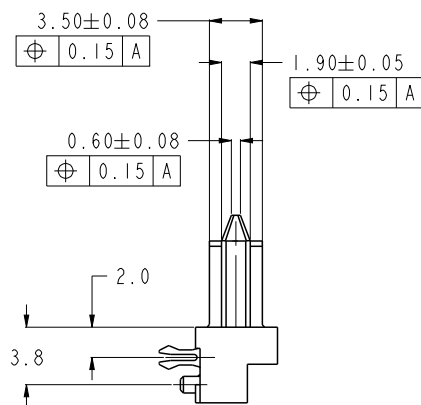
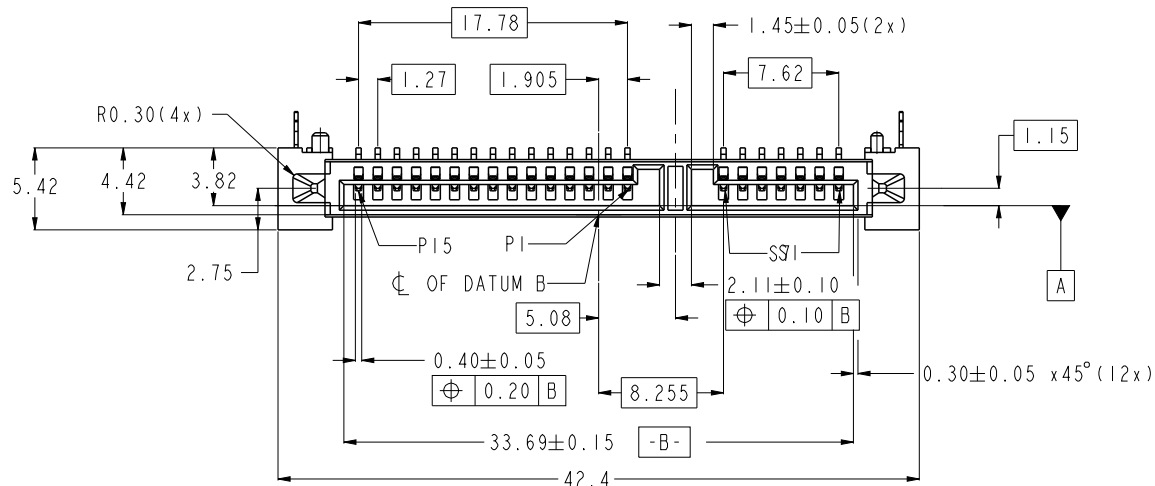


PRODUCT NO.
SEE TABLE

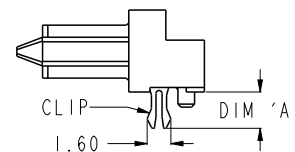
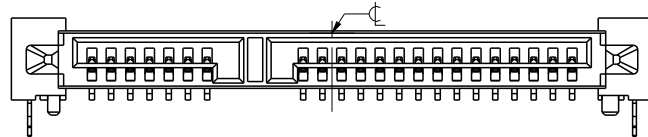


spec ref		dr w cadmin 2006/02/20		projection 	MM ←→	size	scale				
tolerance std ASME Y14.5	TOLERANCES UNLESS OTHERWISE SPECIFIED		eng Koon-Poh Tay 2013/04/10			A4	1:1				
			chr -			ecn no ELX-J-14320-1					
surface ✓		appr Chen-Hong Tan 2013/04/15		product family -		rel level Released					
linear		0.X	±----			title S-ATA COMB RECEPTACLE R/A SMT TYPE ASSY		dwg no 10029364		rev S	
angular		0°	±°								

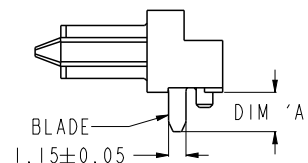
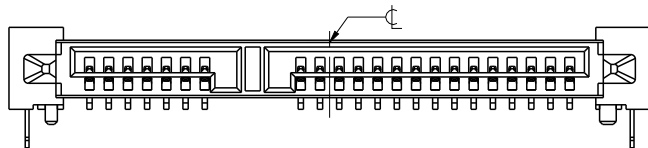


Copyright FCI.

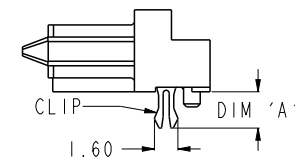
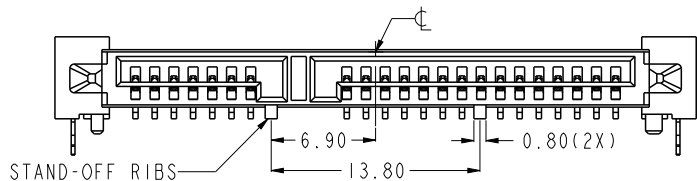
10029364-00XLF/TRLF



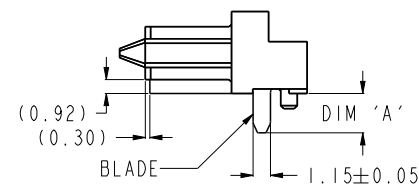
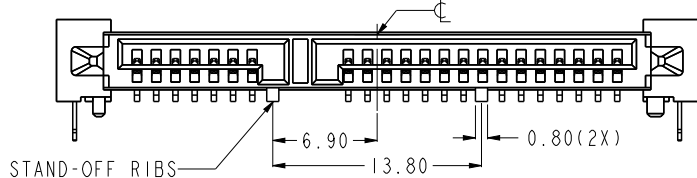
10029364-01XLF/TRLF



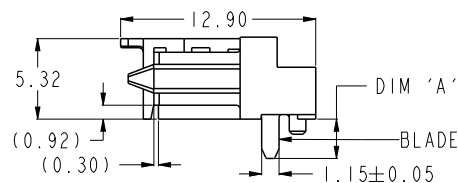
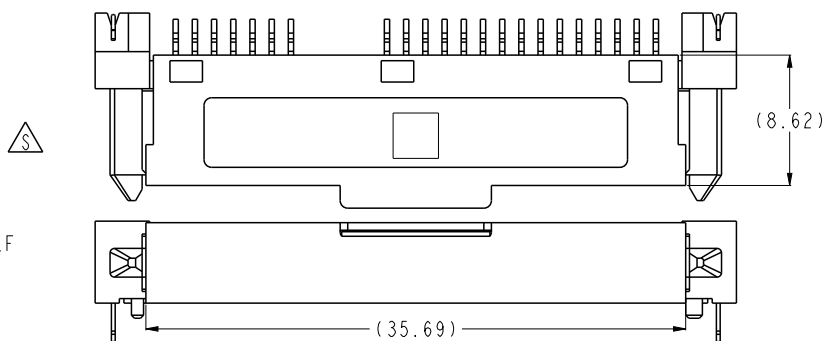
10029364-10XLF/TRLF



10029364-11XLF/TRLF



10029364-11XCLEF/C-TRLF



spec ref		dr	w wadmin	2006/02/20	projection 	MM 	size	A4	scale	1:1	
tolerance std	ASME Y14.5	TOLERANCES UNLESS OTHERWISE SPECIFIED		eng			Koon-Poh Tay	2013/04/10	ecn no		ELX-J-14320-1
		chr	-	appr			Chen-Hong Tan	2013/04/15	rel level		Released
surface	linear	0.X	±----		title	S-ATA COMB RECEPTACLE	dwg no	10029364	rev	S	
		0.XX	±0.20								
angular	0°	±°	www.fci.com								cat. no.

PRODUCT NO.	RECOMMENDED P.C.B. THICKNESS	HOLD DOWN	DIM 'A'	HOUSING WITH STAND-OFF RIBS	PACKAGING
10029364-001LF	1.60	METAL CLIP	2.40	NO	TRAY
10029364-001TRLF					TAPE & REEL
10029364-002LF	1.00		NO	1.80	TRAY
10029364-002TRLF					TAPE & REEL
10029364-102LF			TRAY		
10029364-102TRLF			TAPE & REEL		
10029364-011LF	--	BLADE	2.60	NO	TRAY
10029364-011TRLF					TAPE & REEL
10029364-111LF			TRAY		
10029364-111TRLF			TAPE & REEL		
10029364-111CLF			TRAY		
10029364-111C-TRLF			TAPE & REEL		

NOTES:-

1. MATERIAL:

1) HOUSING : HIGH TEMP. THERMOPLASTIC, UL 94V-0
COLOR : BLACK

2) TERMINAL : COPPER ALLOY
3) HOLD DOWN : COPPER ALLOY

2. FINISH:

1) TERMINAL : 30u" GOLD PLATING (CONTACT POINT)
OVER 50u" MIN NICKEL

2) SOLDER TAIL : 100u" MIN TIN OVER 50u" NICKEL
3) HOLD DOWN : 100u" MIN TIN OVER 50u" NICKEL

3. TRUE POSITION APPLY AT TERMINAL TIP

4. THE STANDARD PACKAGING IS IN TRAY.

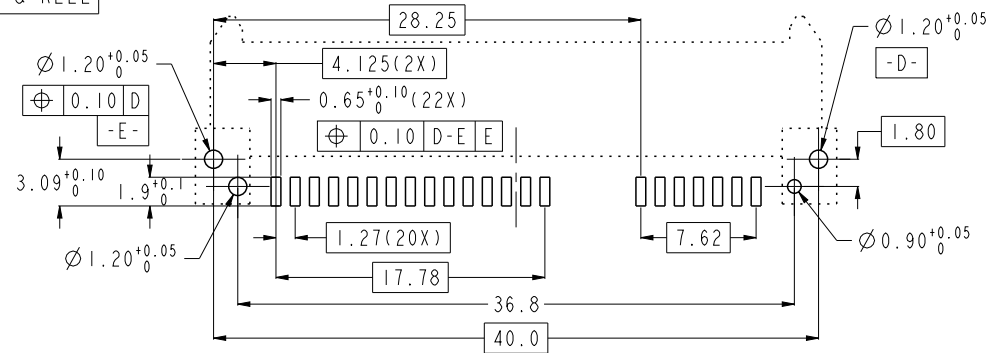
5. THE HOUSING WILL WITHSTAND EXPOSURE TO 260°C PEAK TEMPERATURE FOR 10 SECONDS IN A CONVECTION, INFRA-RED OR VAPOR PHASE REFLOW OVEN

6 THIS PRODUCT MEETS EUROPEAN UNION DIRECTIVES AND OTHER COUNTRY REGULATIONS AS DESCRIBED IN GS-22-008

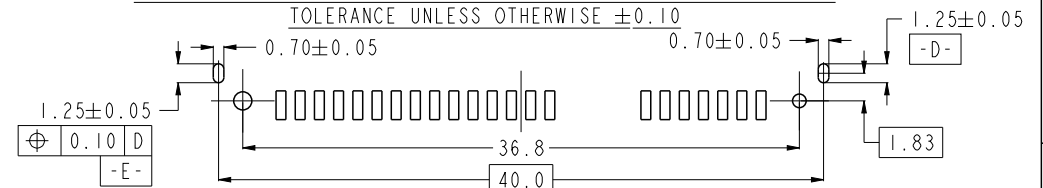
7 PART NUMBERS ENDING IN "LF" ARE MEANT FOR LEAD-FREE IDENTIFICATION. P/N XXXXXXXX-XXXLF IS EQUIVALENT TO PREVIOUS P/N XXXXXXXX-XXX

8. A Δ SYMBOL WILL BE NEXT TO ANY DIMENSION, VIEW, OR NOTE WHICH HAS BEEN MODIFIED WITH THE CURRENT DRAWING REVISION.

RECOMMENDED P.C.B. LAYOUT
TOLERANCE UNLESS OTHERWISE ± 0.10



ALTERNATIVE P.C.B. LAYOUT
REFER TO RECOMMENDED PCB LAYOUT FOR UNSPECIFIED DIMENSIONS
TOLERANCE UNLESS OTHERWISE ± 0.10



spec ref		dr	w wcadmin	2006/02/20	projection 	MM \longleftrightarrow	size	A4	scale	1:1	
tolerance std		eng	Koon-Poh Tay	2013/04/10			ecn no	ELX-J-14320-1			
ASME Y14.5		chr	-	-				rel level	Released		
surface \checkmark	linear	0.X	\pm ----		product family	-	rev				
		0.XX	± 0.20								
		0.XXX	\pm ----								
	angular	0°	\pm °		product family	-	rel level	Released			
TOLERANCES UNLESS OTHERWISE SPECIFIED		appr	Chen-Hong Tan	2013/04/15	product family		-	rel level	Released		
www.fci.com		title		S-ATA COMB RECEPTACLE		dwg no		10029364		rev	S
cat. no.		-		Product - Customer Drw		sheet 3 of 3					