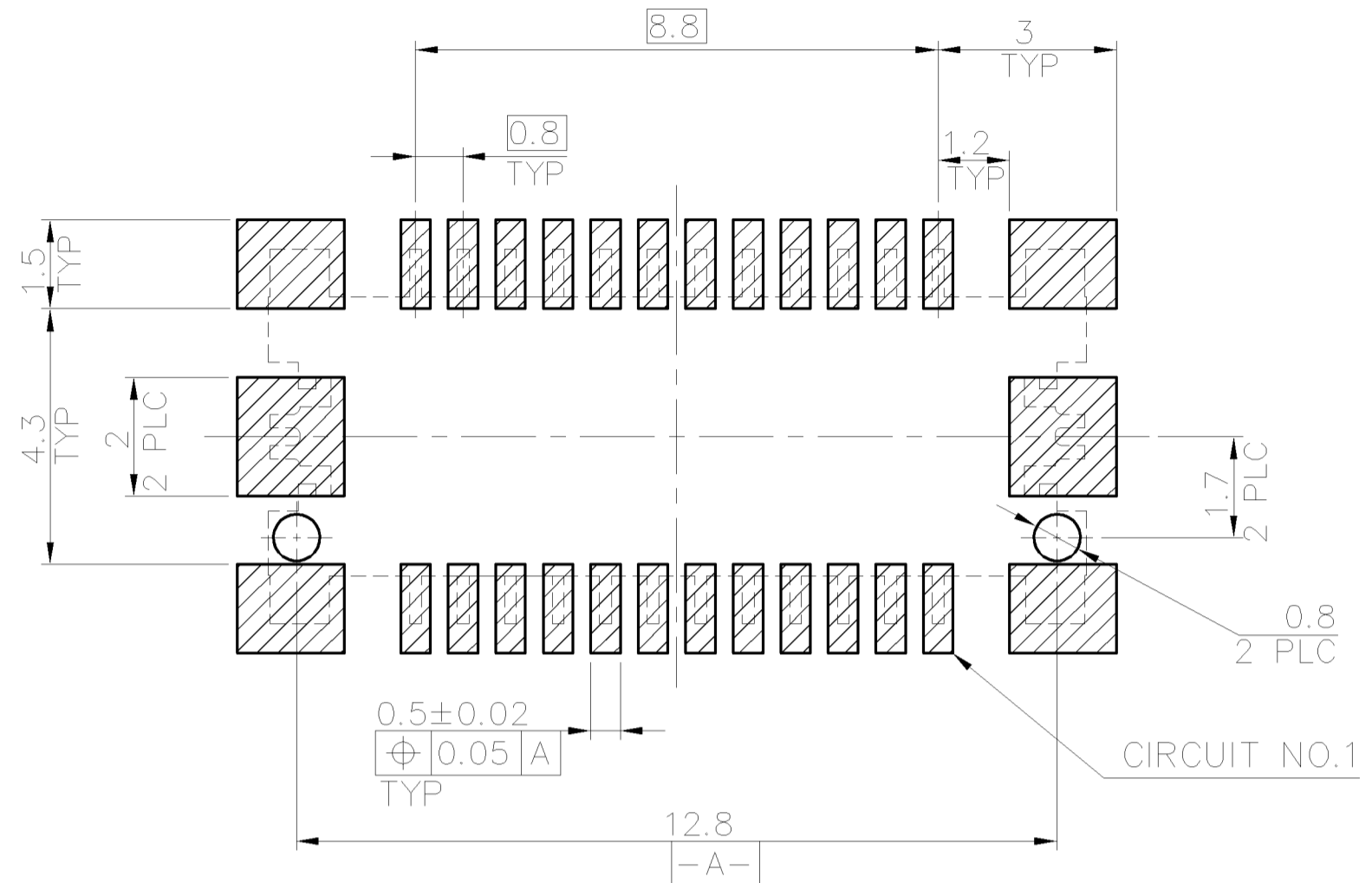
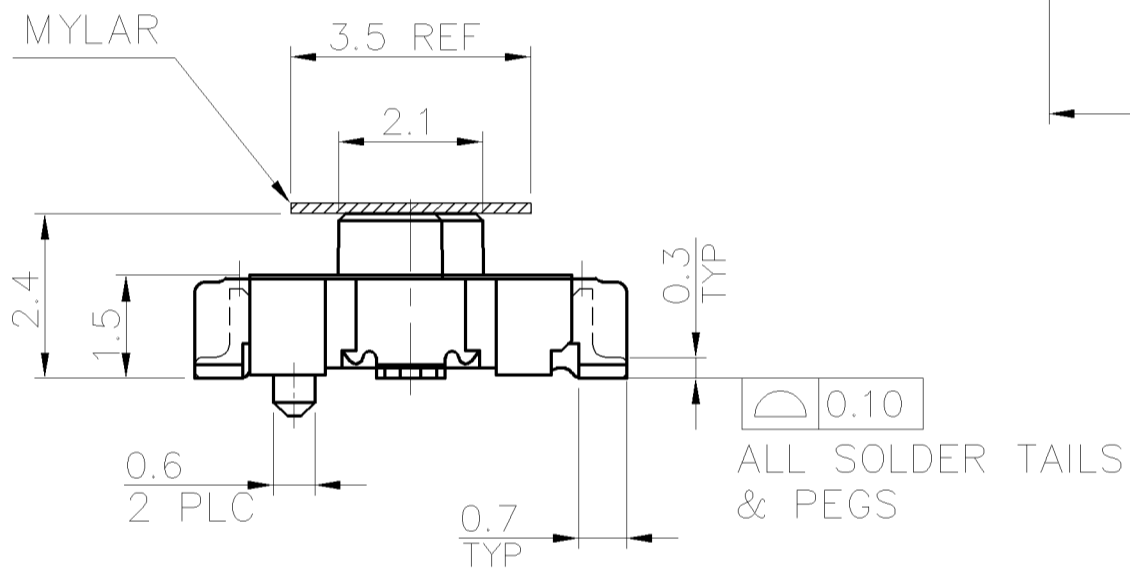
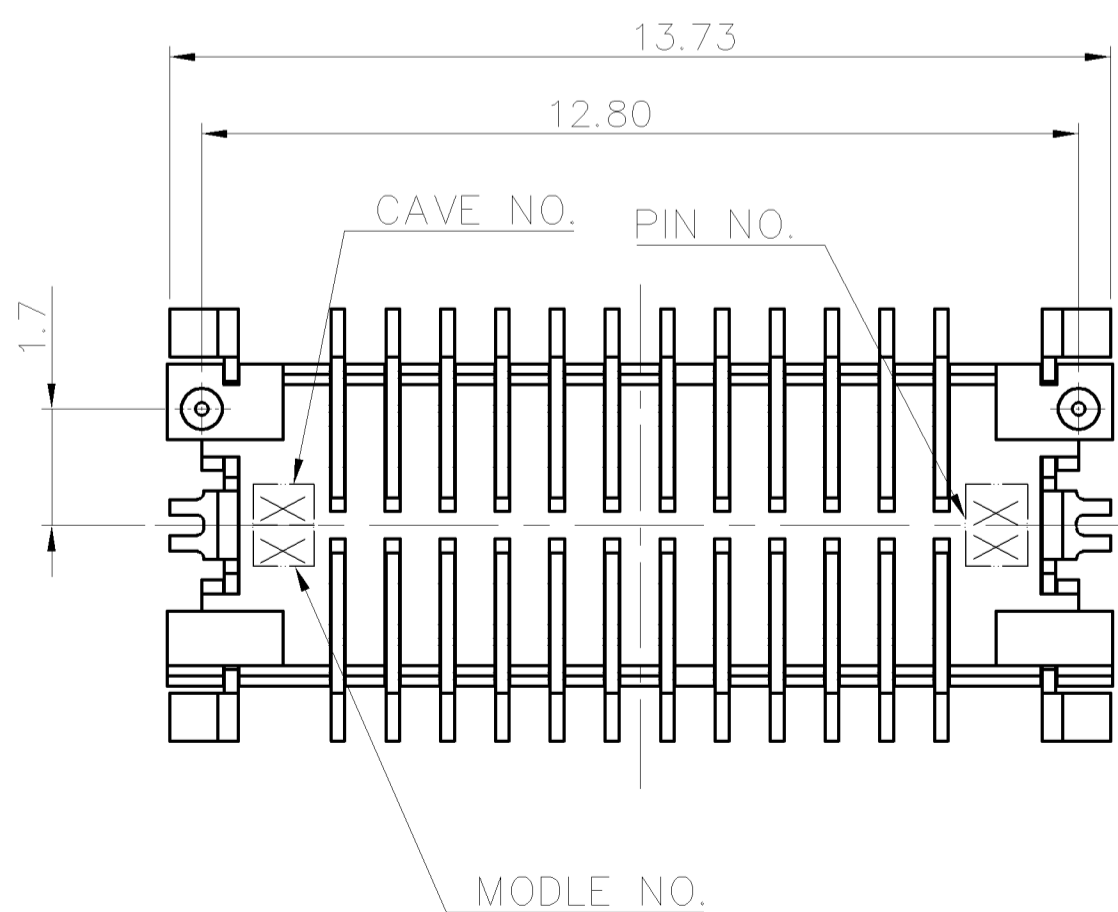
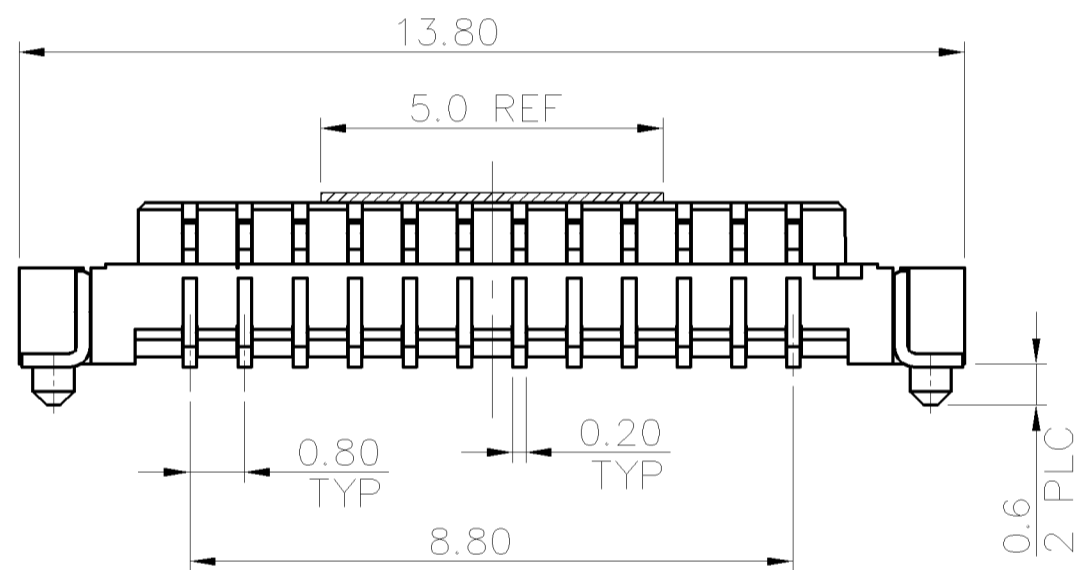
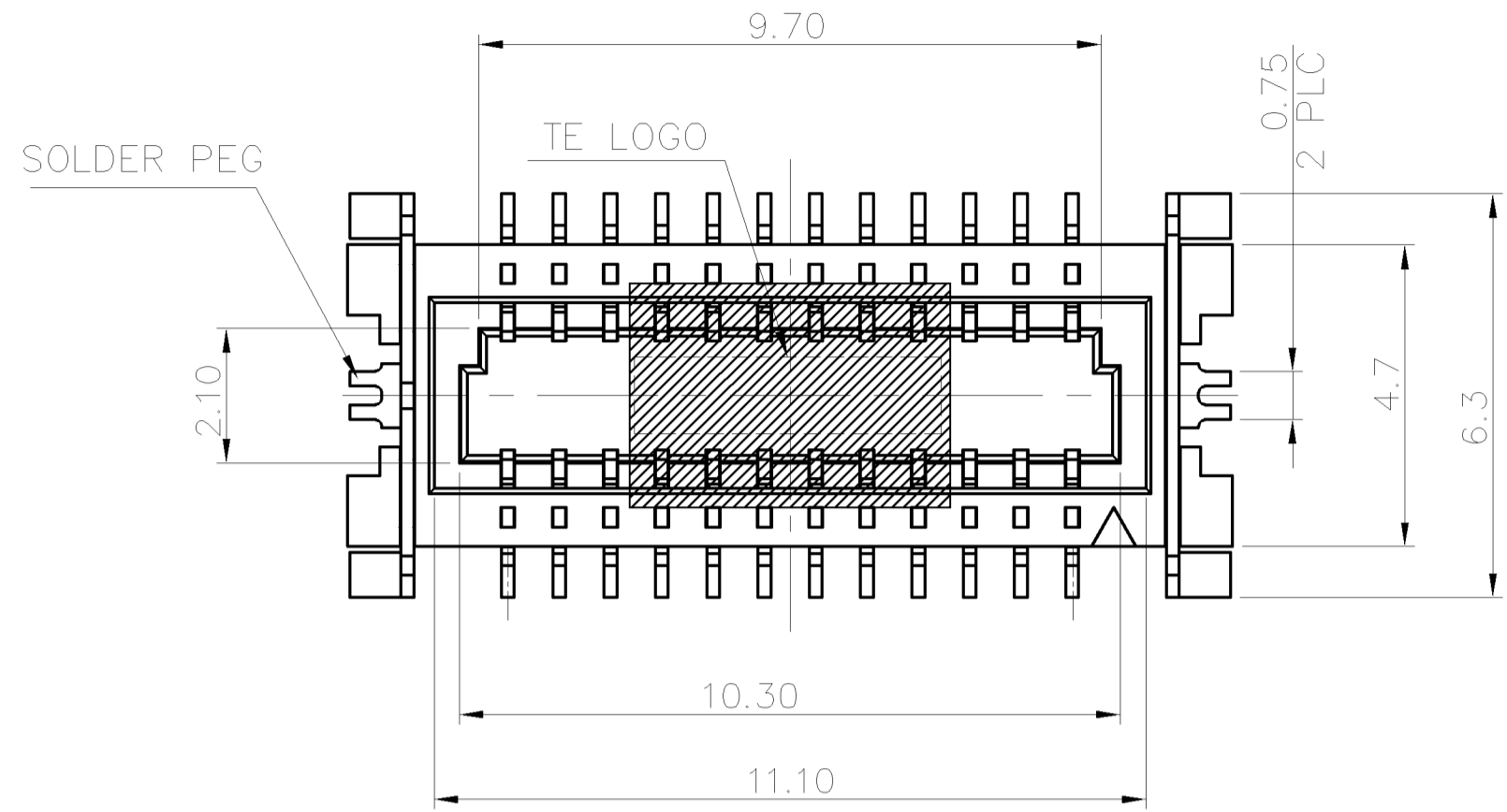


THIS DRAWING IS UNPUBLISHED. RELEASED FOR PUBLICATION
 © COPYRIGHT 2009 BY TYCO ELECTRONICS CORPORATION. ALL RIGHTS RESERVED.

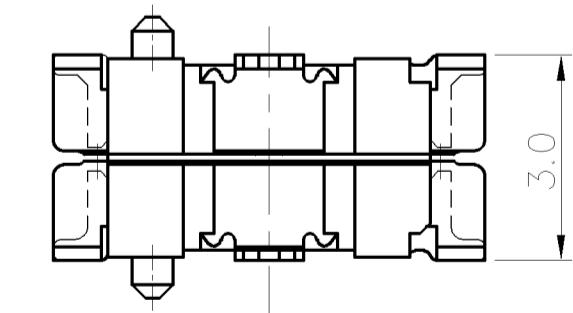
LOC		DIST		REVISIONS					
DW				P	LTR	DESCRIPTION	DATE	DWN	APVD
				A1		ECR-10-007643	08APR10	SC	WK



TOLERANCE: ±0.05
 RECOMMENDED PCB LAYOUT
 (TOP VIEW)

NOTE:

- MATERIAL:
 HOUSING: PA6T WITH 30% GF, UL 94V-0, NATURAL COLOR.
 CONTACTS: PHOSPHOR BRONZE.
 PEGS: BRASS.
 MYLAR: POLYSTYRENES, ORANGE COLOR.
- FINISH:
 CONTACTS: 2.54µm [100µ"] MIN. MATTE-TIN OVER 1.27µm [50µ"] MIN. NICKEL PLATED.
 PEGS: 2.54µm [100µ"] MIN. MATTE-TIN OVER 1.27µm [50µ"] MIN. NICKEL PLATED.
- RECOMMENDED PART NUMBER OF MATING PLUG: X-2041173-X
- REFLOW SOLDER CAPABLE TO 260°C PER TEC-109-201, CONDITION B.
- LOW HALOGEN SPEC:
 CHLORINE(Cl): 900ppm MAX.
 BROMIN(Br): 900ppm MAX.



3 STACKING HEIGHT

C-2041201

2-2041201-4
 PART NUMBER

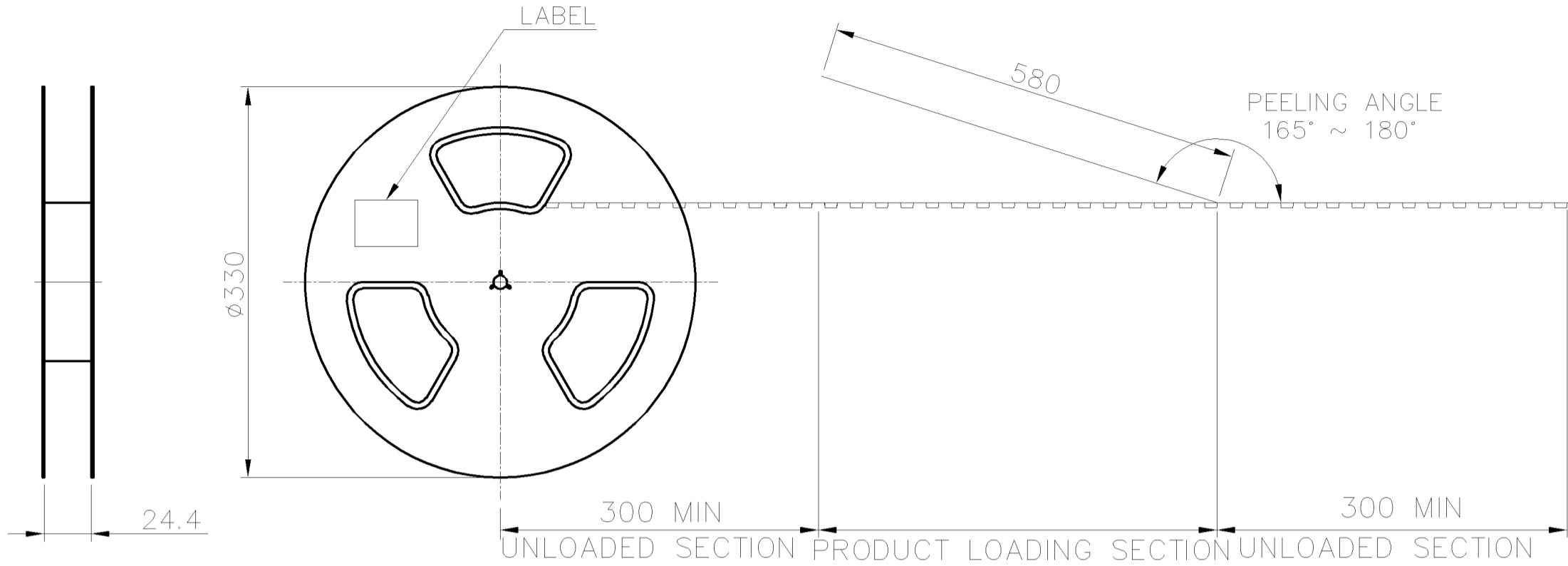
THIS DRAWING IS A CONTROLLED DOCUMENT.		DWN A. WU 16NOV2009	Tyco Electronics Corporation Taipei, Taiwan	
DIMENSIONS: MM		CHK S. CHIEN 16NOV2009	NAME	
TOLERANCES UNLESS OTHERWISE SPECIFIED: 0 PLC ± - 1 PLC ±0.3 2 PLC ±0.2 3 PLC ± - 4 PLC ± - ANGLES ± 3'		APVD W. KODAMA 16NOV2009	PRODUCT SPEC 108-57488	
MATERIAL SEE NOTE		FINISH SEE NOTE	SIZE A2	CAGE CODE 00779
		WEIGHT 0.217g	DRAWING NO. C=2041201	RESTRICTED TO -
		CUSTOMER DRAWING	SCALE -	SHEET 1 of 2
			REV A1	

THIS DRAWING IS UNPUBLISHED. RELEASED FOR PUBLICATION
 © COPYRIGHT 2009 BY TYCO ELECTRONICS CORPORATION. ALL RIGHTS RESERVED.

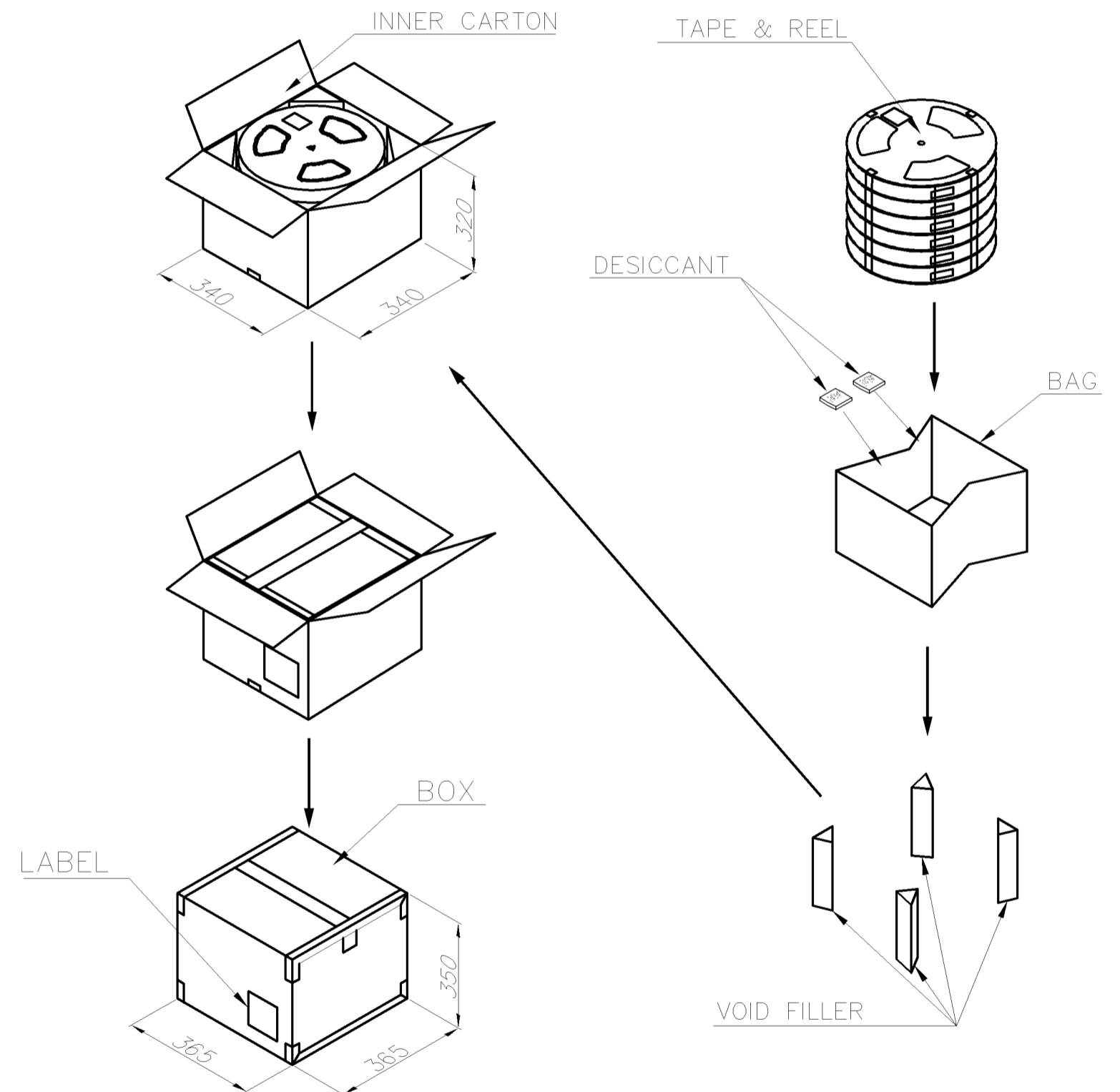
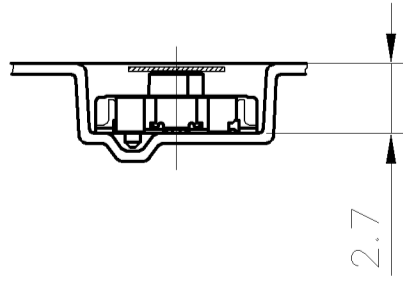
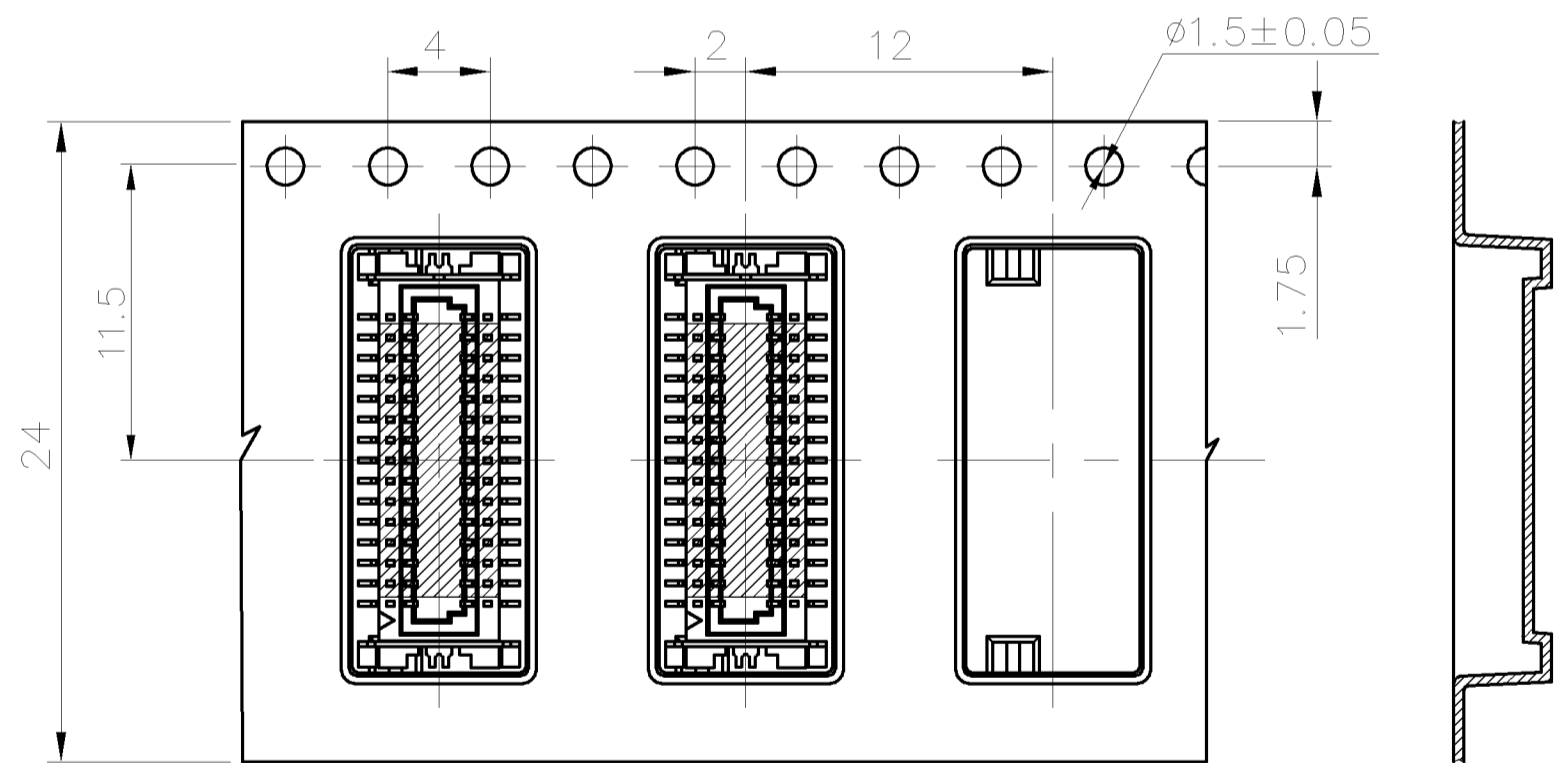
LOC	DIST	REVISIONS					
DW	-	P	LTR	DESCRIPTION	DATE	DWN	APVD
				SEE SHEET 1.			

NOTES:

- MATERIAL:
 BOX: FIBREBOARD, CORRUGATED, DOUBLE WALL.
 COVER TAPE: POLYSTYRENES, 120°C HEAT-RESISTANT TEMPERATURE, TRANSPARENT COLOR.
 CARRIER TAPE: POLYSTYRENES, 120°C HEAT-RESISTANT TEMPERATURE, TRANSPARENT COLOR.
 REEL: HIPS, 70°C HEAT-RESISTANT TEMPERATURE, BLUE COLOR.
 BAG: POLYETHYLENES, 100°C HEAT-RESISTANT TEMPERATURE, TRANSPARENT COLOR.
- EACH BAG SHALL BE INCLUDED DESICCANT.
- PEELING STRENGTH: 0.1 ~ 1.3 N (10 ~ 130 GRAMS).
- PEELING SPEED: 300 mm/min.



USER DIRECTION OF UNREELING →



15000 PCS	1500	10	9.5	3.26	24
QUTANITY	PCS/TAPE	REELS/BOX	G/W (Kg)	N/W (Kg)	NO. OF CONTACTS

THIS DRAWING IS A CONTROLLED DOCUMENT.		DWN	16NOV2009	Tyco Electronics Corporation	
DIMENSIONS: MM		CHK	16NOV2009	Taipei, Taiwan	
TOLERANCES UNLESS OTHERWISE SPECIFIED:		APVD	16NOV2009	NAME	
0 PLC ± -		W. KODAMA		Tyco Electronics	
1 PLC ± 0.3		PRODUCT SPEC		BOARD-TO-BOARD CONNECTOR, 0.8mm PITCH, FINE-STACK, RECEPTACLE	
2 PLC ± 0.2		APPLICATION SPEC		SIZE	
3 PLC ± -		WEIGHT		CAGE CODE	
4 PLC ± -		CUSTOMER DRAWING		DRAWING NO	
ANGLES ± 3'		SCALE		RESTRICTED TO	
FINISH		SHEET		REV	
		2 of 2		A1	