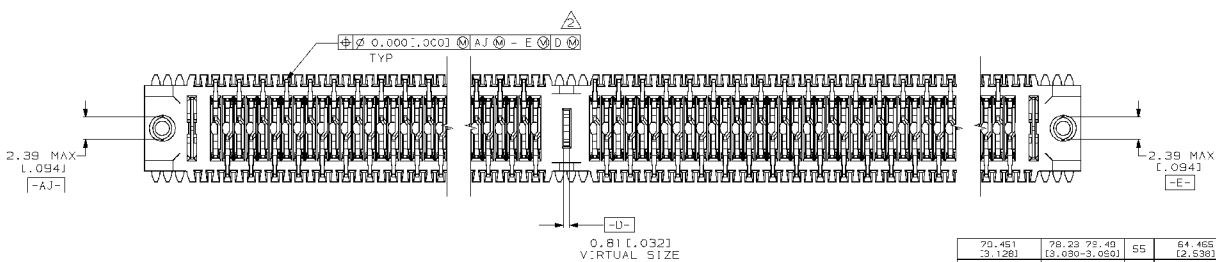
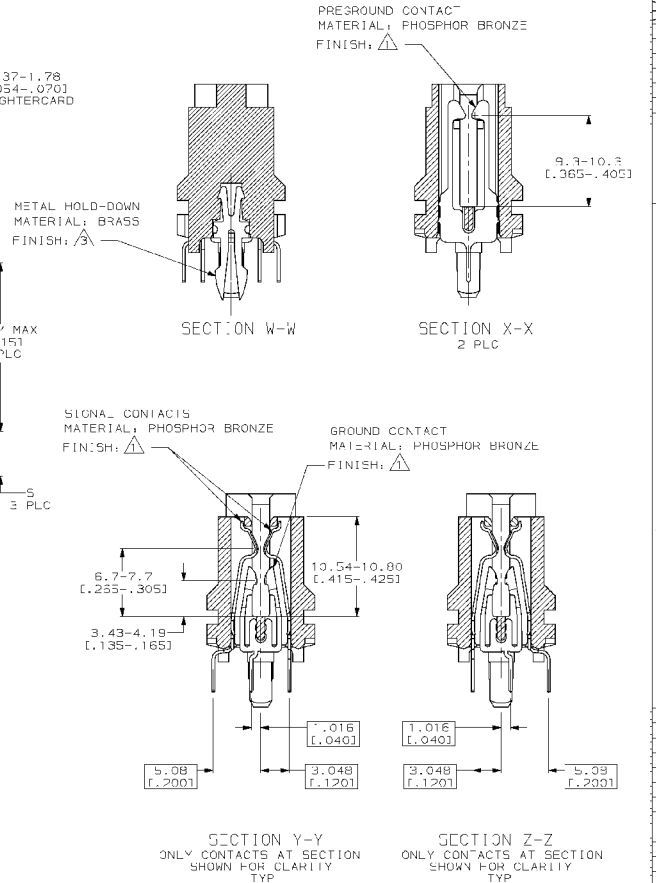
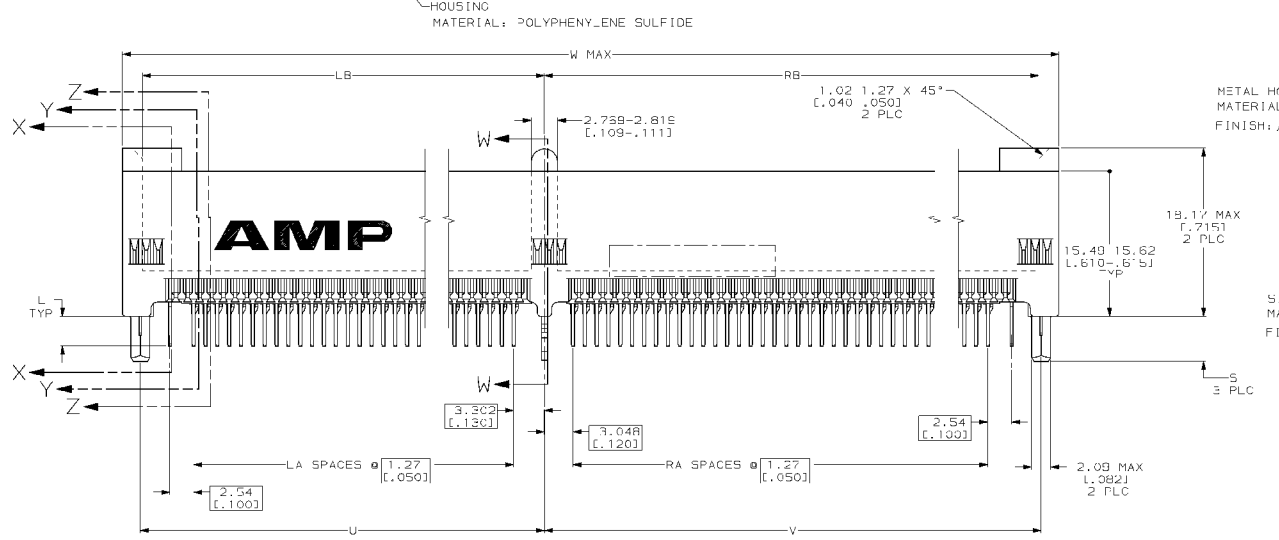
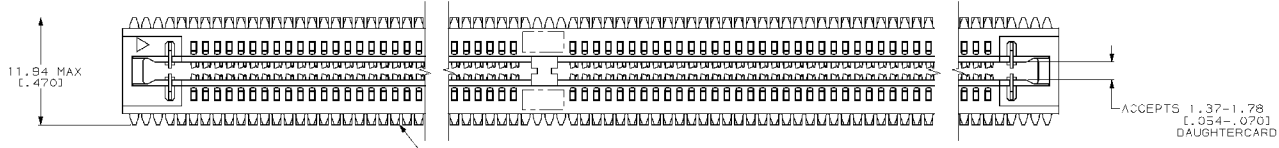


REV. NO.		DATE		DESCRIPTION		DATE	APP'D
0	AD	14		PRODUCT RELEASE		3/21/86	RB
A				REVISED PER 0430-0364-97		3/24/97	RB (M)



- Δ FINISH: .27 μ m [.000050] MIN THICK NICKEL PLATE ALL OVER. 0.76 μ m [.000030] MIN THICK GOLD PLATE OVER NICKEL IN CONTACT AREA AND 2.54 μ m [.000100] MIN THICK TIN-LEAD PLATE OVER NICKEL ON SOLDERLEAD.
- Δ THIS REQUIREMENT IS BASED ON A .02 [.032] MAXIMUM EFFECTIVE DIAMETER (DIAGONAL) OF THE SOLDERLEADS.
- Δ FINISH: .27 μ m [.000050] MIN THICK TIN PLATE.

79.451 [3.128]	78.23 79.40 [3.080-3.090]	55	64.465 [2.538]	62.25 63.50 [2.490-2.500]	43	146.46 [5.766]	78.64 78.60 [3.092-3.098]	69.55 63.70 [2.502-2.508]	63.627 [2.505]	4.70 4.95 [.185-.195]	2.02 2.43 [.115-.135]	.00	145244 1
RC	RB	RA	LC	LE	LA	W	V	U	T	S	L	NO. OF DUAL PINS	PAR. NUMBER

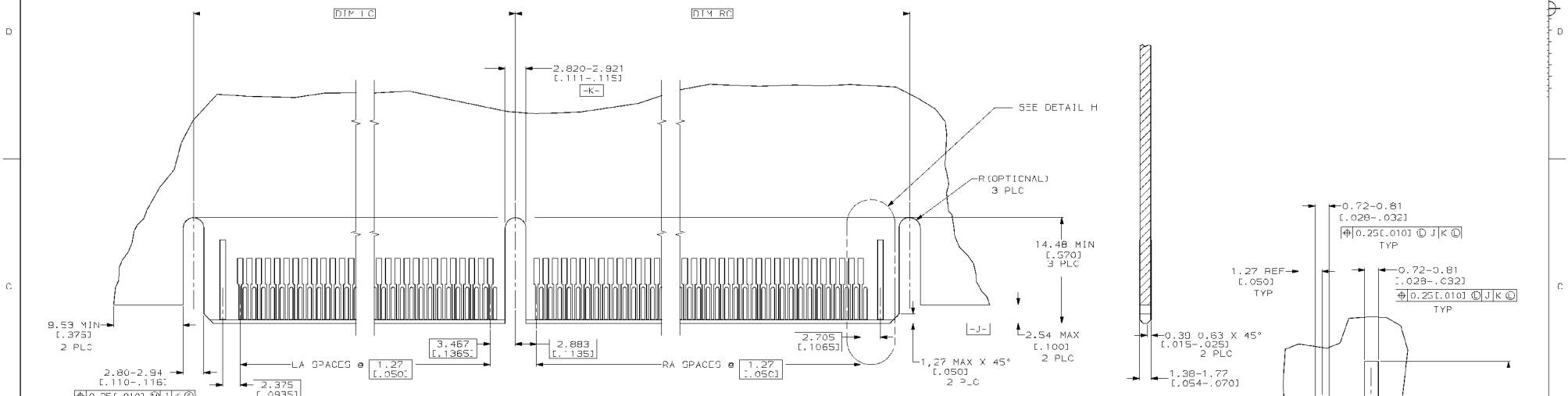


THIS DRAWING IS A CONTROLLED DOCUMENT FOR AMP INCORPORATED. IT IS SUBJECT TO CHANGE AND THE CONTROLLING ENGINEERING ORGANIZATION SHOULD BE CONTACTED FOR THE LATEST REVISION.

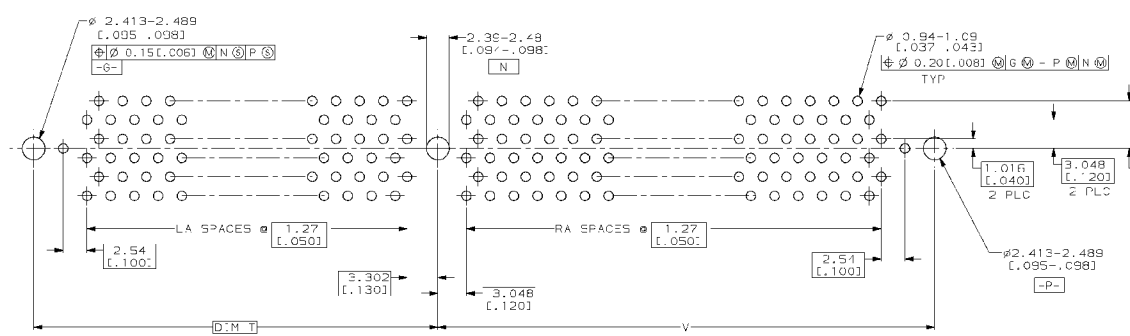
DR 3/21/86 R BROWN	DR 3/21/86 R BENDORF	AMP INCORPORATED Harrisburg, PA 17105-3506
AMP 3/21/86 R BENDORF	AMP 3/21/86 D SHAWER	NAME: CONNECTOR ASSEMBLY, DUAL POSN, HIGH SPEED, STANDARD EDGE
PRODUCT SPEC:	APPLICATION SPEC:	SIZE: CARE CODE DRAWING NO D 00779 C-145244
FINISH:	WEIGHT:	SCALE: 4:1 SHEET 1 OF 2

CUSTOMER DRAWING

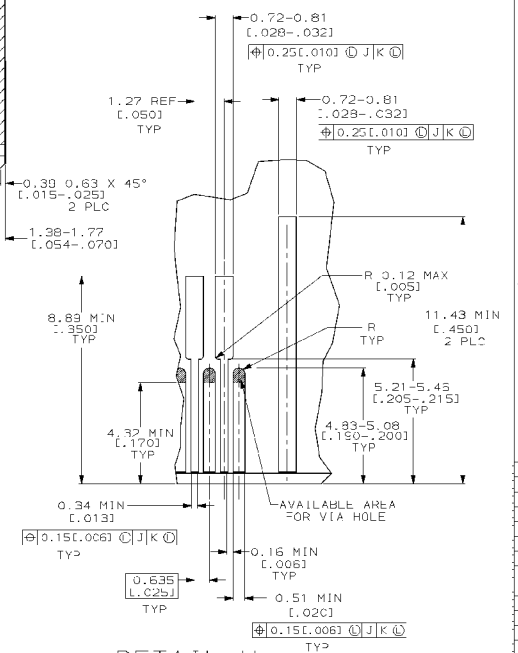
REV		DATE		DESCRIPTION		DATE		APP'D	
AD	14			A	SEE SHEET 1				



RECOMMENDED MATING BOARD EDGE CONFIGURATION



RECOMMENDED MOUNTING HOLE PATTERN
 (CONNECTOR SIDE SHOWN)



DETAIL H
 SCALE 10:1



THIS DRAWING IS A CONTROLLED DOCUMENT FOR AMP INCORPORATED. IT IS SUBJECT TO CHANGE AND THE CONTROLLING MANUFACTURING ORGANIZATION SHOULD BE CONTACTED FOR THE LATEST REVISION.

PART NO		AMP INCORPORATED Harrisburg, PA 17105-3506	
DO NOT SCALE PRINT. UNLESS SPECIFIED DIMENSIONS IN mm (INCHES) TOLERANCES ON: 3 PLC DEC ± 0.1 (0.001) ANGLES 4° ± 0.1	DR 3/21/96 R BROWNE	NAME	CONNECTOR ASSEMBLY, DUAL POSN, HIGH SPEED, STANDARD EDGE
FINISH	APP'D 3/21/96 D SAWYER	SIZE	CARE CODE DRAWING NO D 00779 C-145244
APPLICATION SPEC	PRODUCT SPEC	SCALE	4:1 SHEET 20-2
WEIGHT			CUSTOMER DRAWING