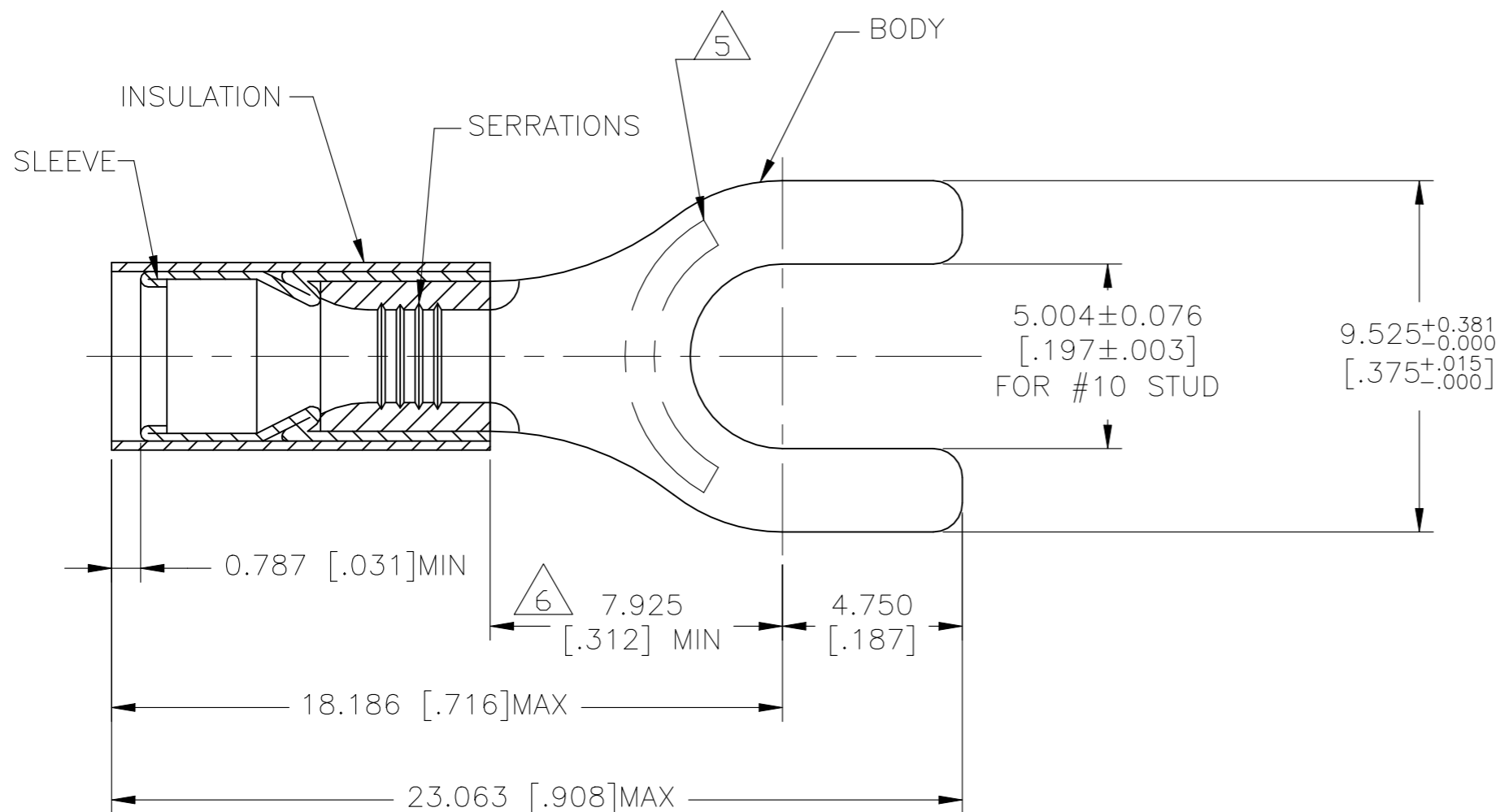


REVISIONS

P	LTR	DESCRIPTION	DATE	DWN	APVD
	H2	REVISED PER ECR-22-131479	18APR2022	LP	DCS

AMP WIRE RANGE	E13288 Listed	LR7189 Certified
16-14 AWG SOLID OR STRANDED	16-14 AWG SOLID OR STRANDED	16-14 AWG SOLID OR STRANDED

- 1 MATERIAL: BODY & SLEEVE - COPPER PER ASTM B152
INSULATION - NYLON PER ASTM D4066
- 2 BODY MATERIAL THK: 0.787±0.051[.031±.002]
- 3 WIRE INSULATION DIAMETER: Ø2.921[Ø.115] TO Ø4.318[Ø.170]



- 4 FINISH:
BODY & SLEEVE - TIN PLATE 0.00254[.000100]
MIN EXT THK PER ASTM B545
INSULATION COLOR - BLUE
- 5 STAMP AMP 16-14* APPROX AS SHOWN
- 6 APPLIES FROM EDGE OF METAL WIRE BARREL
TO CENTER OF STUD HOLE

QTY	PACKAGE TYPE	PART NO
100	LOOSE PIECE, BOX	8-32060-1
5000	TAPE & REEL	2-32060-1
1000	LOOSE PIECE	32060

AMP INCORPORATED
CUSTOMER SERVICE SYSTEMS

THIS DRAWING IS A CONTROLLED DOCUMENT.

DWN	jr_ruth	10NOV04
CHK	T MICHELUTTI	10NOV04
APVD	T MICHELUTTI	10NOV04
PRODUCT SPEC	UL 486A-B	
APPLICATION SPEC	114-2157	
WEIGHT	-	



NAME: TERMINAL, SPADE TONGUE, PIDG, WIRE SIZE: 16-14 AWG

FOR ADDITIONAL PRODUCT INFORMATION OR COPIES OF DRAWINGS AND TECHNICAL DOCUMENTS	PRODUCT INFORMATION CENTER 1-800-522-6752	MAX RECOMMENDED OPERATING TEMPERATURE: 105°C [221°F]
FOR APPLICATION TOOLING INFORMATION	TOOLING ASSISTANCE CENTER 1-800-722-1111	
FOR ORDER ENTRY	1-800-526-5142	WIRE CROSS SECTIONAL AREA RANGE, 1.04-2.62mm²[2.050-5.180] CIR MILS SOLID OR STRANDED

DIMENSIONS: mm [INCHES]	TOLERANCES UNLESS OTHERWISE SPECIFIED:
	0 PLC ± -
	1 PLC ± -
	2 PLC ± -
	3 PLC ± 0.127[.005]
	4 PLC ± -
	ANGLES ± -
MATERIAL	FINISH
1	4

SIZE	CAGE CODE	DRAWING NO	RESTRICTED TO
A3	00779	C-32060	-
CUSTOMER DRAWING		SCALE 8:1	SHEET 1 OF 1
		REV H2	