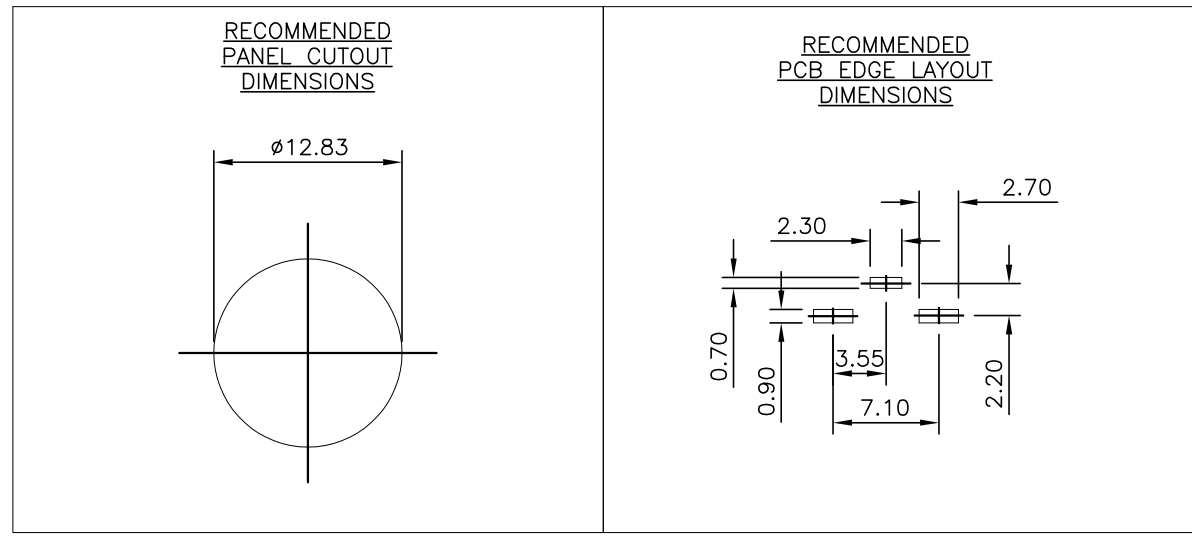
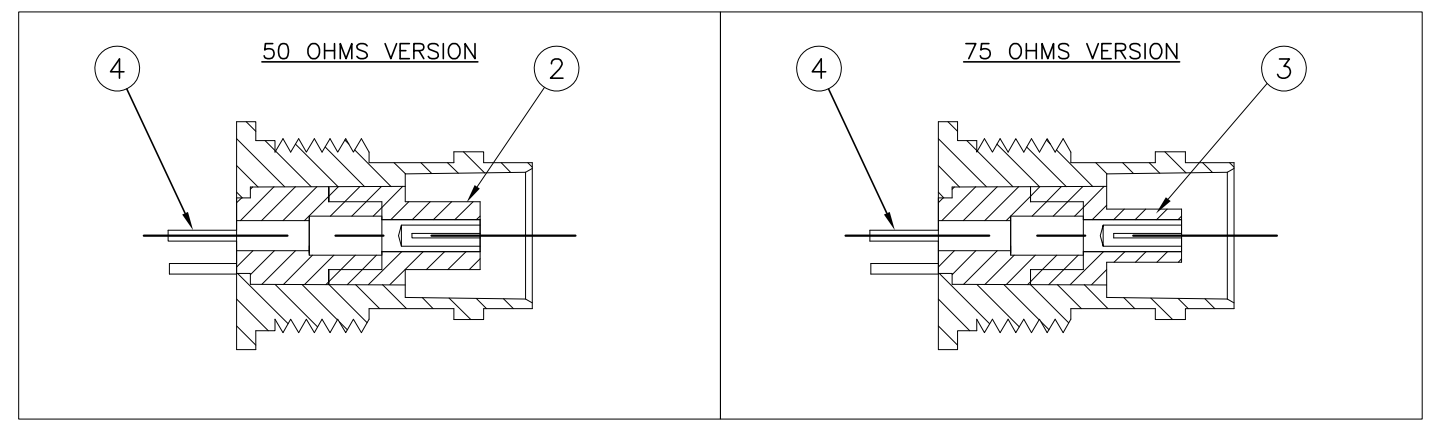
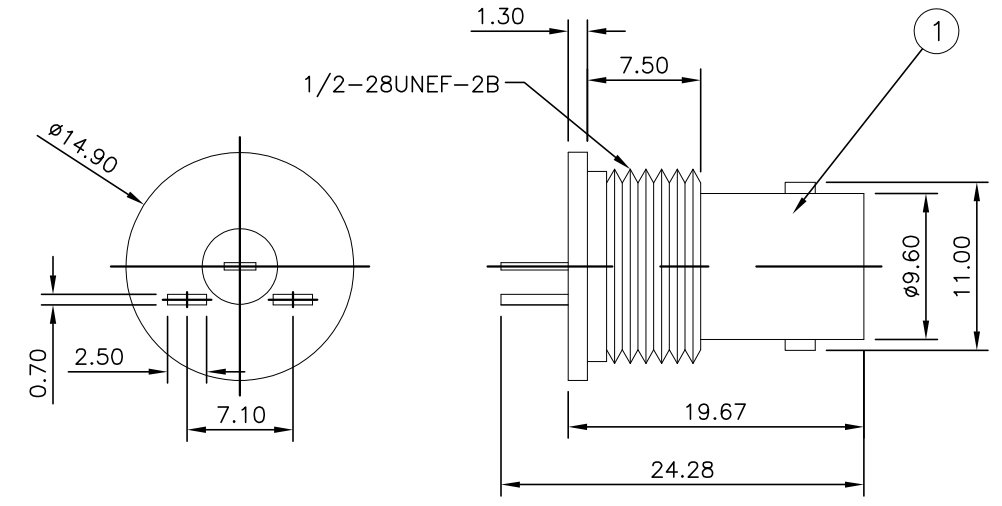


THIS DRAWING IS UNPUBLISHED. RELEASED FOR PUBLICATION MAR ,2006.
 © COPYRIGHT 2006 By - ALL RIGHTS RESERVED.

| LOC | DIST | REVISIONS | | | |
|-----|------|---------------|---------------------------|---------|--------|
| P | LTR | DESCRIPTION | DATE | DWN | APVD |
| E | B | D1 | REVISED PER ECO-11-005033 | 01APR11 | RK HMR |
| E | | ECO-12-014680 | 20Aug2012 | TITAN | MARTIN |

- NOTES**
- 1 100 TRAY PACK IN ACCORDANCE WITH AMP SPEC 107-3275
 - 2 SINGLE PACK IN ACCORDANCE WITH AMP SPEC 107-3275
 - 3 Au PLATING
 - 4 Ni PLATING
 - 5 FOR TECHNICAL DATA REFER TO YOUR LOCAL TE CONNECTIVITY SALES OFFICE
 - 6 ALL DIMENSIONS ARE NOMINAL FOR REFERENCE ONLY UNLESS OTHERWISE STATED



| | Obsolete | Obsolete | Obsolete | | | | | |
|-------------------|----------|----------|----------|------------|-------------------|---|-------------|------|
| | 1 | 1 | 1 | 1 | PHOS BRONZE | 3 | CONTACT | 4 |
| | 1 | 1 | - | - | POLYMETHYLPENTENE | | INSULATOR | 3 |
| | 1 | - | 1 | 1 | POLYMETHYLPENTENE | | INSULATOR | 2 |
| | 1 | 1 | 1 | 1 | ZINC ALLOY | 4 | BODY | 1 |
| | 5--3 | 5--2 | 5--1 | 5--0 | MATERIAL | | DESCRIPTION | ITEM |
| QUANTITY PER ASSY | | | | PARTS LIST | | | | |

THIS DRAWING IS A CONTROLLED DOCUMENT.

DWN RITA ZUO 14 Feb 09
 CHK ANSON MA 14 Feb 09
 APVD BOB ZHAO 14 Feb 09

STE TE Connectivity

NAME: BNC BULKHEAD SOCKET EDGE MOUNT

PRODUCT SPEC: 108-112000

APPLICATION SPEC: -

SIZE: A3 CAGE CODE: 00779 DRAWING NO: C-1634521 RESTRICTED TO: -

WEIGHT: -

CUSTOMER DRAWING SCALE: NTS SHEET: 1 OF 1 REV: E