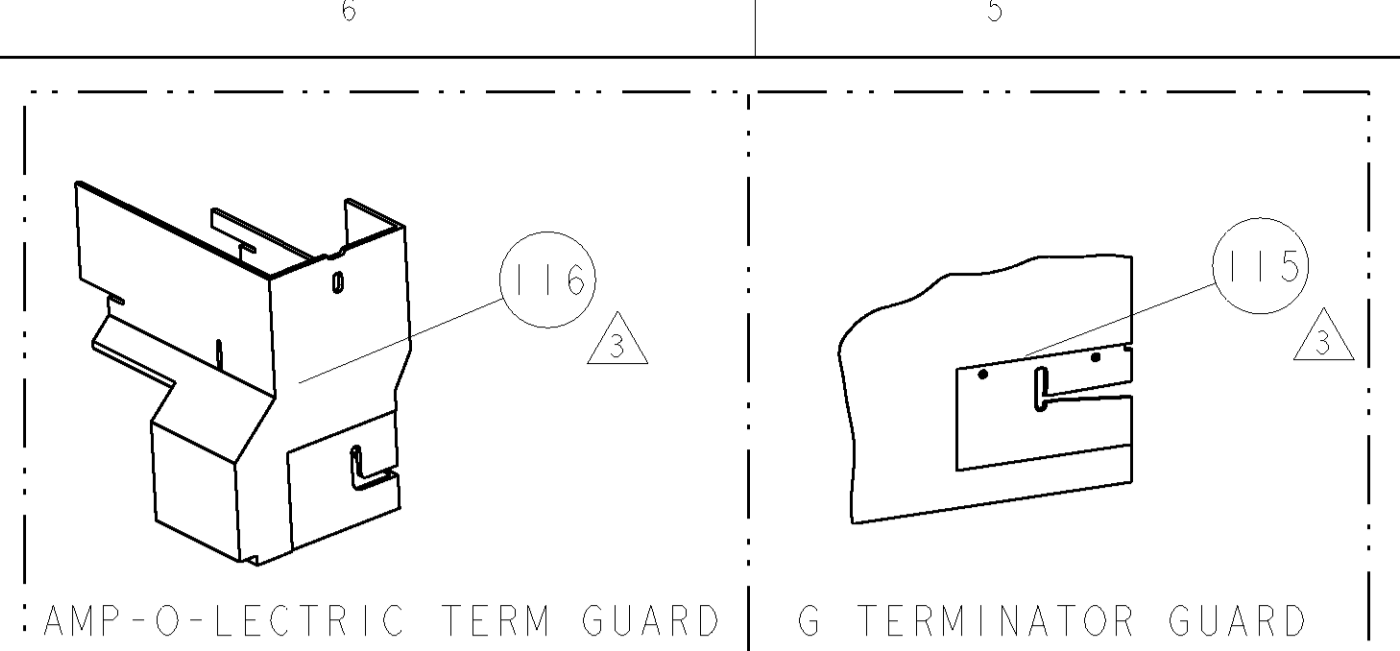


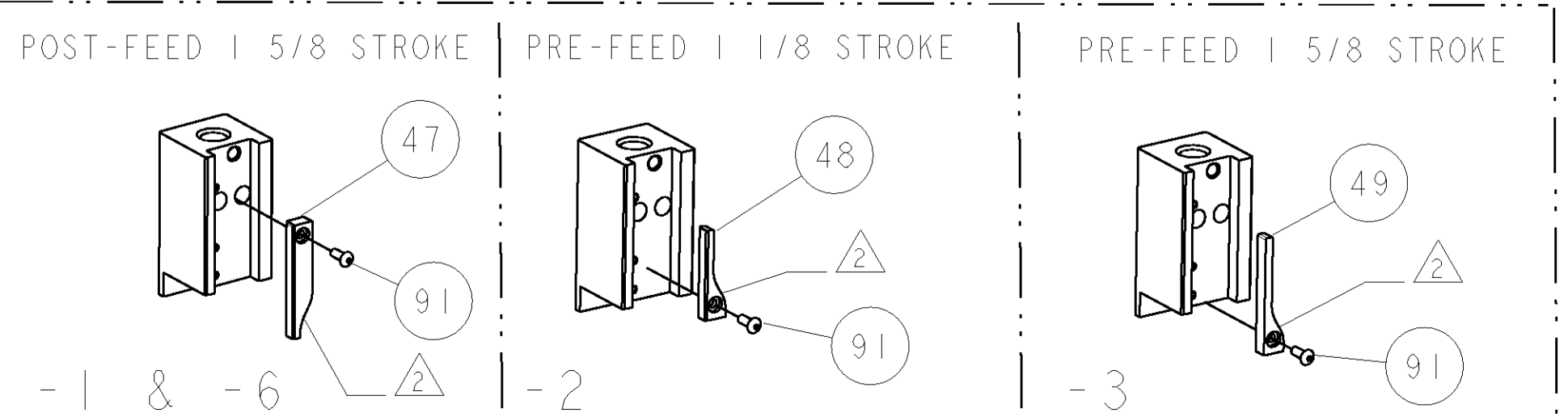
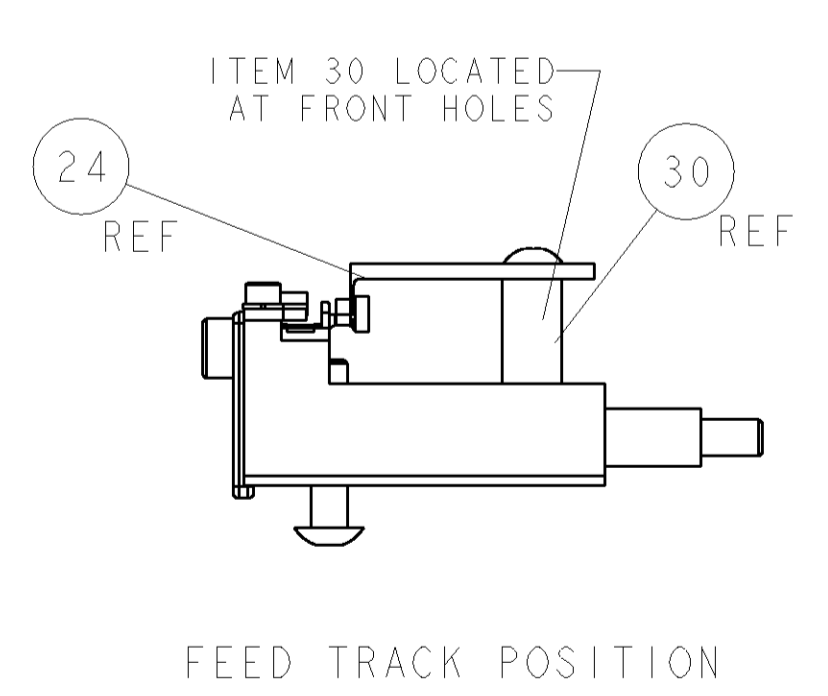
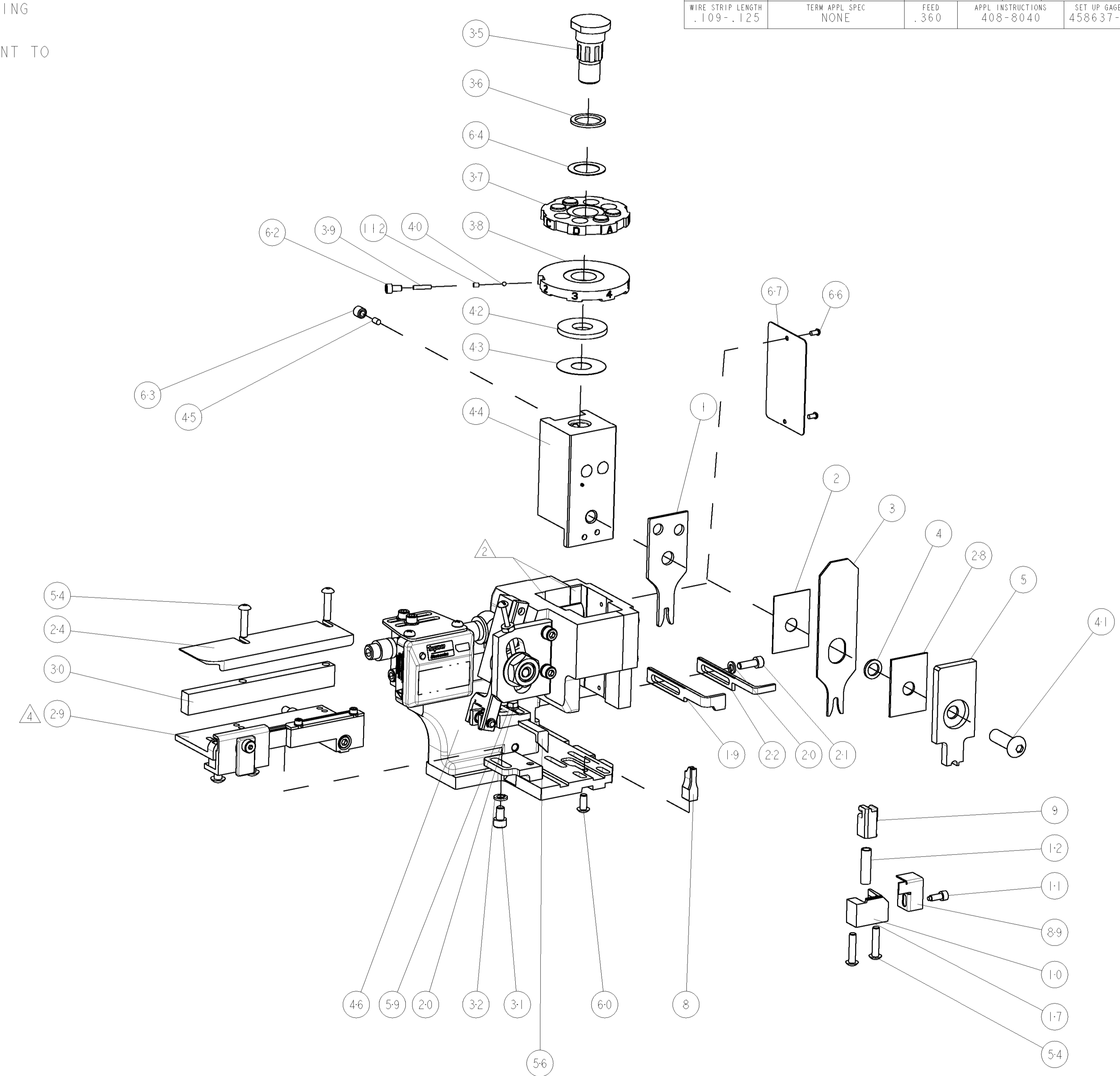
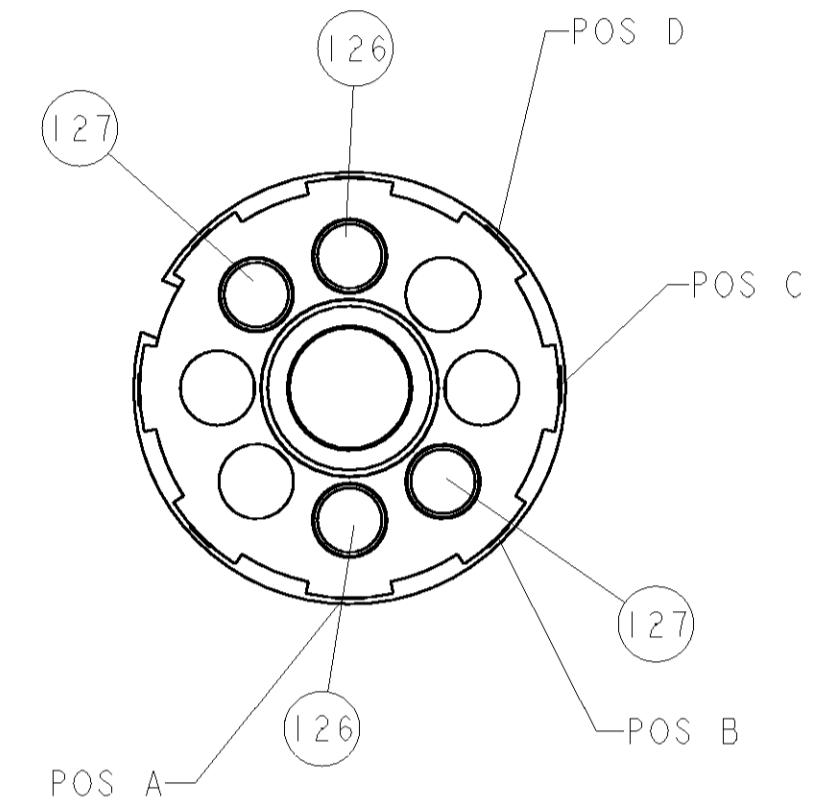
PART NUMBER	REV	FIRST USED	POWER UNIT	FEED TYPE	DESCRIPTION
1385327-1	C	122500-1	LEADMAKER	POST FEED	CUTS CARRIER
1385327-2	C	565435-5	BENCH MODEL K	PRE FEED	CUTS CARRIER
1385327-3	C	354500-1	BENCH MODEL G	PRE FEED	CUTS CARRIER
1385327-6	C	122500-1	LEADMAKER	POST FEED	CONTINUOUS CARRIER
7-1385327-7	C	-	-	-	SPARE PARTS



TERMINAL NAME: TERMINAL, CONTACT				
TYCO PN	MFR PN	ARK-LES TERMINAL - AMP CRIMP SPECS		
1572009	3800-S91A			
1572853	3800-S176A	PAD LTR	CRIMP HEIGHT	WIRE SIZE
-	-	A	.063±.002[1.60±0.05mm]	16 AWG
-	-	B	.057±.002[1.45±0.05mm]	18 AWG
-	-	C	-	-
-	-	D	-	-
		CRIMP	SIZE	TYPE
-	-	WIRE	.110 [2.79mm]	F 16-18 AWG
-	-	INSUL	.140 [3.56mm]	O Ø.059-.084
WIRE STRIP LENGTH	TERM APPL SPEC	FEED	APPL INSTRUCTIONS	SET UP GAGE
.109-.125	NONE	.360	408-8040	458637-1

LOC	DIST	REVISIONS					
A	66	P	LTR	DESCRIPTION	DATE	DWN	APPR
		C		ECR-05-015166	08NOV2005	LG	TE

- △ RECOMMENDED SPARE PARTS
- △ GREASE LIGHTLY
- △ GUARD MUST BE IN PLACE WHEN OPERATING APPLICATOR IN A BENCH MACHINE
- △ WHEN SWITCHING TERMINALS, ADJUSTMENT TO ITEM 29 IS REQUIRED.



-	2	2	2	2	-	354779-5	PIN, WIRE DISC, .3015	127
-	2	2	2	2	-	9-354778-1	PIN, WIRE DISC, .2950	126
-	-	-	REF	-	...	455749-1	GUARD WINDOW	116
-	-	REF	-	-	...	679532-1	INSERT, GUARD	115
-	1	1	1	1	-	690603-1	SPRING ASSIST AMP-O-MATOR APPLICATOR	112
-	1	1	1	1	-	1-21002-7	SCR, BTN SKT HD CAP 6-32 X .375	91
-	1	1	1	1	-	318563-1	GUARD, FRONT CHIP	89
-	1	1	1	1	-	4088040	SF APPL INST 408-8040	72
-	1	1	1	1	-	217238-1	GENERAL INSTRUCTION PKG	71
-	1	1	1	1	-	461264-1	PLATE, IDENTIFICATION	67
-	2	2	2	2	-	21017-2	SCREW, DRIVE	66
-	1	1	1	1	-	986950-1	WASHER, FLAT PRECISION	64
-	1	1	1	1	-	21009-2	SCR, SET, SELF LOCKING 1/4-20 X .250	63
-	1	1	1	1	-	23030-1	SCR, SKT HD CAP 6-32 X .25	62
-	1	1	1	1	-	22733-8	SCR, BHSC, SELF-LOCKING, 8-32 X .375	60
-	1	1	1	1	-	2-22603-0	SCR, HEX HD CAP 8-32 X .312	59
-	1	1	1	1	-	458537-2	PAWL, FEED	56
-	2	2	2	2	-	2-21002-4	SCR, BTN SKT HD CAP 8-32 X .750	54
-	-	-	1	-	...	690602-6	CAM, PRE FEED, 1 5/8	49
-	-	-	1	-	...	690602-5	CAM, PRE FEED, 1 1/8	48
-	1	-	-	1	-	690501-4	CAM, POST FEED, 1 5/8	47
-	1	1	1	1	-	459456-1	APPL. BASIC SUB ASSY (SIDE WISE MQCA)	46
-	1	1	1	1	-	690191-1	PLUG, NYLON	45
-	1	1	1	1	-	455673-1	RAM, SIDE FEED	44
-	1	1	1	1	-	690125-1	SHIM SUB-ASSY	43
-	1	1	1	1	-	690124-1	WASHER, RAM (.115)	42
-	1	1	1	1	-	7-21002-9	SCR, BTN SKT HD CAP 5/16-24 X 1.00	41
-	1	1	1	1	-	23241-6	BALL, STEEL	40
-	1	1	1	1	-	690170-1	SPRING, COMPRESSION	39
-	1	1	1	1	-	690142-5	DISC, INSULATION	38
-	1	1	1	1	-	354777-1	WIRE DISC, ASSEMBLY	37
-	1	1	1	1	-	22480-5	SPRING, COMPRESSION	36
-	1	1	1	1	-	690212-1	POST, RAM	35
-	2	2	2	2	-	2-21002-4	SCR, BTN SKT HD CAP 8-32 X .750	33
-	1	1	1	1	-	21024-5	WASHER, SPRG LOCK, REG NO 10	32
-	1	1	1	1	-	7-21000-6	SCR, SKT HD CAP 10-32 X .312	31
-	1	1	1	1	-	1320908-6	SPACER, STRIP GUIDE	30
-	1	1	1	1	-	1633091-1	SUB-ASSEMBLY, FEEDTRACK	29
-	1	1	1	1	-	1-455888-0	SPACER, CRIMPER	28
-	1	1	1	1	-	1320928-2	PLATE, STRIP GUIDE	24
-	1	-	-	1	-	690472-2	STRIPPER	22
-	1	1	1	1	-	2-21000-7	SCR, SKT HD CAP 8-32 X .500	21
-	2	2	2	2	-	21024-4	WASHER, SPRG LOCK, REG NO 8	20
-	-	1	1	-	-	691353-1	STRIPPER	19
-	1	-	-	-	-	679625-1	SHEAR HOLDER, FRONT (NO CUT)	17
-	1	1	1	1	-	3-22280-3	SPRING, COMPRESSION	12
-	1	1	1	1	-	690461-1	STOP, SHEAR	11
-	-	1	1	1	-	690459-1	SHEAR HOLDER, FRONT	10
-	1	1	1	1	-	454276-1	FLOATING SHEAR, FRONT	9
-	1	1	1	1	-	2-662189-7	ANVIL, COMBINATION .110	8
-	1	1	1	1	-	1-455889-4	DEPRESSOR, SHEAR	5
-	1	1	1	1	-	2-238011-0	BLOCK, CRIMPER SPACER	4
-	1	1	1	1	-	3-904741-3	CRIMPER, INSUL O PREMIUM	3
-	1	1	1	1	-	455888-4	SPACER, CRIMPER	2
-	1	1	1	1	-	5-456408-4	CRIMPER, WIRE PREMIUM	1

DIMENSIONS:		TOLERANCES UNLESS OTHERWISE SPECIFIED:	
INCHES	0 PLC ±.01	1 PLC ±.01	2 PLC ±.01
	3 PLC ±.001	4 PLC ±.001	ANGLES ±.0001

APPROVED: R. O. WILSON	DATE: 06SEP01	NAME: T. ELBIN	SCALE: 3:5
DESIGNED: R. O. WILSON	DATE: 06SEP01	NAME: T. ELBIN	SCALE: 3:5
MATERIAL: -		FINISH: -	
WEIGHT: -		CUSTOMER DRAWING	

TYCO Electronics	Tyco Electronics	Harrisburg, PA 17105-3608
PRODUCT SPEC: SIDE FEED HDM APPLICATOR		
SIZE: A1	CAGE CODE: 00779	DRAWING NO: C-1385327
SHEET 1 OF 1		