



LAYOUT SHOWN AS EXAMPLE

Keying Shown as example

**CHARACTERISTICS**

- Standard : Based on MIL-DTL-38999 Series III
- Shell Material : Composite
- Shell Plating : Nickel
- Insulator : Thermoplastic
- Contacts : Copper Alloy
- Seals & Grommet : Silicon Elastomer
- Contact Plating : Gold over copper Alloy 0.8µm minimum
- Durability : 500 Mating cycles
- Delivered with Souriau contacts and Accessories
- Temperature Range : -65°C to +200°C
- Salt Spray : 2000 hours
- Mass : 9.1 g ± 10%

| Connector dimension |             |
|---------------------|-------------|
| Dim                 | Nominal     |
| P                   | 3.25±0.2    |
| PP                  | 4.93±0.2    |
| R1                  | 20.62       |
| R2                  | 18.26       |
| S                   | 26.2±0.3    |
| V'                  | 19.5+1.4/-0 |
| W'                  | 2.1/3.65    |
| Z'                  | 32 Max      |
| VV THREAD           | M15x1-6g    |

SOURIAU shall not be liable for any non-conformity or damage due to a use of the Products which does not comply with the Specifications issued by either of the Parties or by a third party (professional recommendation, technical notice.)

|         |                             |
|---------|-----------------------------|
| Country | Jurisdiction & Control List |
| FR      | Not Listed                  |

**PN: 8D011M22AN**

|              |            |                          |                         |
|--------------|------------|--------------------------|-------------------------|
| A            | 07-10-2016 | First Release            |                         |
| ISS          | DATE       | Latest modification - by | MOD N°                  |
| Designed By: |            | Date:                    | <b>CUSTOMER DRAWING</b> |

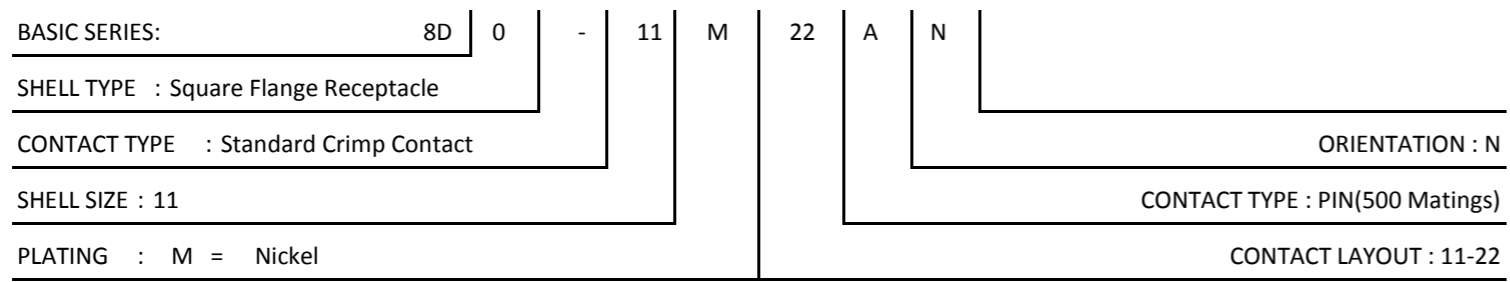
**TITLE** Composite Receptacle 8D series

|       |  |                                |                 |
|-------|--|--------------------------------|-----------------|
| SCALE |  | General linear Tolerances: ±-- | NPRDS / PROJECT |
| NA    |  |                                | <b>859</b>      |

**SOURIAU** WWW.SOURIAU.COM

This document is the property of SOURIAU it must not be reproduced or communicated without permission

|           |                                    |  |            |
|-----------|------------------------------------|--|------------|
| FORMAT    | <b>SOURIAU DRG N° 8D011M22AN-C</b> |  | SHEET      |
| <b>A3</b> |                                    |  | <b>1/2</b> |

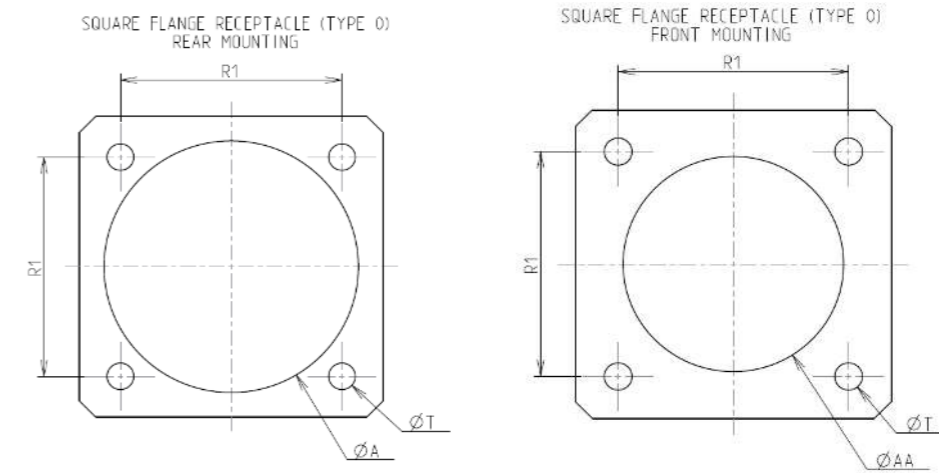


Contact Layout



| 11-22 |        |        |
|-------|--------|--------|
| Ctc   | X      | Y      |
| A     | 1.905  | 1.905  |
| B     | 1.905  | -1.905 |
| C     | -1.905 | -1.905 |
| D     | -1.905 | 1.905  |

Panel Cutout



| Dim | Nominal    |
|-----|------------|
| ØA  | 20.22 min  |
| ØAA | 15.88 min  |
| R1  | 20.62      |
| ØT  | 3.25 ±0.13 |

SOURIAU shall not be liable for any non-conformity or damage due to a use of the Products which does not comply with the Specifications issued by either of the Parties or by a third party (professional recommendation, technical notice.)

| Country | Jurisdiction & Control List |
|---------|-----------------------------|
| FR      | Not Listed                  |

PN: 8D011M22AN

|                |                                       |                            |   |
|----------------|---------------------------------------|----------------------------|---|
| A              | 07-10-2016                            | First Release              |   |
| ISS            | DATE                                  | Latest modification - by   | MOD N°  |
| Designed By:   |                                       | Date:                      | <b>CUSTOMER DRAWING</b>   |
| <b>TITLE</b>   | <b>Composite Receptacle 8D series</b> |                            |   |
| SCALE          |                                       | General linear Tolerances: | NPRDS / PROJECT   |
| NA             |                                       | ±--                        | <b>859</b>  |
| <b>SOURIAU</b> | <b>WWW.SOURIAU.COM</b>                |                            | This document is the property of SOURIAU it must not be reproduced or communicated without permission |
| FORMAT         | <b>SOURIAU DRG N° 8D011M22AN-C</b>    |                            | SHEET 2/2   |