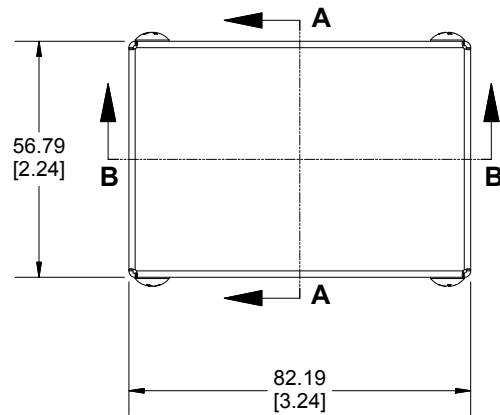
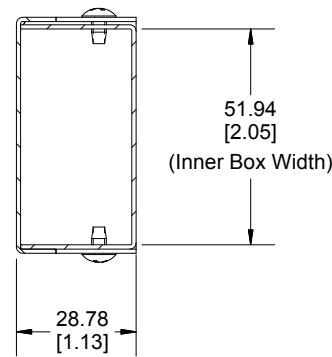


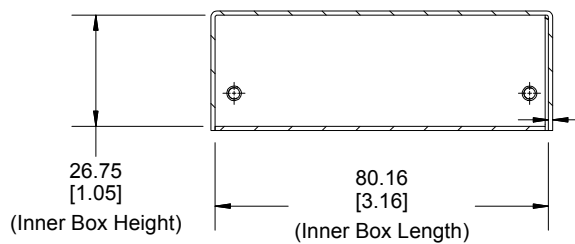
Top View of Assembly



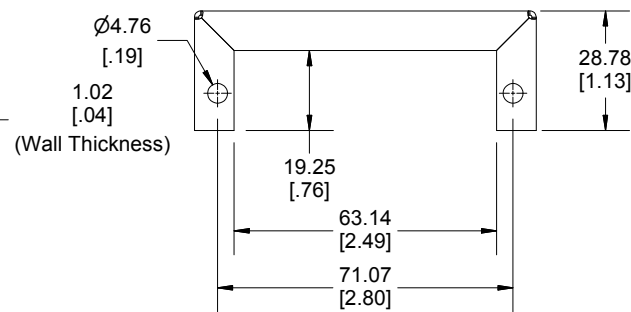
**SECTION A-A
End View of Assembly**



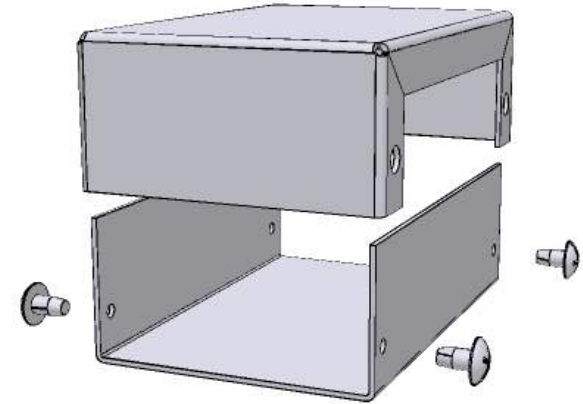
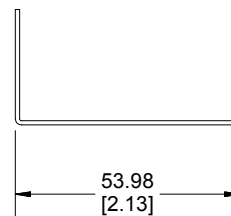
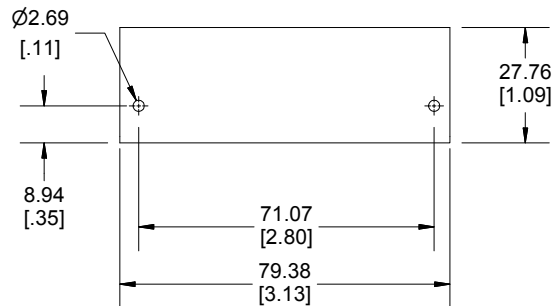
**SECTION B-B
Side View of Assembly**



Cover



Bottom



Enclosures can be Factory Modified (Milling, Drilling, Printing etc.)
Contact Factory mjm@hammondmfg.com for quotes
Solid models of this enclosure available in STEP or IGES.

NOTE

Purchased assembly includes bottom, cover and 4 cover screws.
Bottom and cover are made from 0.04" Aluminum Panels.

PART NUMBERS

1411C Enclosure

Natural Finish Enclosure 1411CU

ASA 61 Grey Enclosure 1411C

ACCESSORIES

Plated Cover Screws (Pkg 6) 1421J6

[6-32 x 1/4" Self-Tapping Screws]

**HAMMOND
MANUFACTURING™**

1411C

www.hammondmfg.com

Dimensions:
mm
[inches]