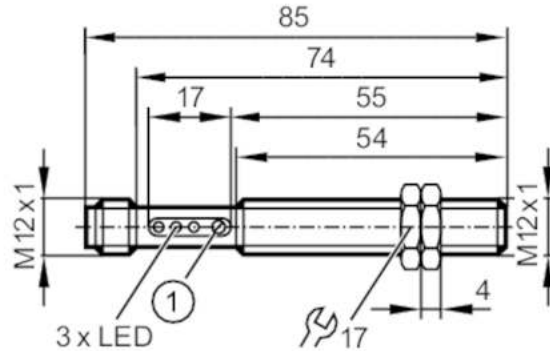




## Retro-reflective sensor

OFP-FNKG/US-100



1 potentiometer



### Product characteristics

Type of light	red light
Housing	threaded type

### Application

Special feature	polarisation filter; Function check output
Function principle	Retro-reflective sensor

### Electrical data

Operating voltage [V]	10...36 DC
Current consumption [mA]	< 35
Protection class	II
Reverse polarity protection	yes
Type of light	red light
Wave length [nm]	660

### Outputs

Electrical design	NPN
Output function	light-on/dark-on mode; (programmable)
Max. voltage drop switching output DC [V]	2.5
Function check output	yes
Max. voltage drop of function check output [V]	3.5
Max. current load for function check output [mA]	10
Permanent current rating of switching output DC [mA]	200
Switching frequency DC [Hz]	320
Short-circuit protection	yes
Type of short-circuit protection	pulsed
Overload protection	yes

### Detection zone

Range referred to prismatic reflector [m]	0.2...0.8; (Prismatic reflector Ø 80 E20005)
---	--

# OF5062



## Retro-reflective sensor

OFP-FNKG/US-100

Range adjustable	yes
Max. light spot diameter [mm]	70
Light spot dimensions refer to	at maximum range
Polarisation filter available	yes

### Operating conditions

Ambient temperature [°C]	-25...60
Protection	IP 65

### Tests / approvals

EMC	EN 60947-5-2	
	EN 55011	class B
MTTF [years]	609	

### Mechanical data

Weight [g]	40.5
Housing	threaded type
Dimensions [mm]	M12 x 1 / L = 74
Thread designation	M12 x 1
Materials	housing: brass white bronze coated
Lens material	PMMA

### Displays / operating elements

Display	switching status	1 x LED, yellow
	operation	1 x LED, green
	function	1 x LED, red

### Accessories

Items supplied	lock nuts: 2 screwdrivers
----------------	------------------------------

### Remarks

Pack quantity	1 pcs.
---------------	--------

### Electrical connection

Connector: 1 x M12; coding: A

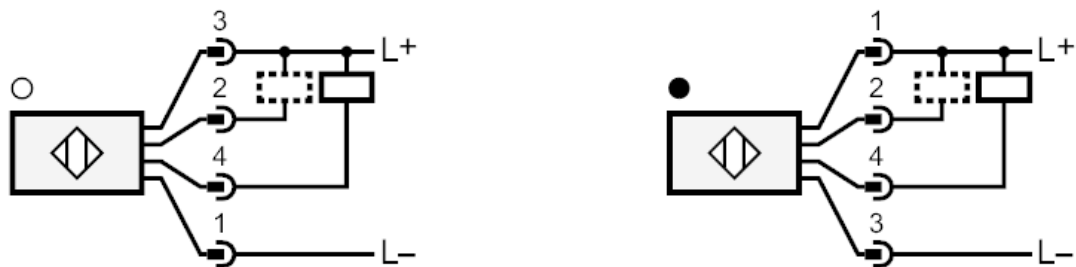




## Retro-reflective sensor

OFP-FNKG/US-100

### Connection



2 Function check output

### Diagrams and graphs

excess gain graph

