
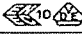
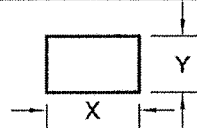

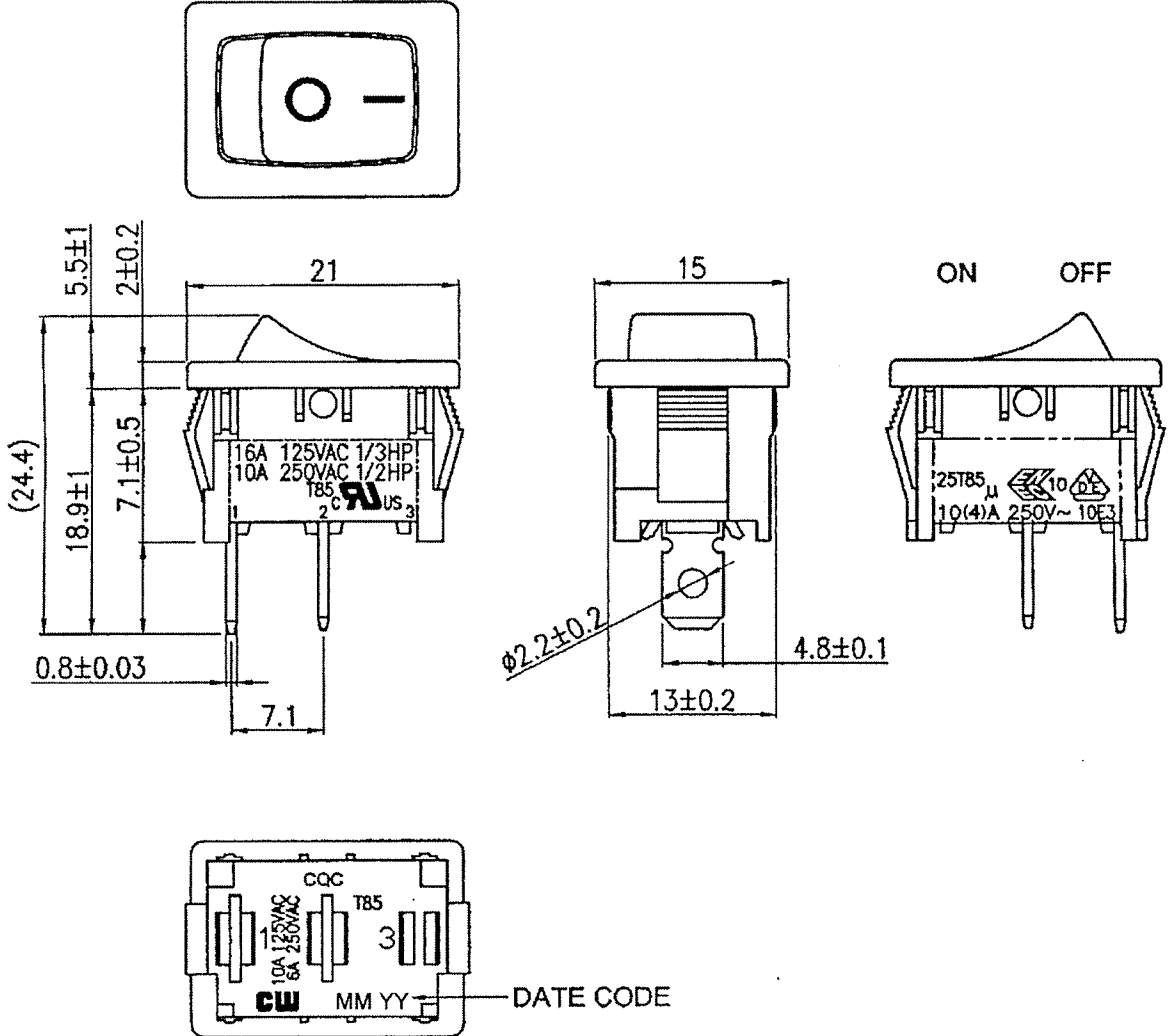


THIS INFORMATION IS CONFIDENTIAL AND PROPRIETARY TO CW INDUSTRIES INCORPORATED AND ITS AFFILIATES. IT MAY NOT BE DISCLOSED TO ANYONE, OTHER THAN CW INDUSTRIES PERSONNEL, WITHOUT WRITTEN AUTHORIZATION FROM CW INDUSTRIES INCORPORATED, SOUTHAMPTON, PENNSYLVANIA USA.

Rating	16A 125VAC 1/3HP	C  US	Mounting Hole		Circuit Diagram												
	10A 250VAC 1/2HP																
	10(4)A 250V ~	CQC															
	10A 125VAC 6A250VAC																
Contact Resistance	50m ohm max.		<table border="1"> <thead> <tr> <th>Thickness</th> <th>X</th> <th>Y</th> </tr> </thead> <tbody> <tr> <td>0.75 - 1.25</td> <td>19.2 - 0.1</td> <td>13.0 + 0.1</td> </tr> <tr> <td>1.25 - 2.00</td> <td>19.4 - 0.1</td> <td>13.0 + 0.1</td> </tr> <tr> <td>2.00 - 3.00</td> <td>19.8 - 0.1</td> <td>13.0 + 0.1</td> </tr> </tbody> </table>		Thickness	X	Y	0.75 - 1.25	19.2 - 0.1	13.0 + 0.1	1.25 - 2.00	19.4 - 0.1	13.0 + 0.1	2.00 - 3.00	19.8 - 0.1	13.0 + 0.1	
Thickness	X	Y															
0.75 - 1.25	19.2 - 0.1	13.0 + 0.1															
1.25 - 2.00	19.4 - 0.1	13.0 + 0.1															
2.00 - 3.00	19.8 - 0.1	13.0 + 0.1															
Insulation Resistance	DC 500V 100M ohm min.																
Dielectric Strength	AC 1500V 1 minute																
Operating Temperature	-25°C ~ 85°C																
Switch Function	2P SPST ON - OFF																

BASE COLOR: Black
 BUTTON COLOR: Black
 PRINTED: White, hot stamping



Tolerances ±0.3 Unless Otherwise Specified

RoHS Compliant

1 Updated ratings & views. 3-01-2013.

CW INDUSTRIES
 Southampton, Pa. 18966
 Tel 215.355.7080/www.cwind.com

Date Drawn: 12/22/09
 Title: **ROCKER SWITCH**

Rev. 1
 Unit: mm
 CW P/N:

Checked By: *G. Gold*
GRB066A02BB2